



**OPAL**  
ULTRA

**Installation and Operation Manual**  
**Manuel d'installation et d'utilisation**  
**Installations- und Betriebshandbuch**  
**Manual de instalación y funcionamiento**  
**安装和操作手册**



[www.waterco.com](http://www.waterco.com)

**WATERCO**  
water, the liquid of life

[www.waterco.com](http://www.waterco.com)

**⚠ WARNING**

This equipment must be installed and serviced by a qualified technician. Improper installation can create electrical hazards which could result in property damage, serious injury or death. Improper installation will void the warranty.

**⚠ AVERTISSEMENT**

L'installation et l'entretien de cet équipement doivent être confiés à un technicien qualifié. Une mauvaise installation peut présenter des risques électriques pouvant entraîner des préjudices matériels, des blessures graves ou la mort. Toute mauvaise installation annule la garantie.

**⚠ WARNUNG**

Dieses Gerät muss von einem qualifizierten Techniker installiert und gewartet werden. Eine unsachgemäße Installation kann elektrische Gefahren erzeugen, die zu Sachschäden, schweren Verletzungen oder zum Tod führen können. Eine unsachgemäße Installation führt zum Erlöschen der Garantie.

**⚠ ADVERTENCIA**

El equipo lo debe instalar y mantener un técnico cualificado. La instalación incorrecta puede originar riesgos de tipo eléctrico que pueden causar daños materiales, lesiones graves o la muerte. La instalación incorrecta anulará la garantía.

**⚠ 警告**

本设备必须由具备相关资质的人员安装和维护。安装不当易造成电气隐患，进而导致财产损失、人员伤亡。若本设备安装不当，其所附质保将随即作废。



**Notice to Installer/Consignes destinées à l'installateur/Hinweis für den Installateur/Aviso para el personal de instalación/装人员须知**

This manual contains important information about the installation, operation and safe use of this product. Once the product has been installed this manual must be given to the owner/operator of this equipment.

Le présent manuel contient des informations importantes relatives à l'installation, au fonctionnement et à l'utilisation sûre de ce produit. Une fois le produit installé, ce manuel doit être remis au propriétaire ou à l'opérateur de l'équipement.

Dieses Handbuch enthält wichtige Informationen über die Installation, den Betrieb und die sichere Verwendung dieses Produkts. Nach der Installation des Produkts muss dieses Handbuch dem Besitzer bzw. Bediener dieses Geräts übergeben werden.

Este manual contiene información importante sobre la instalación, el funcionamiento y el uso seguro de este producto. Una vez que se haya instalado el producto, este manual se debe entregar al propietario/operario del equipo.

本手册内含本产品安装、操作及安全使用的重要说明。产品安装完成后，必须将本手册交给本设备的所有者/操作者。

**Note/Remarque/Hinweis/Nota/注意:**

# Table of Contents

<b>Waterco Ultra Cartridge Filters .....</b>	<b>01</b>
<b>Installation .....</b>	<b>01</b>
<b>Dimensions .....</b>	<b>01</b>
<b>Specifications .....</b>	<b>02</b>
<b>Head Loss .....</b>	<b>02</b>
<b>Typical Installation .....</b>	<b>03</b>
<b>Plumbing .....</b>	<b>04</b>
<b>Plumbing Connection .....</b>	<b>05</b>
<b>Start Up Procedure .....</b>	<b>06</b>
<b>Maintenance .....</b>	<b>06</b>
<b>General Maintenance Guide .....</b>	<b>08</b>
<b>Winterising .....</b>	<b>08</b>
<b>Trouble Shooting Guide .....</b>	<b>09</b>
<b>Warranty .....</b>	<b>09</b>



**Note:** Direct access to the Waterco website for additional details on the Opal Ultra Cartridge Filter.

# THE WATERCO OPAL ULTRA CARTRIDGE FILTERS

The Waterco Opal Ultra Cartridge Filters do not require a media such as sand or D.E powder to operate, instead the filter contains a cartridge element which is easily removed to clean or replace.

All Opal Cartridge Filters are ideal for use in swimming pool and spas. The Waterco Opal Ultra Cartridge Filters is also ideal for use when backwashing is impractical.

## INSTALLATION

Be sure to comply with the local plumbing codes.

Be sure that all provisions for wastewater disposal meet local, state or national codes. Do not discharge water where it will cause flooding or damage.

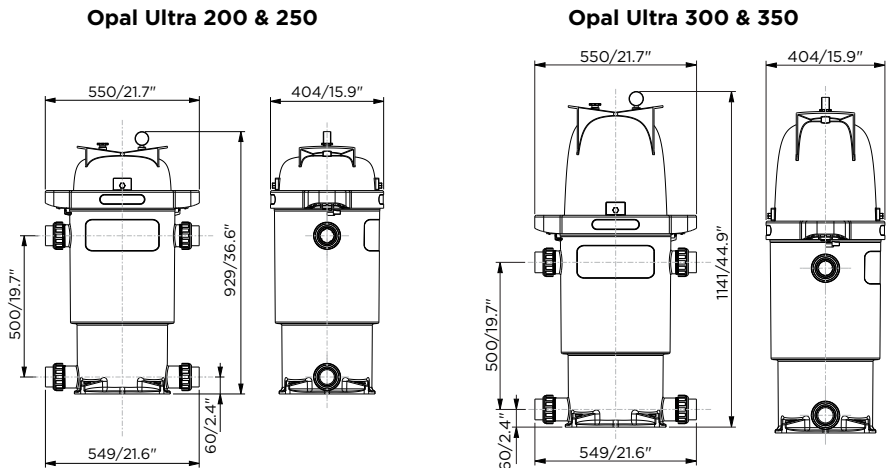
If the incoming water pressure is higher than the maximum operating pressure of 350kPa/3.5Bar/50psi, a Pressure Regulating Valve (PRV) must be installed upstream of the filter inlet.

The PRV should be set to 90% of the maximum operating pressure of the tank.

If the incoming water flow is less than the filter's minimum flow requirements, the filter's filtration efficiency will be affected, please consult Waterco.

Remove the cartridge filter from the carton and install the pressure gauge into the threaded port on the filter lid provided. Using Teflon, wrap once around the brass pressure gauge thread in a clockwise direction and screw into the threaded lid port.

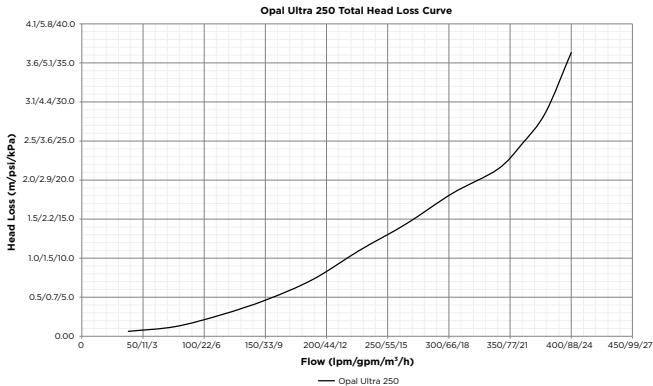
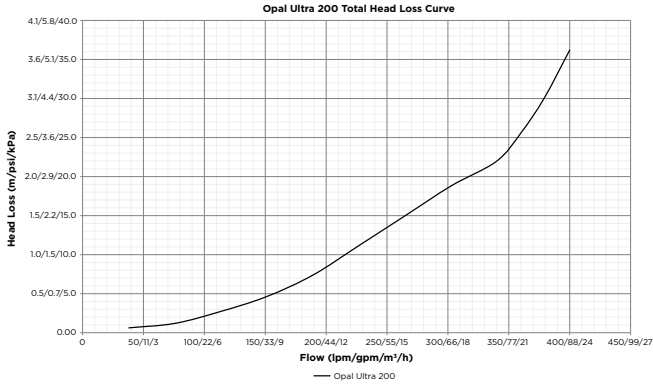
## CARTRIDGE FILTER DIMENSIONS (mm/in")

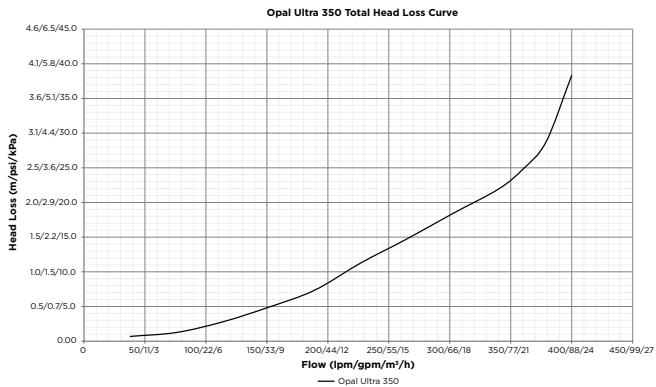
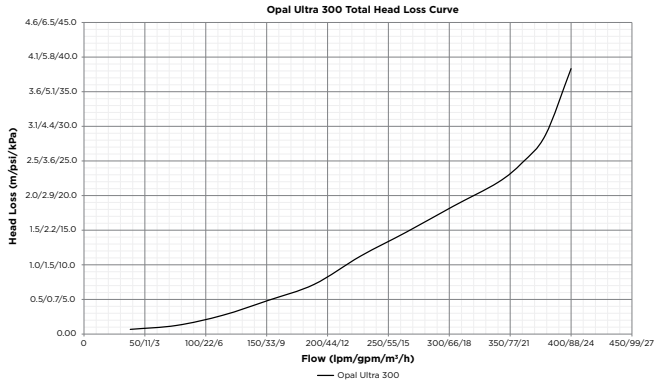


# SPECIFICATIONS

Product Description & Model	PVC Pipe Connection Ports	Minimum Flow Rate	Maximum Flow Rate	Filter Area	Maximum Working Pressure	Maximum Working Temperature
Opal Ultra 200	50mm/ 63mm (EU)/2"	50lpm/ 3m <sup>3</sup> /hr/ 11.0gpm	510lpm/ 30m <sup>3</sup> /hr/ 110.0gpm	18.5m <sup>2</sup> / 200ft <sup>2</sup>	350kPa/ 3.5bar / 50psi	40°C
Opal Ultra 250	50mm/ 63mm (EU)/2"	50lpm/ 3m <sup>3</sup> /hr/ 11.0gpm	510lpm/ 30m <sup>3</sup> /hr/ 110.0gpm	23.2m <sup>2</sup> / 250ft <sup>2</sup>	350kPa/ 3.5bar / 50psi	40°C
Opal Ultra 300	50mm/ 63mm (EU)/2"	50lpm/ 3m <sup>3</sup> /hr/ 11.0gpm	510lpm/ 30m <sup>3</sup> /hr/ 110.0gpm	27.9m <sup>2</sup> / 300ft <sup>2</sup>	350kPa/ 3.5bar / 50psi	40°C
Opal Ultra 350	50mm/ 63mm (EU)/2"	50lpm/ 3m <sup>3</sup> /hr/ 11.0gpm	510lpm/ 30m <sup>3</sup> /hr/ 110.0gpm	32.5m <sup>2</sup> / 350ft <sup>2</sup>	350kPa/ 3.5bar / 50psi	40°C

# OPAL ULTRA TOTAL HEAD LOSS CURVES





## **⚠ CAUTION**

***Hand tighten the pressure gauge into the lid only for sealing.***

## **TYPICAL INSTALLATION**

1. Position the filter as close to the Swimming Pool/Spa as possible.
2. Position the filter so that it is free from flooding, away from sumps, guttering, garden hollows, etc.
3. Position the filter so that the piping connections and air release valve is convenient and accessible for operation, servicing and winterising.
4. Ensure that the compliance label is facing the front to allow easy identification.
5. The filter should be placed on a level concrete slab, very firm ground, or equivalent. Ensure that the ground will not subside, preventing any strain from the attached plumbing.
6. Ensure that there is no movement of the filter during operation of the purge valve.
7. Allow sufficient clearance around the filter to permit visual inspection of the entire system.

Place the Waterco Opal Ultra Cartridge Filter into the required position. Ensure that it is on a flat level surface and is aligned with the pump.

The Opal Ultra Cartridge Filter has marked inlet and outlet ports.

**Note:** Opal Ultra has 2 inlet options, one inlet to be plumbed for water flows and the other to remain blocked with supplied half union and plug.

Ensure that the pipe extending from the pump outlet is connected to the Waterco Opal Ultra Cartridge Filter marked inlet. There are two inlet pipe connection options refer image on right.

Screw the supplied half barrel unions and tails onto the inlet and outlet before gluing the UPVC piping onto the filter.



Opal 200 & 250



Opal 300 & 350

## PLUMBING

1. Check that the incoming water pressure is within the filter's recommended working pressure and ensure that a pressure limiting valve is installed if using mains water or a high pressure pump.
2. Ensure that a foot valve/non return valve are installed if the pump is installed 500mm/20" above the water level.
3. If the filter is installed below the water level or connected to mains water, isolation valves should be installed at the inlet and outlet of the filter. This will prevent water flow during any routine maintenance.
4. Minimise the length of pipe and the number of fittings to minimise restrictions to water flow.
5. Ensure that all plumbing connections are glued and tightened securely to prevent leaking.
6. Ensure solvents are not excessively applied to fittings as this could run into "o"- rings and create sealing problems.
7. Do not over tighten fittings or adapters. Screw the supplied half barrel unions and tails onto the inlet and outlet before gluing the UPVC piping onto the filter.



**⚠ CAUTION**

**Use only the recommended glue for the connection pipes and fittings.**

Cut and fit the pipe and fittings onto and the pump the Waterco Opal Ultra Cartridge Filter. **REFER** to Pump Installation Manual for correct pump plumbing procedures.

It is **best practice** to fit all the cut pipe and fittings onto the filtration system **before** gluing; this will ensure that the system has **been aligned** correctly.

Glue the pipe and fittings onto the pump, filter and pool return lines and **allow** the glue to set for 24 hours before commissioning the system.

It is **advisable** to bolt the filter down to the floor where the filter is located. This will prevent the filtration plumbing from **working with dyna bolts loose** with the expansion and operation of the filter during regular cycles. It will also help to prevent unnecessary stress on the plumbing while unscrewing the filter lid lock ring.

**Note:** Do not use liquid sealant or thread tape on the thread of the inlet or outlet threads of the Opal Ultra or connecting barrel union threads. Use only recommended glue for connection pipe and fittings Cut and fit the pipe and fittings onto the Opal Ultra and the pump. Refer to Pump Installation Manual for correct pump plumbing procedures. It is best practice to fit all the cut pipe and fittings onto the filtration system before gluing; this will ensure that the system has been aligned correctly.

Glue the pipe and fittings onto the pump, filter and pool return lines and allow the glue to set for 24 hours before commissioning the system.

## PLUMBING CONNECTION

1. Connect the pipe extending from the pump outlet to the inlet of the Opal Ultra.
2. Connect from the pipe extending from the outlet of the Opal Ultra to the next component in line with the filtration system or water return line.
3. Glue all plumbing to barrel union fittings in accordance with glue (solvent) manufactures specifications and allow 24 hours to set. Ensure glue (solvent) is not excessively applied to fittings as this could run onto "o"-rings and create sealing problems.

**Note:** Waterco recommends that a shut off valve be installed after the Opal Ultra on the pool return line to assist with flushing out the collected debris.

Please refer to "Insufficient Water Pressure".

4. Turn on pool pump. Be sure to check that there are no leaks from the connectors. If required, tighten by hand.

# START UP PROCEDURE

The Waterco Opal Ultra Cartridge Filters are a simple and effective unit which will provide years of trouble free service if the following maintenance procedures are maintained.

To start up the filtration system either from new or after cleaning is exactly the same.

1. Ensure that all valves installed before or after the filter are open.
2. Ensure that the filter is plumbed correctly. Pipe from pump outlet must be attached to the filter inlet port.
3. Loosen the air bleed screw on top of the filter lid.
4. Prime the swimming pool pump.  
(Refer to the pump installation and operation manual).
5. Turn on the swimming pool pump and allow the pump to run until all the air has been expelled from the filter vessel. Water will run from the air bleed screw.
6. Tighten the air bleed screw.
7. The filter is primed and ready for operation.

In some cases this may be required to be done a few times before the unit will remain primed and be fully operational.

## **⚠ CAUTION**

***Do not stand over the lid whilst adjusting the air bleed to purge the system of air. Injury may occur if air bleed screw comes loose.***

# MAINTENANCE

To ensure that you get maximum life from your Opal Ultra Cartridge Filters you will need to maintain the filter regularly.

When the filter is first started and has been purged of air, note the pressure on the pressure gauge. This is what is known as the filter operation pressure and it is important that you be aware of this figure.

All filtration systems will operate at different pressures depending on the pool hydraulics.

You will need to clean the filter cartridge (element) once the pressure gauge has reached 50kPa (7.2psi) above the operating pressure.

The Waterco Opal Ultra Cartridge Filters have a maximum operating pressure of 350kPa/3.5Bar/50psi.

***EXAMPLE: Filter operates normally at 60 kPa (8.7psi) needs to be cleaned at 110 kPa (16psi).***

**⚠ CAUTION**

**Do not over tighten the lid lock ring.**

### Opal Ultra Cartridge Filter

1. Firstly, via the air bleed screw located on top of the domed lid, release any built up pressure within the tank. The Opal Ultra features an innovative locking mechanism designed for easy maintenance. With a simple clockwise turn of the lock ring, you can securely lock the filter in place.

When it's time for cartridge maintenance or replacement, simply press and hold the lock plunger while simultaneously turning the lock ring anti-clockwise.

The innovative lifting lug integrated into the lid effortlessly lifts the lid together with the lock ring, granting you quick and easy access to the filter cartridge



2. Remove the cartridge element from the filter tank.
3. Using a garden type hose clean the surface of the pleated elements, Making sure to clean between the pleats.
4. Place the cartridge back into the filter tank ensuring that it is seated.
5. Ensure lid "O"-ring is correctly re-installed.
6. Place domed lid onto tank and screw the tight using the two moulded handles.
7. Refer to the start up procedure to re-commence operation.

**Note:** Ensure the locking ring's locking plunger passes the filter tank's retaining lugs and is properly installed and tightened to prevent water leaks.

It is suggested that you should periodically remove the cartridge filter element and soak it over night in a suitable cartridge cleaning compound. This will remove any debris not removed by hosing down of the element.

Some swimming pool stores offer a cartridge cleaning service using the correct solutions otherwise you may wish to use Waterco Cartridge cleaning solution. Directions of use are on the product.

The cleaning time depends upon the swimming pool condition and use. Intervals between cleaning the element should not exceed a period of 12 months in any instance.

# GENERAL MAINTENANCE GUIDE

To ensure the maximum life of the Opal Ultra, please follow the procedures below:

1. Clean the filter cartridge element regularly according to the instructions set under "Opal Ultra Filter Cartridge Element"
2. Maintain a correct chemical balance of your pool/spa water. The chemical balance of water is a relationship between its pH, total alkalinity, calcium hardness and water temperature. The water must be maintained at all times to the following:

PH LEVEL : BETWEEN 7.2 & 7.8.

TOTAL ALKALINITY : BETWEEN 80 & 150ppm.

CALCIUM HARDNESS : BETWEEN 150 & 300ppm.

Also, within these tolerances be balanced to the Langelier Saturation Index within a range of -0.2 to +0.2.

**Note:** Testing kits are available to test the water yourself or alternately bring a sample of the water to a professional pool and spa shop.

3. Mains water and rural water supplies need to be monitored. Saturation (life) in mains water or bore (rural) will vary depending on water quality.
4. To prevent damage to the pump and filter and for proper operation of the system, clean pump strainer and skimmer baskets regularly.
5. Replace the pressure gauge if faulty readings are observed.

## WINTERISING

Proper winterising procedures should always be taken in order to protect your filter in cold climates (temperatures below freezing point).

1. Switch off the Pump/Close the inlet valve.
2. Open the air release valve and open the purge valve to allow water to flow out of the Opal Ultra.
3. Remove any drain plugs from the pump.
4. Drain water from the pipe work.

# TROUBLE SHOOTING GUIDE

SYMPTOMS	POSSIBLE PROBLEMS / SOLUTIONS
<b>Water is not clear</b>	Insufficient disinfectant level.
	Incorrect pool chemistry.
	Heavy bathing and/or dirt loads.
	Incorrect flow.
	Insufficient running times = Increase pump run time.
	Filter is dirty. Clean per instructions.
	Hole in filter element.
<b>Low water flow</b>	Check strainer baskets for debris.
	Check for air leaks on suction side.
	Check for restrictions or blockage in either suction or return lines.
	Filter needs to be cleaned or replaced.
	Pool water level too low.
	Pump not primed.
	Pump impeller vanes blocked.
	Strainer baskets not being used and/ or not being cleaned regularly.
Pump operating under speed (low voltage).	
<b>Short filter cycles</b>	Presence of algae, check disinfectant content.
	Check pH and total alkalinity.
	Pump output exceeds design flow rate of filter, check pump performance.
	Ineffective cleaning, check conditions, replace filter cartridge.
<b>High pressure on start-up</b>	Small eyeball fitting in Pool/ Spa.
	Partially closed valve on return line.
	Too large of pump, check selection.
<b>Dirt returns to pool</b>	Hole in filter cartridge, replace filter cartridge.
	Worn "O"-ring seal inside filter, replace "O"-ring.

## WARRANTY

Opal Ultra is covered by a 10 year tank warranty and 1 year warranty on labour.

Commercial installations are covered by a 1 year warranty.

Please refer to Waterco's warranty terms and conditions.

**Note:** An electronic copy of the Waterco warranty booklet is available at the Waterco website [www.waterco.com](http://www.waterco.com) or by scanning the QR code.



# Table des **Matières**

<b>Filtres à cartouche Waterco Ultra .....</b>	<b>11</b>
<b>Installation .....</b>	<b>11</b>
<b>Dimensions .....</b>	<b>11</b>
<b>Spécifications .....</b>	<b>12</b>
<b>Perte de charge .....</b>	<b>12</b>
<b>Installation standard .....</b>	<b>13</b>
<b>Plomberie .....</b>	<b>14</b>
<b>Raccords de plomberie .....</b>	<b>15</b>
<b>Procédure de mise en service .....</b>	<b>16</b>
<b>Maintenance .....</b>	<b>16</b>
<b>Guide d'entretien général .....</b>	<b>18</b>
<b>Préparatifs pour l'hiver .....</b>	<b>18</b>
<b>Guide de dépannage .....</b>	<b>19</b>
<b>Garantie.....</b>	<b>19</b>



**Remarque :** Accès direct au site web de Waterco pour plus d'informations sur le filtre à cartouche Opal Ultra.

# FILTRE À CARTOUCHE WATERCO OPAL ULTRA

Le filtre à cartouche Waterco Opal Ultra ne nécessite pas de média type sable ou poudre de terre de diatomée pour fonctionner. À la place, le filtre contient une cartouche qui peut être déposée facilement pour le nettoyage ou le remplacement.

Tous les filtres à cartouche Opal conviennent pour une utilisation en piscine et baignoire à remous. Les filtres à cartouche Waterco Opal Ultra conviennent également lorsque le lavage à contre-courant est impossible.

## INSTALLATION

Veillez à respecter le Code de plomberie applicable sur votre territoire.

Veillez à respecter toutes les dispositions relatives à la gestion des eaux usées qui sont prévues par la réglementation locale, régionale ou nationale. N'évacuez pas l'eau à un endroit où elle pourrait causer une inondation ou des dégâts.

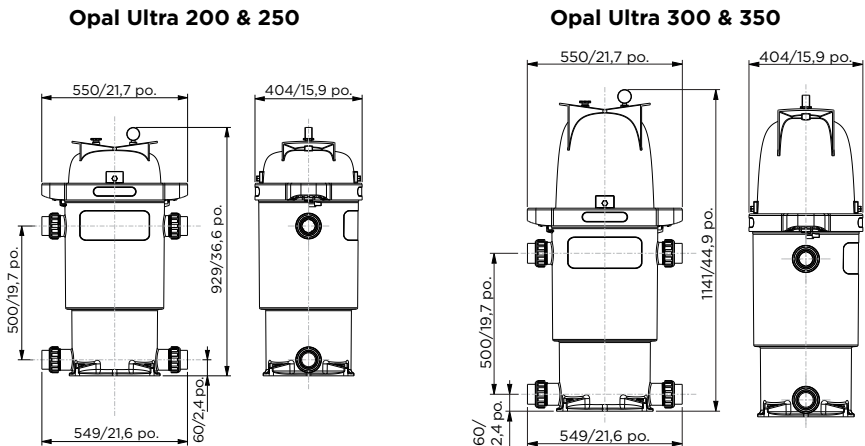
Si la pression de l'eau entrante est supérieure à la pression de service maximale de 350 kPa / 3,5 bar / 50 psi, vous devez installer un régulateur de pression (RP) en amont de l'entrée du filtre.

Le RP doit être réglé à 90 % de la pression de service maximale du collecteur.

Si le débit d'eau entrante est inférieur au débit minimal requis par le filtre, cela affectera l'efficacité de la filtration. Dans ce cas, consultez Waterco.

Sortez le filtre à cartouche du carton et installez le manomètre dans l'orifice fileté sur le couvercle de filtre fourni. À l'aide de Téflon, faites un tour autour du filetage de manomètre en laiton dans le sens horaire et vissez-le dans l'orifice de couvercle fileté.

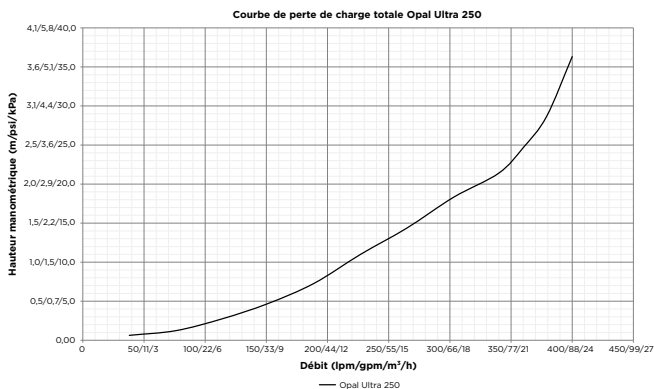
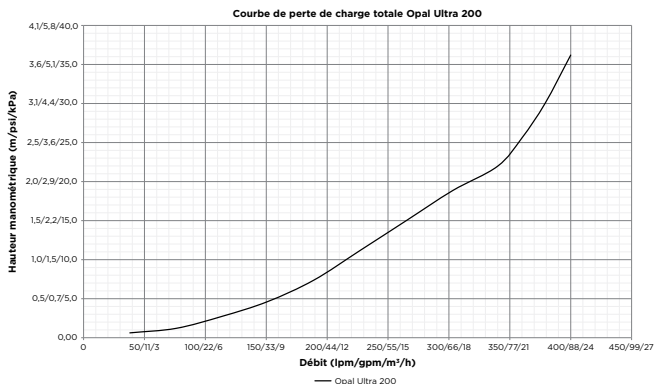
## DIMENSIONS DU FILTRE À CARTOUCHE (mm / po.)



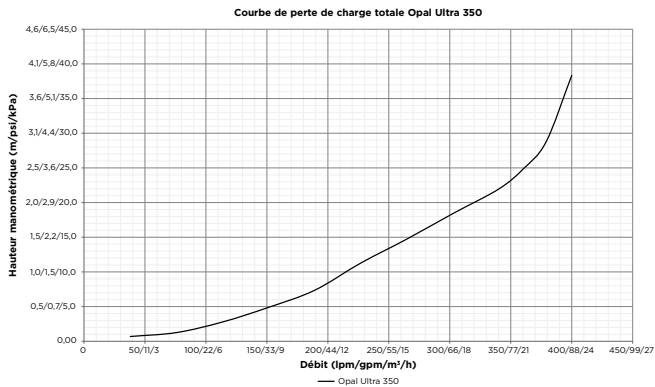
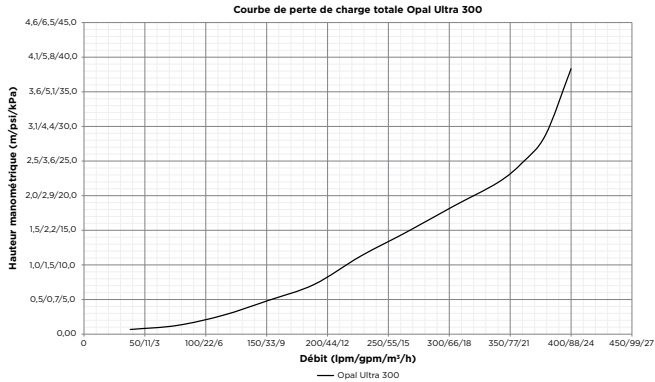
# CARACTÉRISTIQUES

Description du produit et modèle	Raccords de conduite en PVC	Débit minimum	Débit maximum	Superficie filtrée	Pression de service maximale	Température de service maximale
Opal Ultra 200	50mm/ 63mm (UE)/ 2po	50lpm/ 3m <sup>3</sup> /hr/ 11,0gpm	510lpm/ 30m <sup>3</sup> /hr/ 110,0gpm	18,5m <sup>2</sup> / 200pi. <sup>2</sup>	350kPa/ 3,5bar / 50psi	40°C
Opal Ultra 250	50mm/ 63mm (UE)/ 2po	50lpm/ 3m <sup>3</sup> /hr/ 11,0gpm	510lpm/ 30m <sup>3</sup> /hr/ 110,0gpm	23,2m <sup>2</sup> / 250pi. <sup>2</sup>	350kPa/ 3,5bar / 50psi	40°C
Opal Ultra 300	50mm/ 63mm (UE)/ 2po	50lpm/ 3m <sup>3</sup> /hr/ 11,0gpm	510lpm/ 30m <sup>3</sup> /hr/ 110,0gpm	27,9m <sup>2</sup> / 300pi. <sup>2</sup>	350kPa/ 3,5bar / 50psi	40°C
Opal Ultra 350	50mm/ 63mm (UE)/ 2po	50lpm/ 3m <sup>3</sup> /hr/ 11,0gpm	510lpm/ 30m <sup>3</sup> /hr/ 110,0gpm	32,5m <sup>2</sup> / 350pi. <sup>2</sup>	350kPa/ 3,5bar / 50psi	40°C

## COURBES DE PERTE DE CHARGE TOTALE OPAL ULTRA







## **⚠ AVERTISSEMENT**

**Vissez le manomètre dans le couvercle à la main uniquement pour l'étanchéité.**

## **INSTALLATION STANDARD**

1. Placez le filtre le plus près possible de la piscine ou de la baignoire à remous.
2. Placez le filtre à un endroit où il ne risque pas d'être immergé et à l'écart des puisards, des gouttières, des cavités du jardin, etc.
3. Placez le filtre de telle sorte que les raccords de plomberie et le purgeur d'air se situent à des endroits pratiques et accessibles pour toute intervention, tout entretien et toute préparation pour l'hiver.
4. Veillez à ce que l'étiquette de conformité soit visible de l'avant afin d'être facilement identifiable.
5. Placez le filtre sur une dalle horizontale en béton, sur un sol très ferme ou sur une surface comparable. Vérifiez que le sol ne risque pas de s'affaisser afin d'éviter toute tension au niveau de la plomberie qui y est raccordée.
6. Vérifiez que le filtre ne bouge pas lorsque le robinet de purge est en fonctionnement.
7. Prévoyez un dégagement suffisant tout autour du filtre afin de pouvoir inspecter l'intégralité de l'installation visuellement.

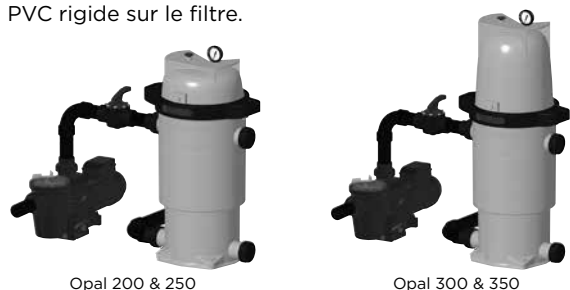
Placez le filtre à cartouche Waterco Opal Ultra dans la position requise. Vérifiez qu'il se trouve sur une surface plane et qu'il est aligné avec la pompe.

Le filtre à cartouche Opal Ultra présente des orifices d'entrée et de sortie marqués.

**Remarque :** L'Opal Ultra propose 2 options d'entrée, une entrée à raccorder pour l'écoulement d'eau et l'autre restant fermée avec le demi-raccord et le bouchon fournis.

Vérifiez que la conduite depuis la sortie de pompe est raccordée à l'entrée marquée du filtre à cartouche Waterco Opal Ultra. Deux options de raccord d'entrée sont disponibles. Voir l'image de droite.

Vissez les demi-raccords unions à boisseau et les bouts fournis à l'entrée et à la sortie avant de coller le tuyau en PVC rigide sur le filtre.



Opal 200 & 250

Opal 300 & 350

## PLOMBERIE

1. Vérifiez que la pression de l'eau entrante est conforme à la pression de service recommandée pour le filtre et assurez-vous qu'un régulateur de pression est bien en place si vous utilisez d'eau provenant du réseau d'adduction ou d'une pompe à haute pression.
2. Veillez à installer un clapet de pied ou un clapet antiretour si la pompe est installée 500 mm ou 20 pouces au-dessus du niveau de l'eau.
3. Si le filtre est implanté au-dessous du niveau de l'eau ou est raccordé au circuit principal d'adduction d'eau, il convient d'installer des valves d'isolement au niveau de l'entrée et de la sortie du filtre. Cela empêchera l'eau de circuler durant les opérations d'entretien d'usage.
4. Réduisez la longueur du tuyau et le nombre de raccords au minimum afin de réduire le débit d'eau le moins possible.
5. Vérifiez que tous les raccords de plomberie sont collés et solidement serrés afin d'éviter toute fuite.
6. Veillez à ne pas appliquer une trop grande quantité de solvants sur les raccords, car ils pourraient pénétrer dans les joints toriques et créer des problèmes de fuites.
7. Ne serrez pas les raccords ou adaptateurs excessivement. Vissez les demi-raccords unions à boisseau et les bouts fournis à l'entrée et à la sortie avant de coller le tuyau en PVC rigide sur le filtre.

**⚠ AVERTISSEMENT**

**Utilisez exclusivement la colle recommandée pour raccorder des tuyaux et raccords.**

Coupez et installez le tuyau et les raccords sur la pompe et le filtre à cartouche Waterco Opal Ultra. **CONSULTEZ** le guide d'installation de la pompe et suivez à la lettre les procédures prévues pour la plomberie de la pompe.

**Mieux vaut** installer tous les tuyaux et raccords coupés sur le système de filtration **avant** de les coller. Ainsi, vous pourrez vérifier que le système **est correctement aligné**.

Collez le tuyau et les raccords sur la pompe, ainsi que le filtre et la conduite de retour vers la piscine. Puis, **laissez** la colle sécher pendant 24 heures avant de mettre le système en service.

Il est **conseillé** de visser le filtre au sol là où il est placé. Cela évitera que les conduites de filtration ne **fonctionnent avec des chevilles d'ancrage desserrées** lors de l'expansion et du fonctionnement du filtre en cycle standard. Cela aidera également à éviter une contrainte inutile sur les conduites lorsque la bague de verrouillage du couvercle de filtre est dévissée.

**Remarque:** N'utilisez pas d'adhésif liquide ou de ruban pour joints filetés sur les filetages d'entrée et de sortie de l'Opal Ultra ou sur les filetages de raccords unions à boisseau que vous devez raccorder. Utilisez exclusivement la colle recommandée pour raccorder des tuyaux et raccords. Coupez et installez le tuyau et les raccords sur l'Opal Ultra et la pompe. Consultez le guide d'installation de la pompe et suivez à la lettre les procédures prévues pour la plomberie de la pompe. Mieux vaut installer tous les tuyaux et raccords coupés sur le système de filtration avant de les coller. Ainsi, vous pourrez vérifier que le système est correctement aligné.

Collez le tuyau et les raccords sur la pompe, ainsi que le filtre et la conduite de retour vers la piscine. Puis, laissez la colle sécher pendant 24 heures avant de mettre le système en service.

## RACCORDS DE PLOMBERIE

1. Raccordez le tuyau sortant de la pompe à l'entrée de l'Opal Ultra.
2. Raccordez le tuyau sortant de l'Opal Ultra à l'élément de tuyauterie suivant du système de filtration ou de la conduite de retour de l'eau.
3. Collez toute la plomberie aux raccords unions à boisseau en suivant les consignes du fabricant de la colle (solvant) et laissez sécher pendant 24 heures. Veillez à ne pas appliquer une trop grande quantité de colle (solvant) sur les raccords, car ils pourraient pénétrer dans les joints toriques et créer des problèmes de fuites.

**Remarque:** Waterco recommande d'installer un robinet d'arrêt en aval de l'Opal Ultra, sur la conduite de retour vers la piscine afin de favoriser l'évacuation des saletés collectées.

Veillez consulter le chapitre « Pression d'eau insuffisante » pour en savoir plus.

4. Allumez la pompe de la piscine. N'oubliez pas de vérifier qu'il n'y a pas de fuites au niveau des raccords. Au besoin, serrez-les à la main.

## PROCÉDURE DE DÉMARRAGE

Le filtre à cartouche Waterco Opal Ultra est un appareil simple et efficace qui fonctionnera pendant des années sans tomber en panne si vous respectez les procédures d'entretien ci-dessous.

Procédez de la même façon pour démarrer un système de filtration neuf ou fraîchement nettoyé.

1. Vérifiez que tous les robinets installés en amont et en aval du filtre sont ouverts.
2. Veillez à ce que le filtre soit correctement raccordé à la plomberie. La conduite de la sortie de pompe doit être fixée à l'orifice d'entrée de filtre.
3. Desserrez la vis de purge d'air située au-dessus du couvercle de filtre.
4. Amorcez la pompe de votre piscine.  
(Pour ce faire, consultez le guide d'installation et d'utilisation de la pompe).
5. Allumez la pompe de la piscine et laissez la pompe tourner jusqu'à ce que tout l'air ait été évacué du filtre. L'eau s'écoulera par la vis de purge d'air.
6. Serrez la vis de purge d'air.
7. Le filtre est amorcé et prêt à fonctionner.

Il arrive que vous deviez réaliser cette opération plusieurs fois avant que le filtre soit amorcé et réellement prêt à fonctionner.

### AVERTISSEMENT

***Ne vous tenez pas au-dessus du couvercle lorsque vous réglez la vis de purge d'air pour évacuer l'air du système. Vous pourriez être blessé si la vis de purge d'air se desserrait.***

## ENTRETIEN

Pour garantir une durée de service maximale de votre filtre à cartouche Opal Ultra, entretenez-le régulièrement.

Vérifiez la pression indiquée par le manomètre lorsque vous démarrez le filtre pour la première fois après une purge d'air. Cette pression est appelée la pression de service. Il est essentiel que vous la connaissiez.

Tous les systèmes de filtration fonctionnent à des pressions différentes selon le réseau hydraulique de la piscine.

Vous devez nettoyer la cartouche filtrante (élément) dès que la pression indiquée par le manomètre est de 50 kPa (7,2 psi) supérieure à la pression de service.

Le filtre à cartouche Waterco Opal Ultra admet une pression de service maximale de 350 kPa / 3,5 Bar / 50 psi.

***EXEMPLE : Le filtre fonctionne normalement à 60 kPa (8,7 psi), mais une pression de 110 kPa (16 psi) signifie qu'il doit être nettoyé.***

**⚠ AVERTISSEMENT**

**Ne serrez pas la bague de verrouillage de couvercle excessivement.**

Filtre à cartouche Opal Ultra

1. Premièrement, via la vis de purge d'air située au-dessus du couvercle en forme de dôme, relâchez la pression accumulée dans le réservoir. L'Opal Ultra est doté d'un mécanisme de verrouillage innovant conçu pour faciliter l'entretien. Tournez simplement la bague de verrouillage dans le sens horaire pour verrouiller le filtre en position.

Lors du remplacement ou de l'entretien de la cartouche, maintenez le piston de verrouillage tout en tournant la bague de verrouillage dans le sens antihoraire.

L'ergot de levage innovant intégré dans le couvercle permet de lever le couvercle sans effort avec l'anneau de verrouillage, pour un accès simple et rapide à la cartouche filtrante.



2. Déposez la cartouche du réservoir de filtre.
3. À l'aide d'un tuyau d'arrosage, nettoyez la surface plissée, en veillant à passer entre les plis.
4. Remettez la cartouche dans le réservoir de filtre en veillant à la placer correctement.
5. Vérifiez que le joint torique du couvercle est correctement reposé.
6. Posez le couvercle en forme de dôme sur le réservoir et vissez-le fermement à l'aide des deux poignées moulées.
7. Suivez la procédure de démarrage pour redémarrer.

**Remarque:** Vérifiez que le piston de verrouillage de la bague de verrouillage traverse les ergots de maintien du réservoir de filtre et qu'il est correctement installé et serré pour éviter les fuites d'eau.

Nous vous recommandons d'enlever régulièrement le filtre à cartouche et de le mettre à tremper durant une nuit dans une solution nettoyante adaptée. Cette opération permet d'éliminer les saletés restées sur le filtre après son nettoyage au tuyau d'arrosage.

Certains magasins spécialisés dans les piscines proposent de nettoyer les cartouches au moyen de solutions adaptées. Sinon, utilisez la solution nettoyante pour cartouche de Waterco. Les consignes d'utilisation sont indiquées sur le produit.

La durée du nettoyage dépend de l'état de la piscine et de l'utilisation qui en est faite. Dans tous les cas, la cartouche doit être nettoyée au minimum tous les 12 mois.

## GUIDE D'ENTRETIEN GÉNÉRAL

Pour garantir une durée de service maximale de l'Opal Ultra, veuillez procéder comme indiqué ci-dessous :

1. Nettoyez la cartouche filtrante régulièrement en respectant les consignes fournies au chapitre « Cartouche filtrante Opal Ultra ».
2. Maintenez un équilibre chimique adapté dans l'eau de votre piscine ou baignoire à remous. L'équilibre chimique de l'eau se définit par son pH, son alcalinité totale, sa dureté calcique et sa température. L'eau doit présenter les propriétés suivantes en toutes circonstances :

NIVEAU DE PH : ENTRE 7,2 ET 7,8.

ALCALINITÉ TOTALE : ENTRE 80 ET 150 ppm.

DURETÉ CALCIQUE : ENTRE 150 ET 300 ppm.

De même, tout en maintenant ces limites d'équilibrage, il faut maintenir un indice de saturation Langelier compris entre -0,2 et +0,2.

**Remarque:** Des trousseaux d'essai sont proposés pour vous permettre de tester vous-même l'eau ou, en variante, vous pouvez apporter un échantillon d'eau à un magasin professionnel spécialisé dans les piscines et les installations balnéaires.

3. Il faut surveiller les alimentations en eau provenant du réseau d'adduction ou en milieu rural. La saturation (durée de vie) de l'eau d'un réseau d'adduction ou d'un forage (milieu rural) va varier en fonction de la qualité de l'eau.
4. Pour éviter tout endommagement de la pompe et du filtre et pour obtenir un fonctionnement correct de ce système, nettoyez périodiquement la crépine de la pompe et les paniers flottants.
5. Remplacez le manomètre s'il affiche des valeurs incorrectes.

## PRÉPARATIFS POUR L'HIVER

Il faut toujours prendre des mesures correctes de préparation à l'hiver dans le but de protéger votre filtre par climat froid (températures inférieures au point de congélation).

1. Éteignez la pompe / fermez le robinet d'admission.
2. Ouvrez le purgeur d'air et le robinet de purge afin que l'eau s'échappe de l'Opal Ultra.
3. Retirez les éventuels bouchons de purge de la pompe.
4. Videz la tuyauterie de son eau.

# GUIDE DE DÉPANNAGE

SYMPTÔMES	PROBLÈMES / SOLUTIONS POSSIBLES
<b>L'eau n'est pas limpide</b>	Le niveau de désinfectant est insuffisant.
	L'équilibre chimique de l'eau de la piscine est mauvais.
	Il y a un grand nombre de baigneurs ou d'impuretés.
	Le débit est mauvais.
	Temps de fonctionnement insuffisant = Augmentez le temps de fonctionnement de la pompe.
	Le filtre est sale. Nettoyez-le en suivant les consignes.
	La cartouche filtrante est percée.
<b>Débit d'eau faible</b>	Vérifiez que les crépines ne sont pas sales.
	Vérifiez qu'il n'y a pas de fuites d'air côté aspiration.
	Vérifiez qu'il n'y a pas d'éléments gênants ou d'obstructions dans les conduites d'aspiration ou de retour.
	Nettoyez ou remplacez le filtre.
	Le niveau d'eau de la piscine est trop faible.
	La pompe n'est pas amorcée.
	Les aubes de la roue centrifuge sont bloquées.
	Les crépines ne sont pas utilisées ou nettoyées régulièrement.
La pompe est en sous-régime (basse tension).	
<b>Les cycles de filtration sont courts</b>	Il y a des algues. Vérifiez le niveau de désinfectant.
	Vérifiez le pH et l'alcalinité totale.
	L'eau sortant de la pompe circule à un débit supérieur à celui prévu pour le filtre.
	Nettoyage inefficace. Vérifiez les conditions. Remplacez la cartouche filtrante.
<b>Pression élevée lors de la mise en route</b>	Il y a un petit raccord à œillet dans la piscine / baignoire à remous.
	Fermeture partielle de la valve sur la conduite de retour.
	Le système est surdimensionné pour la pompe : vérifiez ce que vous avez choisi.
<b>Les saletés retournent dans la piscine</b>	Trou dans la cartouche filtrante, remplacez-la. Joint torique usé à l'intérieur du filtre, remplacez le joint torique.

## GARANTIE

L'Opal Ultra est garanti 10 ans pour le réservoir et 1 an pour la fabrication.

Les installations destinées à un usage commercial sont couvertes par une garantie de 1 an.

Pour en savoir plus, veuillez consulter les conditions générales de la garantie Waterco.

**Remarque:** Le contrat de garantie Waterco est consultable sur le site Web de Waterco [www.waterco.com](http://www.waterco.com) ou en scannant le code QR ci-contre.



# Inhaltsverzeichnis

<b>Waterco Ultra Kartuschenfilter .....</b>	<b>21</b>
<b>Installation .....</b>	<b>21</b>
<b>Abmessungen .....</b>	<b>21</b>
<b>Technische Daten .....</b>	<b>22</b>
<b>Druckabfall .....</b>	<b>22</b>
<b>Typische Installation .....</b>	<b>23</b>
<b>Rohrleitungen .....</b>	<b>24</b>
<b>Leistungsanschluss .....</b>	<b>25</b>
<b>Inbetriebnahme .....</b>	<b>26</b>
<b>Wartung .....</b>	<b>26</b>
<b>Allgemeine Wartungsanleitung .....</b>	<b>28</b>
<b>Vorbereitung für den Winter .....</b>	<b>28</b>
<b>Fehlerbehebung .....</b>	<b>29</b>
<b>Garantie.....</b>	<b>29</b>



**Hinweis:** Direkter Zugang zur Waterco-Website für zusätzliche Informationen zum Opal Ultra Kartuschenfilter.



# DIE WATERCO OPAL ULTRA KARTUSCHENFILTER

Die Waterco Opal Ultra Kartuschenfilter benötigen zum Betrieb kein Medium wie Sand oder Kieselgur. Stattdessen enthält das Filter eine Kartusche, die sich zur Reinigung oder zum Austausch leicht entnehmen lässt.

Alle Opal Kartuschenfilter eignen sich ideal für Schwimmbecken und Pools. Die Waterco Opal Ultra Kartuschenfilter lassen sich ideal auch dort einsetzen, wo ein Rückspülen nicht möglich ist.

## INSTALLATION

Achten Sie darauf, die örtlichen Vorschriften für Wasserinstallationen einzuhalten.

Achten Sie darauf, dass alle Einrichtungen zur Abwasserbeseitigung den örtlichen, regionalen oder nationalen Vorschriften entsprechen. Leiten Sie kein Abwasser dorthin, wo es Überschwemmungen oder Schäden verursachen könnte.

Wenn der ankommende Wasserdruck höher als der maximale Betriebsdruck von 350 kPa/3,5 bar/50 psi ist, muss vor dem Einlass des Filters ein Druckregelventil eingefügt werden.

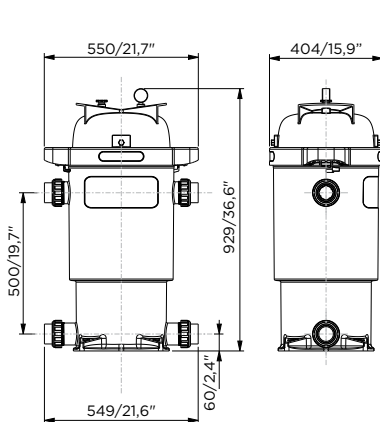
Das Druckregelventil sollte auf einen Wert von 90% des maximalen Betriebsdrucks des Behälters eingestellt werden.

Falls der ankommende Wasserdurchsatz niedriger ist als der erforderliche Mindestdurchsatz des Filters, wird die Filterwirkung beeinträchtigt. Wenden Sie sich in diesem Fall bitte an Waterco.

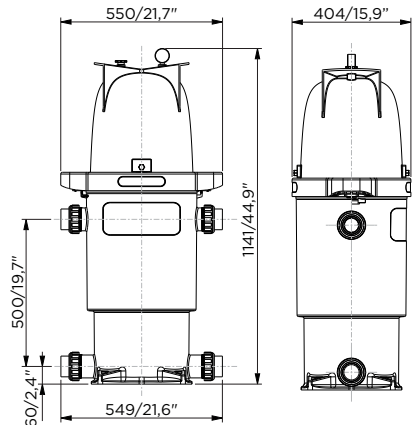
Entnehmen Sie das Kartuschenfilter aus dem Karton und bringen Sie das Manometer am Schraubanschluss oben am Filterdeckel an. Bringen Sie eine Lage Teflonband auf das Messinggewinde des Manometers im Uhrzeigersinn auf und schrauben Sie es in den Schraubanschluss am Deckel.

## ABMESSUNGEN DER KARTUSCHENFILTER (mm/Zoll)

**Opal Ultra 200 & 250**



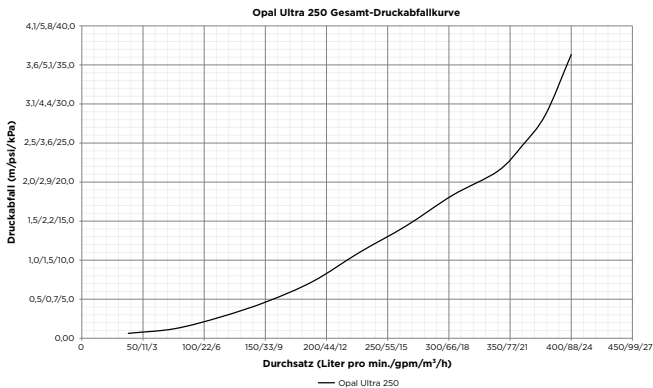
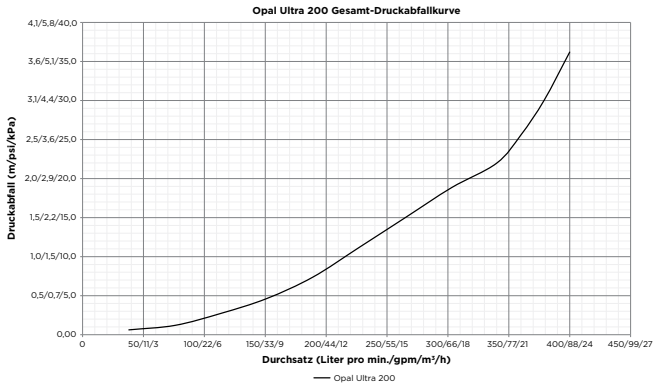
**Opal Ultra 300 & 350**

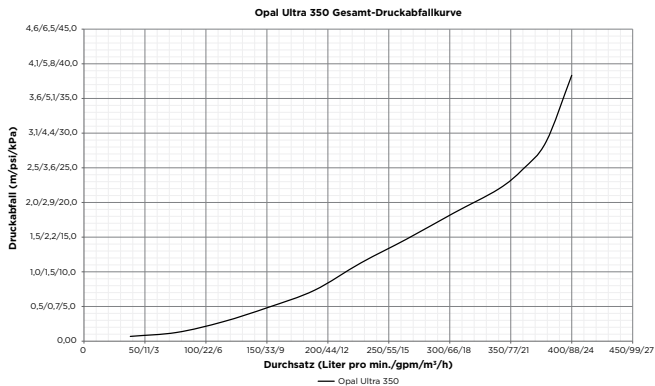
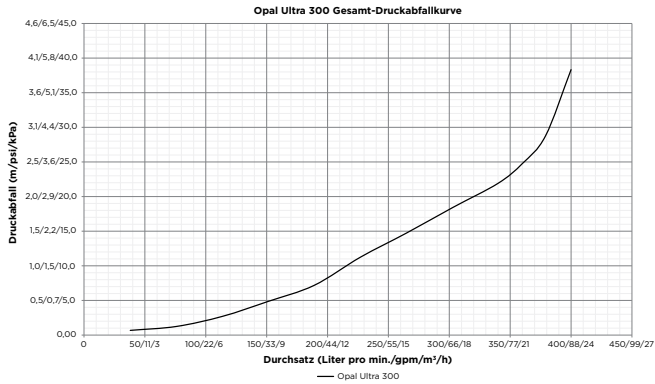


# TECHNISCHE DATEN

Produktbeschreibung und Modell	PVC-Rohranschlüsse	Min. Durchfluss	Max. Durchfluss	Filterfläche	Maximaler Arbeitsdruck	Maximale Betriebstemperatur
Opal Ultra 200	50mm/ 63mm (EU)/2"	50l pro min/ 3m <sup>3</sup> /hr/ 11,0gpm	510l pro min/ 30m <sup>3</sup> /hr/ 110,0gpm	18,5m <sup>2</sup> / 200ft <sup>2</sup>	350kPa/ 3,5bar / 50psi	40°C
Opal Ultra 250	50mm/ 63mm (EU)/2"	50l pro min/ 3m <sup>3</sup> /hr/ 11,0gpm	510l pro min/ 30m <sup>3</sup> /hr/ 110,0gpm	23,2m <sup>2</sup> / 250ft <sup>2</sup>	350kPa/ 3,5bar / 50psi	40°C
Opal Ultra 300	50mm/ 63mm (EU)/2"	50l pro min/ 3m <sup>3</sup> /hr/ 11,0gpm	510l pro min/ 30m <sup>3</sup> /hr/ 110,0gpm	27,9m <sup>2</sup> / 300ft <sup>2</sup>	350kPa/ 3,5bar / 50psi	40°C
Opal Ultra 350	50mm/ 63mm (EU)/2"	50l pro min/ 3m <sup>3</sup> /hr/ 11,0gpm	510l pro min/ 30m <sup>3</sup> /hr/ 110,0gpm	32,5m <sup>2</sup> / 350ft <sup>2</sup>	350kPa/ 3,5bar / 50psi	40°C

# OPAL ULTRA GESAMT-DRUCKABFALLKURVEN





## **⚠️ ACHTUNG**

**Schrauben Sie das Manometer in den Deckel und ziehen Sie es, nur zur Abdichtung, handfest an.**

## **TYPISCHE INSTALLATION**

1. Positionieren Sie das Filter möglichst nah am Schwimmbecken/Pool.
2. Stellen Sie das Filter vor Überschwemmungen sicher auf, d. h. fern von Gruben, Dachrinnen, Bodensenken usw.
3. Positionieren Sie das Filter so, dass Rohranschlüsse und Entlüftungsventil für Betrieb, Wartung und Wintervorbereitung einfach und bequem zugänglich sind.
4. Das Typenschild muss für eine einfache Identifizierung nach vorne weisen.
5. Das Filter sollte auf einer ebenen Betonplatte oder sehr festem Untergrund oder Ähnlichem aufgestellt werden. Der Untergrund darf nicht nachgeben, um eine Belastung der angeschlossenen Rohrleitungen zu vermeiden.
6. Eine Bewegung des Filters bei offenem Ablassventil muss vermieden werden.
7. Für die Sichtprüfung der gesamten Anlage sollte ein ausreichender Freiraum um den Filter vorhanden sein.

Stellen Sie das Waterco Opal Ultra Kartuschenfilter an der gewünschten Position auf. Achten Sie darauf, dass es auf einer ebenen, geraden Fläche steht und auf die Pumpe ausgerichtet ist.

Die Einlass- und Auslassanschlüsse des Opal Ultra Kartuschenfilters sind gekennzeichnet.

**Hinweis:** Das Opal Ultra hat zwei Einlassoptionen, einen Einlass für den Wasserzulauf und einen weiteren der mit dem mitgelieferten Einschraubstutzen und dem Stopfen verschlossen wird.

Achten Sie darauf, dass die Rohrleitung vom Auslass der Pumpe mit dem als Einlass markierten Anschluss des Waterco Opal Ultra Kartuschenfilters verbunden wird. Es gibt zwei Rohranschlüsse für den Einlass. Beachten Sie hierzu die Abbildung rechts.

Schrauben Sie die mitgelieferten Halbkuppelstücke und Anschlussleitungen in die Einlass- und Auslassanschlüsse, bevor die UPVC-Rohrleitungen mit dem Filter verklebt werden.



Opal 200 und 250



Opal 300 und 350

## ROHRLEITUNGEN

1. Der ankommende Wasserdruck muss innerhalb des empfohlenen Arbeitsdruckbereichs des Filters liegen. Installieren Sie bei Verwendung von Leitungswasser oder einer Hochdruckpumpe ein Druckbegrenzventil.
2. Bei einer Montage der Pumpe 500 mm oberhalb des Wasserpegels muss ein Boden-/Rückschlagventil installiert werden.
3. Wird der Filter unterhalb des Wasserpegels installiert oder an Leitungswasser angeschlossen, müssen Trennventile am Einlass und Auslass des Filters montiert werden. Dadurch wird ein Wasserdurchfluss bei Routinewartungsarbeiten verhindert.
4. Halten Sie die Rohrlängen und Anzahl der Fittings möglichst klein, um eine Beeinträchtigung des Wasserdurchflusses zu minimieren.
5. Die Anschlüsse aller Rohrleitungen müssen geklebt und abgedichtet werden, um Leckstellen zu vermeiden.
6. Verwenden Sie Klebstoffe auf Lösungsmittelbasis bei Fittings nur sparsam, um keine Probleme bei O-Ringen und Dichtungen zu verursachen.
7. Ziehen Sie Fittings und Adapter nicht zu fest an. Schrauben Sie die mitgelieferten Halbkuppelstücke und Anschlussleitungen in die Einlass- und Auslassanschlüsse, bevor die UPVC-Rohrleitungen mit dem Filter verklebt werden.

## **⚠ ACHTUNG**

**Verwenden Sie für Anschlussrohre und Fittings nur den empfohlenen Kleber.**

Schneiden Sie die Rohre zu und verbinden Sie Rohre und Fittings mit der Pumpe des Waterco Opal Ultra Kartuschenfilters. **BEACHTEN** Sie zum korrekten Anschluss der Pumpenleitungen das Installationshandbuch der Pumpe.

Es **empfiehlt sich**, alle zugeschnittenen Rohrleitungen und Fittings am Filtersystem zu befestigen, **bevor** sie verklebt werden. So wird gewährleistet, dass das System korrekt **ausgerichtet** ist.

Verkleben Sie Rohrleitungen und Fittings mit Pumpe, Filter und Rücklaufleitungen zum Becken und **lassen** Sie den Kleber 24 Stunden lang aushärten, bevor die Anlage in Betrieb genommen wird.

Wir **empfehlen**, das Filter an seinem Standort am Boden festzuschrauben. So wird verhindert, dass sich die Rohrleitungen des Filters durch die Ausdehnung und den Betrieb des Filters in den normalen Arbeitszyklen lösen. Es verhindert außerdem unnötige Belastungen der Rohrleitungen, wenn der Verriegelungsring des Filterdeckels abgeschraubt wird.

**Hinweis:** Verwenden Sie kein flüssiges Dichtungsmittel oder Dichtungsband am Gewinde des Ein- oder Auslasses des Opal Ultra oder den Gewinden der Kuppelstücke. Verwenden Sie für die Anschlussleitungen und Fittings nur den empfohlenen Kleber. Schneiden Sie die Rohrleitungen zu und befestigen Sie Leitungen und Fittings am Opal Ultra und der Pumpe. Beachten Sie zum korrekten Anschluss der Pumpenleitungen das Installationshandbuch der Pumpe. Es empfiehlt sich, alle zugeschnittenen Rohrleitungen und Fittings am Filtersystem zu befestigen, bevor sie verklebt werden. So wird gewährleistet, dass das System korrekt ausgerichtet ist.

Verkleben Sie Rohrleitungen und Fittings mit Pumpe, Filter und Rücklaufleitungen zum Becken und lassen Sie den Kleber 24 Stunden lang aushärten, bevor die Anlage in Betrieb genommen wird.

## **LEITUNGSANSCHLUSS**

1. Verbinden Sie die Rohrleitung vom Auslass der Pumpe mit dem Einlass des Opal Ultra.
2. Verbinden Sie die Leitung vom Auslass des Opal Ultra mit der nächsten Komponente der Filteranlage oder der Wasserrücklaufleitung.
3. Verkleben Sie alle Rohrleitungen mit den Kuppelstücken entsprechend den Anweisungen des Herstellers des Klebers (Lösungsmittels) und lassen Sie sie 24 Stunden aushärten. Bringen Sie nicht zu viel Kleber (Lösungsmittel) auf die Fittings auf, da er in die O-Ringe laufen und Dichtungsprobleme verursachen könnte.

**Hinweis:** Waterco empfiehlt, hinter dem Opal Ultra in der Rücklaufleitung zum Schwimmbecken ein Absperrventil zu installieren, um das Ausspülen der gesammelten Verunreinigungen zu unterstützen.

Beachten Sie bitte den Punkt „Unzureichender Wasserdruck“.

4. Schalten Sie die Schwimmbadpumpe ein. Kontrollieren Sie, dass alle Verbindungen dicht sind. Ziehen Sie bei Bedarf von Hand nach.

## INBETRIEBNAHME

Die Waterco Opal Ultra Kartuschenfilter sind ein einfaches und effizientes Filtersystem, das für jahrelangen störungsfreien Betrieb ausgelegt ist, wenn die folgenden Wartungsmaßnahmen beachtet werden.

Der Start des Filtersystems im Neuzustand oder nach der Reinigung erfolgt in derselben Weise.

1. Kontrollieren Sie, dass alle vor und hinter dem Filter installierten Ventile geöffnet sind.
2. Kontrollieren Sie, dass das Filter korrekt angeschlossen ist. Die Rohrleitung vom Auslass der Pumpe muss mit dem Einlass des Filters verbunden sein.
3. Lösen Sie die Entlüftungsschraube oben am Filterdeckel.
4. Füllen Sie die Pumpe des Schwimmbeckens vor.  
(Beachten Sie das Installations- und Betriebshandbuch der Pumpe).
5. Schalten Sie die Schwimmbeckenpumpe ein und lassen Sie sie laufen, bis die gesamte Luft aus dem Filtergehäuse entwichen ist. An der Entlüftungsschraube tritt nun Wasser aus.
6. Ziehen Sie die Entlüftungsschraube an.
7. Das Filter ist nun gefüllt und betriebsbereit.

In einigen Fällen muss dies mehrmals erfolgen, bevor die Einheit gefüllt bleibt und betriebsbereit ist.

### **⚠ ACHTUNG**

***Beugen Sie sich beim Entlüften des Systems nicht über den Deckel. Wenn sich die Entlüftungsschraube löst, besteht Verletzungsgefahr.***

## WARTUNG

Um eine lange Lebensdauer Ihres Opal Ultra Kartuschenfilters zu erreichen, muss es regelmäßig gewartet werden.

Notieren Sie den Wert am Manometer, wenn das Filter erstmals in Betrieb genommen und entlüftet wurde. Dieser Wert ist als der Betriebsdruck des Filters bekannt und Sie sollten ihn sich merken.

Alle Filtersysteme arbeiten, je nach den Verhältnissen am Schwimmbecken, mit unterschiedlichen Differenzdrücken.

Sie müssen die Filterkartusche (das Filterelement) reinigen, wenn das Manometer einen Wert anzeigt, der 50 kPa (7,2 psi) über dem Betriebsdruck liegt.

Die Waterco Opal Ultra Kartuschenfilter haben einen maximalen Betriebsdruck von 350 kPa/3,5 bar/50 psi.

***BEISPIEL: Das Filter arbeitet normalerweise bei 60 kPa (8,7 psi) und muss bei 110 kPa (16 psi) gereinigt werden.***

**⚠ ACHTUNG****Ziehen Sie den Verriegelungsring des Deckels nicht zu fest an.**

Opal Ultra Kartuschenfilter

1. Lassen Sie zuerst über die Entlüftungsschraube oben am Deckel den Druck ab, der sich im Gehäuse aufgebaut hat. Das Opal Ultra hat eine innovative Verriegelung zur besonders leichten Wartung. Durch eine einfache Drehung des Verriegelungsringes im Uhrzeigersinn wird das Filter sicher verriegelt.

Wenn eine Wartung oder ein Austausch der Kartusche fällig ist, drücken und halten Sie einfach den Verriegelungsbolzen und drehen gleichzeitig den Verriegelungsring gegen den Uhrzeigersinn.

Die innovative Hebeöse im Deckel hebt den Deckel mühelos mit dem Verriegelungsring an und gewährt einen schnellen und leichten Zugang zur Filterkartusche



2. Entfernen Sie die Kartusche aus dem Filtergehäuse.
3. Spritzen Sie die Oberfläche des gefalteten Elements mit einem Gartenschlauch ab. Achten Sie darauf, zwischen den Falten zu reinigen.
4. Setzen Sie die Filterkartusche wieder in das Filtergehäuse ein und achten Sie darauf, dass sie korrekt sitzt.
5. Achten Sie darauf, dass der O-Ring des Deckels korrekt wieder eingesetzt wird.
6. Setzen Sie den Deckel auf das Gehäuse auf und ziehen Sie ihn mithilfe der beiden angegossenen Griffe fest an.
7. Führen Sie den Ablauf zum Start aus, um den Betrieb wieder aufzunehmen.

**Hinweis:** Achten Sie darauf, dass der Verriegelungsbolzen in die Halteösen des Filtergehäuses eingreift, korrekt eingesetzt und angezogen wird, um das Austreten von Wasser zu vermeiden.

Es wird empfohlen, die Filterkartusche regelmäßig zu entnehmen und über Nacht in einer geeigneten Reinigungslösung einzuweichen. Dabei wird der Schmutz entfernt, der durch einfaches Abspritzen des Filterelements nicht beseitigt werden kann.

Einige Händler für Schwimmbadzubehör bieten einen Reinigungsdienst für Filterkartuschen an und verwenden hierbei die korrekten Lösungen. Andernfalls können Sie auch die Waterco-Reinigungslösung für Kartuschenfilter verwenden. Die Anwendung wird auf dem Produkt beschrieben.

Die Reinigungszeit hängt vom Zustand und der Nutzung des Schwimmbeckens ab. Auf keinen Fall sollte das Intervall zwischen den Reinigungen der Filterkartusche länger als 12 Monate sein.

## ALLGEMEINE WARTUNGSANLEITUNG

Beachten Sie bitte die folgenden Punkte, um eine maximale Lebensdauer des Opal Ultra zu erreichen:

1. Reinigen Sie die Filterkartusche regelmäßig nach der Anleitung im Abschnitt „Reinigen des Opal Ultra Filterelements“
2. Achten Sie ständig auf das korrekte chemische Gleichgewicht des Becken-/Poolwassers. Das chemische Gleichgewicht beruht auf der Wechselbeziehung zwischen pH-Wert, Gesamthärte, Kalziumhärte und Wassertemperatur. Beim Wasser müssen stets die folgenden Werte beibehalten werden:

PH-WERT: ZWISCHEN 7,2 UND 7,8.

GESAMTHÄRTE: ZWISCHEN 80 UND 150 ppm.

KALZIUMHÄRTE: ZWISCHEN 150 UND 300 ppm.

Auch ist der Langelier-Sättigungsindex unter Einhaltung dieser Toleranzen auf einen Bereich zwischen -0,2 bis +0,2 einzustellen.

**Hinweis:** Überprüfen Sie mithilfe von Testkits die Wasserqualität. Alternativ dazu können Sie eine Wasserprobe bei einem Fachhändler für Schwimmbadbedarf abgeben.

3. Bei Leitungs- bzw. Grundwasser ist eine Kontrolle erforderlich. Die Sättigung (Lebensdauer des Filters) in Leitungs- bzw. Grundwasser hängt von der Wasserqualität ab.
4. Reinigen Sie das Pumpensieb und die Filterkörbe regelmäßig, um Schäden an Pumpe und Filter zu vermeiden und für einen ordnungsgemäßen Betrieb der Anlage zu sorgen.
5. Tauschen Sie das Manometer aus, wenn es falsche Werte anzeigt.

## VORBEREITUNG FÜR DEN WINTER

Zum Schutz des Filters gegen kalte Witterung (Temperaturen unterhalb des Gefrierpunkts) sind entsprechende Vorbereitungsmaßnahmen für den Winter zu treffen.

1. Schalten Sie die Pumpe ab und schließen Sie das Einlassventil.
2. Öffnen Sie das Entlüftungsventil und danach das Ablassventil, damit das Wasser aus dem Opal Ultra abfließen kann.
3. Entfernen Sie eventuelle Ablaufstopfen aus der Pumpe.
4. Lassen Sie das Wasser aus den Rohrleitungen ab.



# FEHLERBEHEBUNG

SYMPTOME	MÖGLICHE PROBLEME/LÖSUNGEN
<b>Wasser ist nicht klar</b>	Unzureichende Dosierung des Desinfektionsmittels.
	Falsche Wasserchemie.
	Starker Badebetrieb oder hohe Schmutzbelastung.
	Falscher Durchfluss.
	Unzureichende Laufzeiten der Pumpe = Laufzeit der Pumpe erhöhen.
	Filter ist verschmutzt. Nach Anleitung reinigen. Loch im Filterelement.
<b>Geringer Wasserdurchsatz</b>	Siebkörbe auf Verschmutzung kontrollieren.
	Auf eindringende Luft in der Ansaugleitung kontrollieren.
	Ansaug- und Rücklaufleitungen auf Verengungen oder Blockierungen kontrollieren.
	Filter muss gereinigt oder ausgetauscht werden.
	Wasserstand im Becken zu niedrig.
	Pumpe ist nicht mit Flüssigkeit gefüllt.
	Laufschaufeln der Pumpe blockiert.
Keine Siebkörbe vorhanden bzw. nicht regelmäßig gereinigt. Pumpe läuft mit zu niedriger Drehzahl (Unterspannung).	
<b>Kurze Filterzyklen</b>	Algenwachstum, Dosierung des Desinfektionsmittels kontrollieren. pH-Wert und Gesamthärte kontrollieren.
	Durchsatz am Pumpenauslass höher als der Nenndurchsatz des Filters, Leistung der Pumpe kontrollieren.
	Unzureichende Reinigung, Zustand prüfen, Filterkartusche ersetzen.
<b>Hoher Druck bei Inbetriebnahme</b>	Zu kleine Einströmdüsen in Schwimmbecken/Pool.
	Teilweise geschlossenes Ventil in Rücklaufleitung.
	Zu große Pumpe, Dimensionierung überprüfen.
<b>Schmutz gelangt ins Schwimmbecken zurück</b>	Loch in der Filterkartusche, Filterkartusche ersetzen.
	O-Ring im Filter verschlissen, O-Ring ersetzen.

## GARANTIE

Für Opal Ultra gilt eine 10jährige Garantie auf den Behälter und eine einjährige Garantie auf die Verarbeitung.

Für gewerbliche Anlagen gilt eine Garantie von 1 Jahr.

Beachten Sie bitte die Waterco Garantiebedingungen.

**Hinweis:** Eine elektronische Ausgabe des Gewährleistungshefts von Waterco erhalten Sie auf der Waterco-Website [www.waterco.com](http://www.waterco.com) oder durch Scannen des QR-Codes.



# Índice

<b>Filtros de cartucho Waterco Ultra .....</b>	<b>31</b>
<b>Instalación .....</b>	<b>31</b>
<b>Dimensiones .....</b>	<b>31</b>
<b>Especificaciones .....</b>	<b>32</b>
<b>Pérdida de carga .....</b>	<b>32</b>
<b>Instalación habitual .....</b>	<b>33</b>
<b>Sistema de tuberías .....</b>	<b>34</b>
<b>Conexión de fontanería .....</b>	<b>35</b>
<b>Procedimiento de puesta en marcha .....</b>	<b>36</b>
<b>Mantenimiento .....</b>	<b>36</b>
<b>Guía general de mantenimiento .....</b>	<b>38</b>
<b>Hibernación .....</b>	<b>38</b>
<b>Guía de solución de problemas .....</b>	<b>39</b>
<b>Garantía.....</b>	<b>39</b>



**Nota:** Acceso directo al sitio web de Waterco para obtener información adicional sobre los filtros de cartucho Opal Ultra.

## LOS FILTROS DE CARTUCHO OPAL ULTRA DE WATERCO

Los filtros de cartucho Opal Ultra de Waterco no requieren medios como arena o tierra de diatomeas en polvo para funcionar; en su lugar, el filtro contiene un elemento que se puede retirar fácilmente para limpiarlo o reemplazarlo.

Todos los filtros de cartucho Opal son ideales para su uso en piscinas y spas. Los filtros de cartucho Opal Ultra de Waterco también son ideales para su uso cuando el retrolavado no resulta muy práctico.

## INSTALACIÓN

Asegúrese de cumplir con las normativas locales relativas a la fontanería.

Asegúrese de que todos los suministros de tratamiento de aguas residuales cumplen con los códigos locales, territoriales o nacionales. No descargue agua en lugares en los que pueda provocar inundaciones o daños.

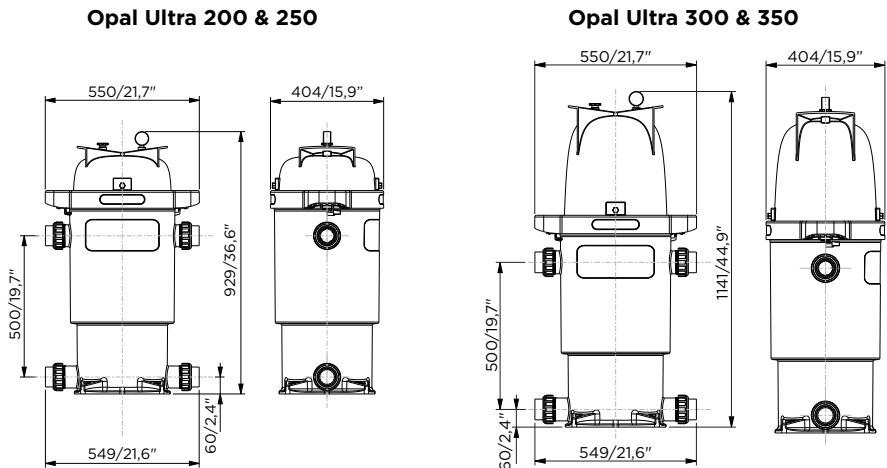
Si la presión del agua entrante es superior a la presión de funcionamiento máxima de 350 kPa/3,5 bar/50 psi, se debe instalar una válvula reductora de presión (VRP) en la sección ascendente de la entrada del filtro.

La VRP debe ajustarse al 90 % de la presión de funcionamiento máxima del depósito.

Si el caudal del agua entrante es inferior a los requisitos mínimos de caudal del filtro, la eficiencia de filtrado del filtro se verá afectada, en cuyo caso deberá ponerse en contacto con Waterco.

Retire el filtro de cartucho de la caja e instale el manómetro en la salida roscada de la tapa del filtro que viene incluida. Con cinta de teflón, envuelva una vez la rosca del manómetro de latón en el sentido de las agujas del reloj y enrósquelo en la salida roscada de la tapa.

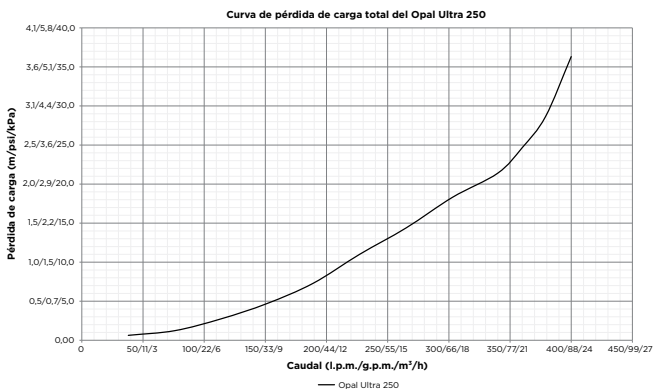
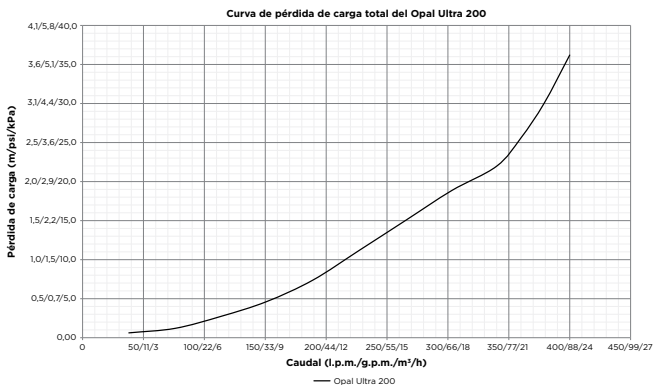
## DIMENSIONES DEL FILTRO DE CARTUCHO (mm/pulg)

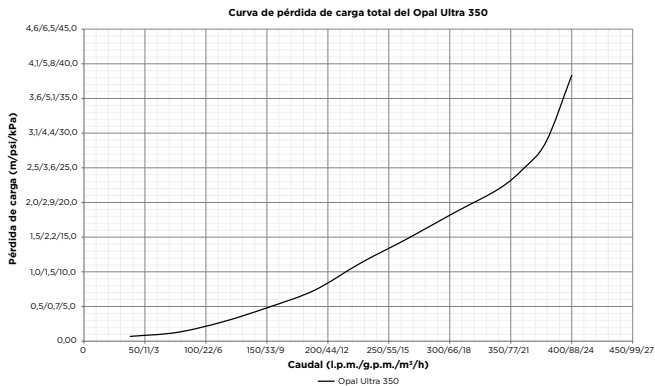
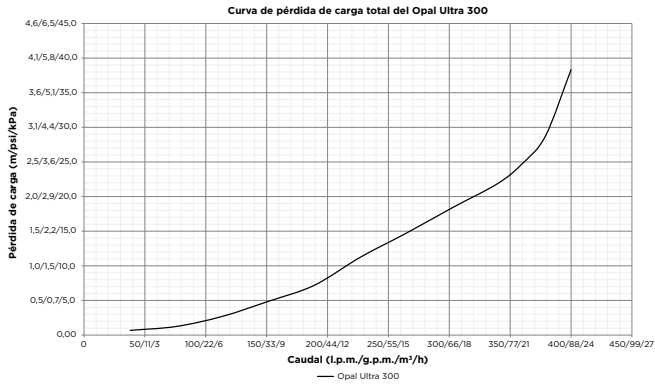


# ESPECIFICACIONES

Descripción del producto y modelo	Puertos de conexión de tuberías de PVC	Caudal mínimo	Caudal máximo	Área filtrante	Presión máxima de trabajo	Temperatura máxima de trabajo
Opal Ultra 200	50mm/ 63mm (UE)/2"	50lpm/ 3m <sup>3</sup> /hr/ 11,0gpm	510lpm/ 30m <sup>3</sup> /hr/ 110,0gpm	18,5m <sup>2</sup> / 200ft <sup>2</sup>	350kPa/ 3,5bar / 50psi	40°C
Opal Ultra 250	50mm/ 63mm (UE)/2"	50lpm/ 3m <sup>3</sup> /hr/ 11,0gpm	510lpm/ 30m <sup>3</sup> /hr/ 110,0gpm	23,2m <sup>2</sup> / 250ft <sup>2</sup>	350kPa/ 3,5bar / 50psi	40°C
Opal Ultra 300	50mm/ 63mm (UE)/2"	50lpm/ 3m <sup>3</sup> /hr/ 11,0gpm	510lpm/ 30m <sup>3</sup> /hr/ 110,0gpm	27,9m <sup>2</sup> / 300ft <sup>2</sup>	350kPa/ 3,5bar / 50psi	40°C
Opal Ultra 350	50mm/ 63mm (UE)/2"	50lpm/ 3m <sup>3</sup> /hr/ 11,0gpm	510lpm/ 30m <sup>3</sup> /hr/ 110,0gpm	32,5m <sup>2</sup> / 350ft <sup>2</sup>	350kPa/ 3,5bar / 50psi	40°C

## CURVAS DE PÉRDIDA DE CARGA TOTAL DEL OPAL ULTRA





## ⚠ PRECAUCIÓN

**Apriete a mano el manómetro en la tapa solo para sellarlo.**

## INSTALACIÓN HABITUAL

1. Coloque el filtro tan cerca de la piscina/spa como sea posible.
2. Coloque el filtro de forma que esté a salvo de inundaciones, alejado de sumideros, canaletas, cavidades en el jardín, etc.
3. Coloque el filtro de forma que las conexiones de tuberías y la válvula de descarga de aire sean cómodas y accesibles para su funcionamiento, mantenimiento e hibernación.
4. Asegúrese de que la etiqueta de cumplimiento esté orientada hacia arriba para facilitar la identificación.
5. El filtro debe colocarse en una losa de hormigón nivelada, un suelo muy firme o un equivalente. Asegúrese de que el suelo no se hundirá, lo que evita así esfuerzos de la tubería sujeta.
6. Asegúrese de que no hay movimientos del filtro durante el funcionamiento de la válvula de purga.
7. Deje una holgura suficiente alrededor del filtro para permitir la inspección visual de todo el sistema.

Coloque el filtro de cartucho Opal Ultra de Waterco en la posición requerida. Asegúrese de que se encuentre sobre una superficie plana y nivelada y alineado con la bomba.

El filtro de cartucho Opal Ultra tiene puertos de entrada y salida marcados.

**Nota:** El Opal Ultra tiene 2 opciones de entrada: una para conectarse al flujo de agua y la otra debe permanecer bloqueada con la unión y el tapón incluidos.

Asegúrese de que la tubería que sale de la salida de la bomba esté conectada a la entrada marcada del filtro de cartucho Opal Ultra de Waterco. Hay dos opciones de conexión para la tubería de entrada; consulte la imagen a la derecha.

Atornille las partes traseras y las uniones de medio tambor a las entradas y salidas antes de pegar las tuberías de UPVC al filtro.



Opal Ultra  
300 ft<sup>2</sup> y 350 ft<sup>2</sup>



Opal 200 y 250



Opal 300 y 350

## SISTEMA DE TUBERÍAS

1. Compruebe que la presión del agua entrante está dentro de la presión de trabajo recomendada del filtro y asegúrese de que haya instalada una válvula de limitación de presión si utiliza agua de la red o una bomba de alta presión.
2. Asegúrese de que haya instalada una válvula de retención/cierre si la bomba está instalada 500 mm/20" por encima del nivel de agua.
3. Si el filtro está instalado por debajo del nivel del agua o conectado al agua de la red, deben instalarse válvulas de aislamiento en la entrada y la salida del filtro. Esto evitará el flujo de agua durante cualquier mantenimiento rutinario.
4. Reduzca al mínimo la longitud de la tubería y el número de empalmes para reducir al mínimo las restricciones del flujo de agua.
5. Asegúrese de que todas las conexiones de tuberías están pegadas y fijadas de forma segura para evitar fugas.
6. Asegúrese de no aplicar exceso de disolventes a los empalmes, ya que podrían colarse en las juntas tóricas y provocar problemas de sellado.
7. No apriete en exceso los empalmes o adaptadores. Atornille las partes traseras y las uniones de medio tambor a las entradas y salidas antes de pegar las tuberías de UPVC al filtro.

**⚠ PRECAUCIÓN**

**Utilice solo el pegamento recomendado para conectar las tuberías y empalmes.**

Corte y ajuste la tubería y los accesorios a la bomba del filtro de cartucho Opal Ultra de Waterco. **CONSULTE** el manual de instalación de la bomba para obtener información sobre el proceso correcto para instalar las tuberías de la bomba.

**Se recomienda** acoplar todos los empalmes y tuberías que se han cortado en el sistema de filtración **antes** de pegar los elementos, ya que de esta forma se asegurará que el sistema **se ha alineado** de manera correcta.

Pegue las tuberías y los empalmes a la bomba, el filtro y las tuberías de retorno de la piscina y **deje** que el pegamento se endurezca durante 24 horas antes de poner en marcha el sistema.

**Se recomienda** atornillar el filtro al suelo en el lugar donde esté ubicado. Esto evitará que el sistema de tuberías de filtración **funcione con los pernos de expansión sueltos** debido a la expansión y el funcionamiento del filtro durante los ciclos regulares. También ayudará a prevenir el estrés innecesario en el sistema de tuberías al desenroscar la anilla de seguridad de la tapa del filtro.

**Nota:** No utilice líquido sellador ni cinta de teflón en las roscas de entrada o salida del Opal Ultra ni en las roscas de unión para conectar las roscas de unión de tambor. Use solo el pegamento recomendado para conectar la tubería y los accesorios. Corte y ajuste la tubería y los accesorios en el Opal Ultra y en la bomba. Consulte el manual de instalación de la bomba para obtener información sobre el proceso correcto para instalar las tuberías de la bomba. Se recomienda acoplar todos los empalmes y tuberías que se han cortado en el sistema de filtración antes de pegar los elementos, ya que de esta forma se asegurará que el sistema se ha alineado de manera correcta.

Pegue las tuberías y los empalmes a la bomba, el filtro y las tuberías de retorno de la piscina y deje que el pegamento se endurezca durante 24 horas antes de poner en marcha el sistema.

## CONEXIÓN DE FONTANERÍA

1. Conecte la tubería que se extiende desde la salida de la bomba a la entrada del Opal Ultra.
2. Lleve a cabo la conexión desde la tubería que se extiende desde la salida del Opal Ultra al siguiente componente en línea con el sistema de filtrado o en la línea de retorno de agua.
3. Pegue todas las tuberías a los empalmes de unión del tambor según las especificaciones del fabricante del pegamento (disolvente) y deje que se endurezca durante 24 horas. Asegúrese de no aplicar exceso de pegamento (disolvente) a los empalmes, ya que podrían colarse en las juntas tóricas y provocar problemas de sellado.

**Nota:** Waterco recomienda instalar una válvula de cierre tras el Opal Ultra en la tubería de retorno de la piscina para ayudar a descargar los restos que se recojan.

Consulte la sección «Presión de agua insuficiente».

4. Encienda la bomba para piscinas. Compruebe que no haya fugas en los conectores. Apriete a mano en caso de que sea necesario.

## PROCEDIMIENTO DE PUESTA EN MARCHA

Los filtros de cartucho Opal Ultra de Waterco son una unidad simple y eficaz que proporcionará años de servicio sin problemas si se siguen los procedimientos de mantenimiento que se describen a continuación.

El proceso para poner en marcha el sistema de filtrado por primera vez o después de una limpieza es el mismo.

1. Asegúrese de que todas las válvulas instaladas antes y después del filtro están abiertas.
2. Asegúrese de que las conexiones de tuberías del filtro son correctas. La tubería de la salida de la bomba debe estar conectada al puerto de entrada del filtro.
3. Afloje el tornillo de purga de aire en la parte superior de la tapa del filtro.
4. Ceba la bomba de piscina.  
(Consulte el manual de instalación y funcionamiento de la bomba).
5. Encienda la bomba de piscina y deje que funcione hasta que se haya expulsado todo el aire del recipiente del filtro. El agua se drenará a través del tornillo de purga de aire.
6. Apriete el tornillo de purga de aire.
7. El filtro se ha cebado y está listo para su funcionamiento.

En algunos casos es posible que esta operación deba llevarse a cabo varias veces antes de que la unidad permanezca en estado de cebado y sea totalmente funcional.

### PRECAUCIÓN

***No se ponga de pie sobre la tapa mientras ajuste el tornillo para purgar el aire del sistema. Es probable que se produzcan lesiones si se afloja el tornillo.***

## MANTENIMIENTO

Para asegurarse de obtener la máxima duración de los filtros de cartucho Opal Ultra, deberá mantener el filtro con regularidad.

Cuando se ponga en marcha el filtro por primera vez y se haya purgado de aire, registre la presión del manómetro. Esto es lo que se conoce como la presión de funcionamiento del filtro y se trata de un número que es importante conocer.

Todos los sistemas de filtración funcionan con una presión diferente según el sistema hidráulico de la piscina.

Deberá limpiar el cartucho de filtro (elemento) una vez que el manómetro haya alcanzado los 50 kPa (7,2 psi) por encima de la presión de funcionamiento.

Los filtros de cartucho Opal Ultra de Waterco tienen una presión máxima de funcionamiento de 350 kPa/3,5 bar/50 psi.

***EJEMPLO: si el filtro funciona normalmente a 60 kPa (8,7 psi), se debe limpiar a 110 kPa (16 psi).***



**⚠ PRECAUCIÓN****No apriete en exceso la anilla de seguridad de la tapa.**

Filtros de cartucho Opal Ultra

1. Primero, a través del tornillo de purga de aire ubicado en la parte superior de la tapa abovedada, libere cualquier presión acumulada dentro del depósito. El filtro Opal Ultra cuenta con un innovador mecanismo de bloqueo diseñado para un mantenimiento sencillo. Con tan solo girar la anilla de seguridad en el sentido de las agujas del reloj, se puede fijar el filtro en su lugar.

Cuando llegue el momento de mantener o reemplazar el cartucho, simplemente mantenga presionado el émbolo de bloqueo a la vez que gira la anilla de seguridad en sentido antihorario.

La lengüeta de elevación integrada en la tapa la levanta sin esfuerzo junto con la anilla de seguridad, lo que brinda acceso rápido y fácil al cartucho del filtro.



2. Retire el elemento del cartucho del depósito de filtro.
3. Mediante una manguera, limpie la superficie de los elementos plisados, y asegúrese de limpiar entre los pliegues.
4. Vuelva a colocar el cartucho de filtro en el depósito y asegúrese de que esté instalado correctamente.
5. Asegúrese de que el sello de goma de la tapa se reinstale correctamente.
6. Coloque la tapa abovedada sobre el depósito y apriétela con los dos mangos moldeados.
7. Consulte los procedimientos de puesta en marcha para volver a poner en marcha el funcionamiento.

**Nota:** Asegúrese de que el émbolo de bloqueo de la anilla de seguridad pase por las lengüetas de sujeción del depósito del filtro y esté correctamente instalado y apretado para evitar fugas de agua.

Se recomienda retirar el filtro del cartucho de forma periódica para bañarlo por la noche en un compuesto de limpieza para cartuchos adecuado, para eliminar así los restos que no se hayan podido deshacer al limpiar con la manguera el elemento.

Algunas tiendas para piscinas ofrecen servicios de limpieza para cartuchos con las soluciones adecuadas; de lo contrario, también puede optar por utilizar la solución de limpieza para cartuchos de Waterco. Las instrucciones de uso se muestran en el producto.

El tiempo de limpieza depende del estado y el uso de la piscina. Los intervalos de limpieza del elemento no deberían ser superiores a doce meses en cualquier caso.

# GUÍA GENERAL DE MANTENIMIENTO

Para asegurar la máxima vida útil del Opal Ultra, siga estos procedimientos:

1. Limpie el elemento del cartucho de filtro con frecuencia de acuerdo con las instrucciones que se muestran en la sección «Elemento del cartucho de filtro del Opal Ultra».
2. Mantenga un equilibrio químico correcto del agua de su piscina/spa. El equilibrio químico del agua es una relación entre su pH, la alcalinidad total, la dureza de calcio y la temperatura del agua. El agua debe mantenerse en todo momento como se indica a continuación:

NIVEL DE PH: ENTRE 7,2 y 7,8.

ALCALINIDAD TOTAL: ENTRE 80 y 150 p. p. m.

DUREZA DE CALCIO: ENTRE 150 y 300 p. p. m.

Del mismo modo, dentro de estas tolerancias debe estar equilibrada según el Índice de Saturación de Langelier dentro de un rango de -0,2 a +0,2.

**Nota:** Hay disponibles kits de prueba para que pruebe el agua usted mismo o para que lleve una muestra del agua a una tienda especializada en piscinas y spa.

3. Los suministros de agua de la red y de agua rural deben estar controlados. La saturación (vida) en agua de la red o la ola (agua rural) variará en función de la calidad del agua.
4. Para evitar daños en la bomba y en el filtro y para que el sistema funcione adecuadamente, limpie el depurador de la bomba y las cestas espumadoras regularmente.
5. Sustituya el manómetro si se observan lecturas defectuosas.

## HIBERNACIÓN

Deben llevarse a cabo procedimientos de hibernación adecuados para proteger el filtro en climas fríos (temperaturas por debajo del punto de congelación).

1. Desconecte la bomba/cierre la válvula de entrada.
2. Abra la válvula de descarga de aire y la válvula de purga para expulsar el agua del Opal Ultra.
3. Retire los tapones de drenaje del filtro.
4. Vacíe el agua de las conexiones de tuberías.

# GUÍA DE SOLUCIÓN DE PROBLEMAS

SÍNTOMAS	SOLUCIONES/PROBLEMAS POSIBLES
<b>El agua no es transparente.</b>	Niveles de desinfectante insuficientes.
	Química de piscina incorrecta.
	Mucha gente bañándose o cargas de suciedad elevadas.
	Caudal incorrecto.
	Tiempos de funcionamiento insuficientes = Aumente el tiempo de funcionamiento de la bomba.
	El filtro está sucio. Límpielo de acuerdo con las instrucciones.
<b>Caudal bajo</b>	Abertura en el elemento filtrante.
	Compruebe las cestas de los depuradores en busca de residuos.
	Compruebe si hay pérdidas de aire en el lado de la aspiración.
	Compruebe si hay obstrucciones o bloqueos en las tuberías de aspiración o retorno.
	El filtro debe limpiarse o sustituirse.
	Nivel de agua en la piscina excesivamente bajo.
	Bomba no cebada.
	Álabes del impulsor de la bomba bloqueados.
<b>Ciclos de filtro cortos</b>	Las cestas de los depuradores no se utilizan o no se limpian con frecuencia.
	Bomba en funcionamiento con velocidad excesivamente baja (baja tensión).
	Presencia de algas; compruebe el contenido del desinfectante.
	Compruebe el nivel de pH y alcalinidad total.
<b>Presión elevada en la puesta en marcha</b>	Rendimiento de la bomba mayor que el caudal diseñado; compruebe el rendimiento de la bomba.
	Limpieza ineficaz, verifique las condiciones, reemplace el cartucho del filtro.
	Boquilla de retorno pequeña en la piscina/spa.
<b>La suciedad vuelve a la piscina</b>	Válvula parcialmente cerrada en la tubería de retorno.
	Bomba demasiado grande, compruebe la selección.
<b>La suciedad vuelve a la piscina</b>	Agujero en el cartucho del filtro, reemplazar el cartucho del filtro.
	Sello de junta tórica desgastado dentro del filtro, reemplazar la junta tórica.

## GARANTÍA

Opal Ultra está cubierto por una garantía de 10 años para el depósito y una garantía de 1 año para la mano de obra.

Las instalaciones comerciales están cubiertas con una garantía de 1 año.

Consulte las condiciones de la garantía de Waterco.

**Nota:** Puede encontrar una copia del folleto de la garantía de Waterco en la página web de Waterco, [www.waterco.com](http://www.waterco.com), o si escanea el código QR.



# 目录

运水高 OPAL ULTRA 筒型过滤器 .....	41
安装 .....	41
尺寸 .....	41
技术参数 .....	42
水头损失 .....	42
典型安装 .....	43
管道系统 .....	44
管道连接 .....	45
启动程序 .....	46
维护 .....	46
一般维护指南 .....	48
防冻 .....	48
故障排查指南 .....	49
质保 .....	49



注意: 请直接访问运水高网站，  
进一步了解 Opal Ultra 筒型过滤器。

## 运水高 OPAL ULTRA 筒型过滤器

运水高 OPAL ULTRA 筒型过滤器不需要砂石或硅藻土等介质，而是在缸体内包括一个可轻松拆卸以清洁或更换的筒型滤芯。

所有型号的 Opal 筒型过滤器均非常适用于游泳池和水疗池。对于无法进行反冲洗的情况，运水高 OPAL ULTRA 筒型过滤器也是理想选择。

## 安装

务必遵守当地的管道系统规范。

确保所有废水处理做法符合当地、州/省或国家法规。切勿将水排放到可能引起洪水或损坏的地方。

如果进水压力高于最大工作压力 350kPa/3.5Bar/50psi，则必须在过滤器进水口上游安装压力调节阀。

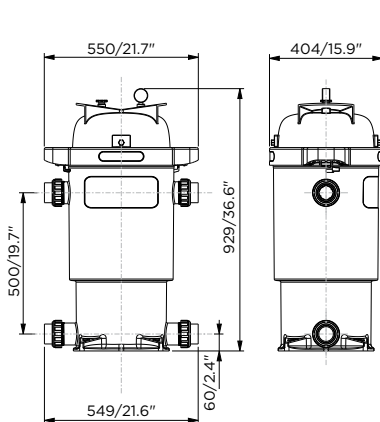
压力调节阀应设置为水罐最大工作压力的 90%。

如果进水流速低于过滤器的最小流速要求，过滤器的过滤效率将会受到影响，请咨询运水高。

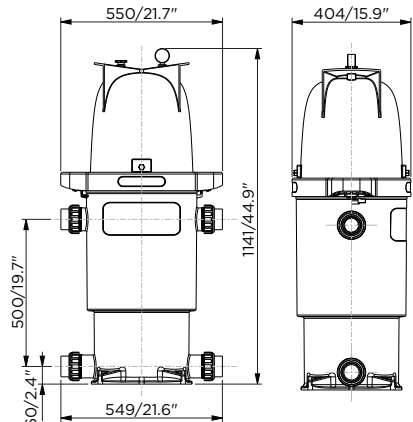
从包装内取出筒型过滤器，将随附的压力表安装到过滤器盖子上的螺纹端口。使用特氟隆带，按顺时针方向将黄铜压力表的螺纹缠绕一圈，然后拧入盖子上的螺纹端口。

## 筒型过滤器的尺寸（毫米/英寸）

Opal Ultra 200 和 250



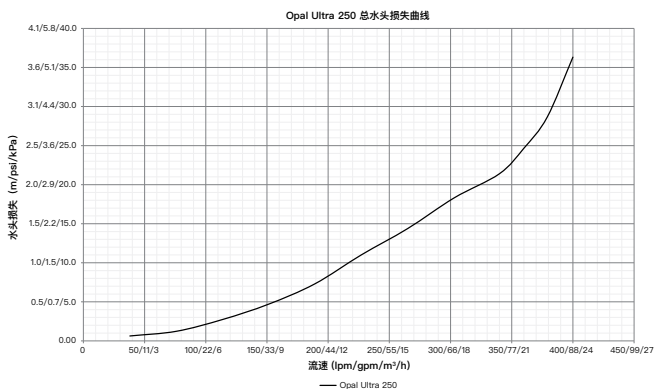
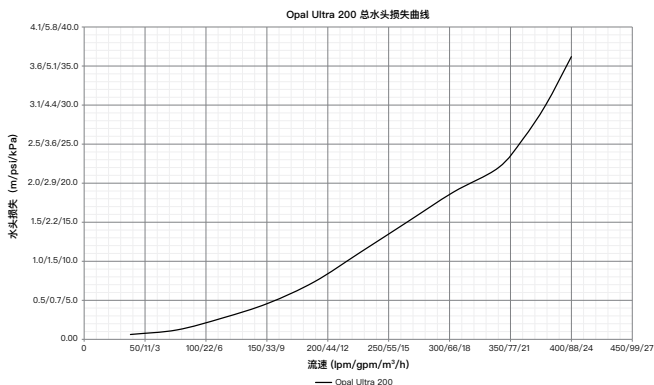
Opal Ultra 300 和 350

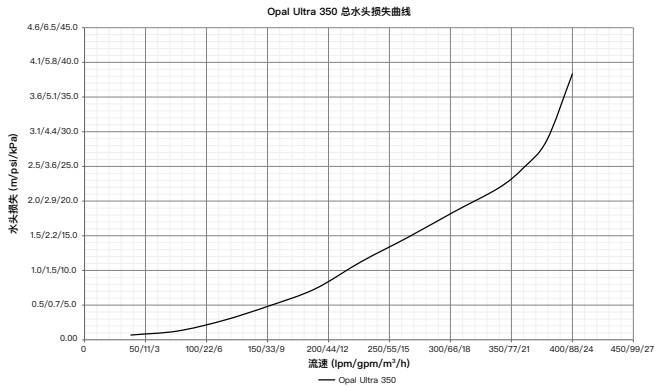
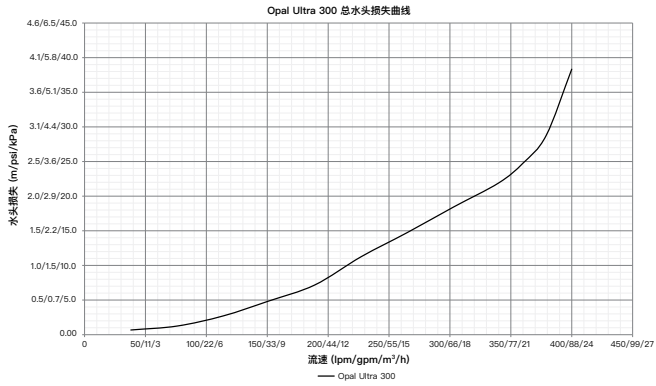


# 技术参数

产品描述及型号	PVC管连接端口	最小流速	最大流速	过滤面积	最大工作压力	最大工作温度
Opal Ultra 200	50mm/ 63mm (欧盟)/2"	50lpm/ 3立方米 <sup>3</sup> /小时/ 11.0gpm	510lpm/ 30立方米 <sup>3</sup> /小时/ 110.0gpm	18.5立方米 <sup>2</sup> / 200英尺 <sup>2</sup>	350kPa/ 3.5bar / 50psi	40°C
Opal Ultra 250	50mm/ 63mm (欧盟)/2"	50lpm/ 3立方米 <sup>3</sup> /小时/ 11.0gpm	510lpm/ 30立方米 <sup>3</sup> /小时/ 110.0gpm	23.2立方米 <sup>2</sup> / 250英尺 <sup>2</sup>	350kPa/ 3.5bar / 50psi	40°C
Opal Ultra 300	50mm/ 63mm (欧盟)/2"	50lpm/ 3立方米 <sup>3</sup> /小时/ 11.0gpm	510lpm/ 30立方米 <sup>3</sup> /小时/ 110.0gpm	27.9立方米 <sup>2</sup> / 300英尺 <sup>2</sup>	350kPa/ 3.5bar / 50psi	40°C
Opal Ultra 350	50mm/ 63mm (欧盟)/2"	50lpm/ 3立方米 <sup>3</sup> /小时/ 11.0gpm	510lpm/ 30立方米 <sup>3</sup> /小时/ 110.0gpm	32.5立方米 <sup>2</sup> / 350英尺 <sup>2</sup>	350kPa/ 3.5bar / 50psi	40°C

## OPAL ULTRA 总水头损失曲线





### 警告

仅出于密封目的，请用手将压力表拧紧至盖内。

## 典型安装

1. 将过滤器放置在尽可能靠近泳池/水疗池的位置。
2. 将过滤器放置在不会被洪水淹没且远离污水坑、排水沟、花园洼地等的位置。
3. 放置过滤器时，应确保管道连接和排气阀方便且易于操作、维修和防冻。
4. 确保合规标签面向正面，以便于识别。
5. 过滤器应放置在水平混凝土板、非常坚固的地面或类似界面上。确保地面不会下沉，以防对连接的管道产生任何压力。
6. 排污阀运行期间确保过滤器不发生移动。
7. 过滤器周围留有足够的间隙，以便目视检查整个系统。

将运水高 Opal Ultra 筒型过滤器放置在所需的位置。确保其处于平坦的水平面并与水泵对齐。

Opal Ultra 筒型过滤器上标有进水口和出水口。

**注意：**Opal Ultra 提供 2 个进水口选择，一个用于与水泵连接，另一个则使用随附的半接头和塞子保持堵塞状态。

确保将延伸自水泵出水口的管道连接至运水高 Opal Ultra 筒型过滤器上标记的进水口。如右图所示，有两个进水口管道连接选项。

将 UPVC 管道粘合到过滤器上之前，将随附的半管活接头和尾管接头拧到进水口和出水口上。



Opal 200 & 250



Opal 300 & 350



Opal Ultra  
300 ft<sup>2</sup> & 350 ft<sup>2</sup>

## 管道系统

1. 检查进水压力是否在过滤器的建议工作压力范围内；如果使用自来水或高压泵，应确保安装限压阀。
2. 如果水泵安装位置超过水位以上 500 毫米（20 英寸），应安装底阀/止回阀。
3. 如果过滤器安装在水位以下或连接到自来水，应在过滤器的进水口和出水口位置安装隔离阀。这将防止在日常维护过程中出现水流。
4. 尽量减少管道长度和接头数量，以此将对水流的限制降至最低。
5. 确保所有管道连接均已粘合并紧固，以防泄漏。
6. 确保接头处不要涂抹过多的溶剂，以防其进入“O”型圈并产生密封问题。
7. 切勿过度拧紧接头或适配器。将 UPVC 管道粘合到过滤器上之前，将随附的半管活接头和尾管接头拧到进水口和出水口上。



**警告**

仅使用推荐的粘合剂连接管道和接头。

将管道和接头按需切割，并安装到水泵和运水高 Opal Ultra 筒型过滤器上。请参阅水泵安装手册，了解正确的水泵管道安装程序。

最佳做法是在粘合之前将所有切割好的管道和接头安装到过滤系统上以检查适配情况；这将确保系统已正确对齐。

将管道和接头粘合到水泵、过滤器和泳池回流管路上，静待粘合剂凝固24小时，然后再调试系统。

建议将过滤器用螺栓固定到地面上。这将防止过滤管道随着过滤器在正常循环期间的膨胀和运行而导致 **DYNA 螺栓松动**。这还有助于防止在拧松过滤器盖子上的锁环时对管道产生不必要的压力。

**注意:** 切勿在 Opal Ultra 进水口或出水口的螺纹上或连接管道活接头的螺纹上使用液体密封胶或螺纹胶带。仅使用推荐的粘合剂连接管道和接头。将管道和接头按需切割并安装到 Opal Ultra 和水泵上。请参阅水泵安装手册，了解正确的水泵管道安装程序。最佳做法是在粘合之前将所有切割好的管道和接头安装到过滤系统上；这将确保系统已正确对齐。

G将管道和接头粘合到水泵、过滤器和泳池回流管路上，静待粘合剂凝固24小时，然后再调试系统。

## 管道连接

1. 将管道从水泵出水口连接到 Opal Ultra 的进水口
2. 将 Opal Ultra 出水口的管道连接到过滤系统的下一个组件或回水管路上。
3. 根据粘合剂（溶剂）制造商的规格，将所有管道粘合到管道活接头上，然后静置24小时待其凝固。确保接头处不要涂抹过多的粘合剂（溶剂），以防其进入“O”型圈并产生密封问题。

**注意:** 运水高建议，在 Opal Ultra 之后的泳池回流管路上安装截止阀，以帮助冲洗收集到的杂物。

请参阅“水压不足”部分。

4. 打开泳池水泵。务必检查各连接处是否有泄漏。如有需要，用手拧紧。

## 启动程序

运水高 Opal Ultra 筒型过滤器是一款简单而有效的装置，只要遵循以下维护程序，便可以无障碍运行多年。

无论是新安装好还是在清洁工作之后，该过滤系统的启动流程完全相同。

1. 确保安装在过滤器之前或之后的所有阀门均打开。
2. 确保过滤器管道连接正确。水泵出水口的管道必须连接至过滤器的进水口。
3. 松开过滤器盖子顶部的排气螺钉。
4. 启动泳池水泵。  
(请参阅水泵安装和操作手册)。
5. 打开泳池水泵让其运行，直到所有空气从过滤容器中排出。水将从排气螺钉处流出。
6. 拧紧排气螺钉。
7. 过滤器已做好运行准备。

在某些情况下，可能需要执行几次此操作才能帮助设备准备好完全运行。

### 警告

调节排气阀以清除系统内的空气时，切勿站在盖子上方。如果排气螺钉松动，可能会导致受伤。

## 维护

为尽可能延长 Opal Ultra 筒型过滤器的使用寿命，您需要定期对其进行维护。

当过滤器首次启动并清除空气后，记录压力表上的压力。该数值即为过滤器的工作压力，了解它很重要。

所有过滤系统将根据泳池的水力在不同压力下运行。

一旦压力表上的数值高于工作压力 50kPa (7.2psi)，便意味着需要清洁滤筒（滤芯）。

运水高 Opal Ultra 筒型过滤器的最大工作压力为 350kPa/3.5Bar/50psi。

*例如：如果过滤器的正常工作压力是 60kPa (8.7psi)，则需要在 110kPa (16psi) 的压力下清洗。*

**警告**

切勿过度拧紧盖子的锁环。

## Opal Ultra 筒型过滤器

1. 首先，通过位于圆顶盖顶部的放气螺钉，释放缸体内积聚的压力。Opal Ultra 采用易于维护的创新性锁定机制。只需顺时针旋转锁环，即可将过滤器牢固地锁定到位。

需要维护或更换滤芯时，只需在按住锁塞的同时，逆时针旋转锁环即可。

安装在盖子上的创新吊耳可轻松将盖子与锁环一并提起，让您快速轻松地检修滤芯。

2. 从缸体内拆下滤芯。
3. 使用浇花用的软管清洁褶皱状滤芯的表面，确保清洁褶皱之间的缝隙。
4. 将滤芯放回缸体内，确保安装就位。
5. 确保重新将盖子上的“O”型圈安装好。
6. 将圆顶盖放回缸体上，并使用两个模压手柄拧紧。
7. 请参阅启动程序以重新开始运转。

**注意：**确保锁紧环的锁塞穿过缸体的固定吊耳并正确安装且拧紧，以防止漏水。

建议定期取出滤芯，并将其浸泡在合适的滤芯清洁剂中过夜。这样做将清除冲洗滤芯时未清除的任何杂物。

有些泳池商店使用正确的溶液提供滤芯清洁服务；否则，您可以使用运水高的滤芯清洁溶液。产品上有使用说明。

清洁时间取决于游泳池的状况和使用情况。在任何情况下，对滤芯的清洁间隔不应超过 12 个月。



# 一般维护指南

为确保 Opal Ultra 的最长使用寿命，请遵循以下步骤：

1. 按照“Opal Ultra 滤芯元件”下的说明定期清洁滤芯部分。
2. 将泳池/水疗池的水质维持在正确的化学平衡。水质化学平衡涉及 pH 值、总碱度、钙硬度和水温。水质必须始终维持在以下状态：  
PH 值：7.2 和 7.8 之间。  
总碱度：80 和 150ppm 之间。  
钙硬度：150 和 300ppm 之间。  
此外在这些公差范围内，应将朗格利尔饱和指数平衡在 -0.2 至 +0.2 之间。  
**注意：**您可使用试剂盒自行检测水质，也可将水质样本送到专业泳池和水疗中心检测。
3. 需监控自来水和农村用水的供应情况。自来水（生活用水）或者水井（农村用水）的饱和度将根据水质的不同而变化。
4. 为防止损坏水泵和过滤器，以及正确操作系统，应定期清洁水泵滤网和浮渣滤篮。
5. 如果观察到读数错误，应更换压力表。

## 防冻

在寒冷气候（温度低于冰点）下，应始终对过滤器采取适当的防冻措施。

1. 关闭水泵/关闭进水口阀。
2. 打开排气阀并打开排污阀，让水从 Opal Ultra 中流出。
3. 拆下水泵上的所有排水塞。
4. 排出管道中的水。

# 故障排查指南

症状	潜在问题/解决方案
池水浑浊	消毒剂浓度不足。
	泳池所用化学品不适合。
	泳池负担过重和/或污物过多。
	流量不正确。
	运行时间不足 = 增加水泵运行时间。
	过滤器过脏。按照说明进行清洁。
	滤芯上有孔。
流水过缓	检查过滤篮内是否有杂物。
	检查吸入侧是否漏气。
	检查吸入管或回流管是否受限或堵塞。
	过滤器需要清洁或更换。
	泳池水位过低。
	水泵未启动。
	水泵叶轮片堵塞。
	未使用过滤篮和/或未定期清洁过滤篮。
水泵在低速（低电压）下运行。	
过滤周期短	存在藻类，检查消毒剂含量。
	检查 pH 值和总碱度。
	水泵的输出超过过滤器的设计流速，检查水泵的性能。
	无效清洁，检查各部件的状况、更换滤芯。
启动时压力大	泳池/水疗池回流口处的配件过小。
	回流管路上的阀门部分关闭。
	水泵太大，检查是否需要更换。
污物流回泳池	滤芯上有孔洞，更换滤芯。
	过滤器内的“O”型圈密封件磨损，更换“O”型圈。

## 质保

Opal Ultra 缸体的质保期为 10 年，劳工部件的质保期为 1 年。

商业安装有一年的质保期。

\* 请参阅运水高公司的质保条款。

**注意：** 请访问运水高官网 [www.waterco.com](http://www.waterco.com) 或扫描二维码，获取运水高质保手册的电子版。



**Note/Remarque/Hinweis/Nota/注意:**

**Note/Remarque/Hinweis/Nota/注意:**

**OFFICES - AUSTRALIA**  
**BUREAUX - AUSTRALIE**  
**NIEDERLASSUNGEN - AUSTRALIEN**  
**OFICINAS: AUSTRALIA**  
办事处 澳大利亚

NSW - SYDNEY HEAD OFFICE  
SIÈGE SOCIAL  
HAUPTSITZ  
OFICINA CENTRAL  
总部  
Tel : +61 2 9898 8686

VIC/TAS - MELBOURNE  
Tel : +61 3 9764 1211

WA - PERTH  
Tel : +61 8 9273 1900

QLD - BRISBANE  
Tel : +61 7 3299 9900

SA/NT - ADELAIDE  
Tel : +61 8 8244 6000

ACT DISTRIBUTOR  
Tel : +61 2 6280 6476

**OFFICES - OVERSEAS**  
**BUREAUX - MONDE**  
**NIEDERLASSUNGEN - INTERNATIONALE**  
**OFICINAS - EXTRANJERO**  
海外办事处

WATERCO (EUROPE) LIMITED  
SITTINGBOURNE, KENT, UK  
TEL : +44 (0) 1795 521 733

WATERCO USA  
AUGUSTA, USA  
TEL : +1 706 793 7291

WATERCO CANADA  
BOUCHERVILLE, QUEBEC, CANADA  
TEL : +1 450 748 1421

WATERCO (NZ) LIMITED  
AUCKLAND, NEW ZEALAND  
TEL : +64 9 525 7570

WATERCO (C) LIMITED  
GUANGZHOU, CHINA  
TEL : +8620 3222 2180

WATERCO (FAR EAST) SDN BHD  
SELANGOR, MALAYSIA  
TEL : +60 3 6145 6000

PT WATERCO INDONESIA  
JAKARTA, INDONESIA  
TEL : +62 21 4585 1481

WATERCO SINGAPORE INTL PTE LTD  
MIDVIEW CITY, SINGAPORE  
TEL : +65 6344 2378

WATERCO VIETNAM COMPANY LIMITED  
HO CHI MINH CITY, VIETNAM  
TEL : +84 28 3622 7780

**WATERCO**

Waterco Limited ABN 62 002 070 733

