



MULTICYCLONE DUO



www.waterco.com

**CENTRIFUGAL FILTRATION/
FILTRATION CENTRIFUGE/
ZENTRIFUGALFILTER/
FILTRACIÓN CENTRÍFUGA/
离心预过滤**

**Installation and Operation Manual
Manuel d'installation et d'utilisation
Installations- und Betriebshandbuch
Manual de instalación y
funcionamiento
安装和操作手册**



⚠ WARNING

This equipment must be installed and serviced by a qualified technician. Improper installation can create electrical hazards which could result in property damage, serious injury or death. Improper installation will void the warranty.

⚠ AVERTISSEMENT :

L'installation et l'entretien de cet équipement doivent être confiés à un technicien qualifié. Une installation incorrecte risque de provoquer des dégâts, des blessures graves, voire même la mort. Une installation et (ou) utilisation incorrecte(s) va (vont) rendre la garantie nulle et non avenue.

⚠ WARNHINWEIS

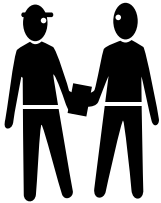
Dieses Gerät muss von einem qualifizierten Techniker installiert und gewartet werden. Eine unsachgemäße Installation kann elektrische Gefahren erzeugen, die zu Sachschäden, schweren Verletzungen oder zum Tod führen können. Eine unsachgemäße Installation führt zum Erlöschen der Garantie.

⚠ ADVERTENCIA

El equipo lo debe instalar y mantener un técnico formado. Una instalación incorrecta puede originar riesgos de tipo eléctrico que pueden causar daños materiales, lesiones graves o la muerte. Una instalación incorrecta invalidará la garantía.

⚠ 警告

本设备必须由具备相关资质的人员安装和维护。安装不当易造成电气隐患，进而导致财产受损、人员伤亡。若本设备安装不当，其所附质保将随



Notice to installer/Consignes destinées à l'installateur/Hinweis für den Installateur/Nota para el instalador/安装人员注意事项

This manual contains important information about the installation, operation and safe use of this product. Once the product has been installed **this manual must be given to the owner/operator of this equipment.**

Le présent manuel contient des informations importantes relatives à l'installation, au fonctionnement et à l'utilisation sûre de ce produit. Une fois le produit installé, le présent manuel doit être remis au propriétaire **ou à l'exploitant du présent équipement.**

Dieses Handbuch enthält wichtige Informationen über die Installation, den Betrieb und die sichere Verwendung dieses Produkts. **Nach der Installation des Produkts muss diese Anleitung dem Besitzer bzw. Bediener dieser Anlage übergeben werden.**

Este manual contiene información importante sobre la instalación, el funcionamiento y el uso seguro de este producto. Una vez que el producto se haya instalado, **este manual debe entregarse al propietario/operador de ese equipo.**

本手册内含本产品安装、操作及安全使用的重要说明。一旦产品安装完成，**必须将本手册交还设备的所有者或操作人员**

Note:

English
Table of **Contents**

GENERAL SAFETY RULES	01
MULTICYCLONE DUO	02
MULTICYCLONE DUO TOTAL HEAD LOSS CURVE	04
INSTALLATION	05
START UP PROCEDURES	08
MULTICYCLONE DUO FILTER MAINTENANCE	08
INSUFFICIENT WATER PRESSURE.....	09
FILTER CARTRIDGE MAINTENANCE	10
GENERAL MAINTENANCE GUIDE.....	12
WINTERISING	12
TROUBLESHOOTING GUIDE.....	13
WARRANTY	13



Note: Direct access to the Waterco website for additional details on the MultiCyclone DUO Filters.

GENERAL SAFETY RULES

1. The machines & equipment mentioned in the manual are specially designed for the pre-filtering and re-circulation of water in swimming pools.
2. They are designed to work with clean water at a temperature not exceeding **40 degrees Celsius (104 degrees Fahrenheit)**.
3. The installation should be carried out in accordance to the safety instructions of swimming pools, especially Standard HD 60364-7-702, and the specific instructions for each facility.
4. The rules enforce on accident prevention should be carefully followed.
5. Any modification of the pump requires the prior consent of the manufacturer. Original replacement parts and accessories authorised by the manufacturer ensure a high level of safety. The manufacturer of the pump assumes no liability for the damage and injuries caused by un-authorised replacement parts and accessories.
6. During operation, some parts of the pump and other equipment are subject to dangerous electric voltage. Work may only be performed on each pump or on the equipment connected to it after disconnecting them from the mains power, and after disconnecting the starting device.
7. The user should make sure that assembly and maintenance tasks are carried out by qualified authorised persons and that these persons have first carefully read the instructions for service and installation.
8. The operating safety of the pump and other equipment is only guaranteed if the installation and service instructions are correctly followed.
9. The limit values stated in the technical table should not be exceeded under any condition.
10. In the event of defective operation or fault, contact the technical support department of the manufacturer or its nearest authorised agents.
11. If the supply cord is damaged, it must be replaced by an authorised service agent.
12. The appliance is not intended for use by persons (including children) with reduced physical, sensory or mental capabilities, or lack of experience and knowledge, unless they have been given supervision or instruction concerning use of the appliance by a person responsible for their safety, and if they understand the hazards involved.
13. The appliance is not intended for use by young children. Young children should be supervised to ensure that they do not play with the appliance.
14. All wiring (electrical work) must be carried out by licensed electricians and must be installed in accordance to the local codes.
15. If the pump and or other equipment is to be installed on a swimming pool or pond situation it is mandatory that an earth leakage circuit breaker with a rated tripping current not exceeding 30mA be installed.
16. Always disconnect the appliance from the supply before assembling, disassembling or cleaning.
17. In freezing conditions, water must be drained out completely from the pump housing by opening the drain plugs on the pump housing.

For Use in Europe:

1. This appliance is not intended for use by persons (including children aged from 8 and above) with reduced physical, sensory or mental capabilities, or lack of experience and knowledge, unless they have been given supervision or instruction concerning use of the appliance by a person responsible for their safety.
2. Children should be supervised to ensure that they do not play with the appliance.
3. Cleaning and user maintenance shall not be made by children without supervision.

MULTICYCLONE DUO

Enjoy crystal-clear pool water with minimal effort.

Our innovative filter combines the centrifugal filtration of MultiCyclone and cartridge filtration in a compact design, offering superior performance and convenience.

- Dual stage filtration.
- Minimal maintenance.
- Save water and energy.
- 16 hydrocyclones.
- DUO 200 18.5m²/200ft² & 23.2m²/250ft² pleated filter cartridge.



Dual stage filtration

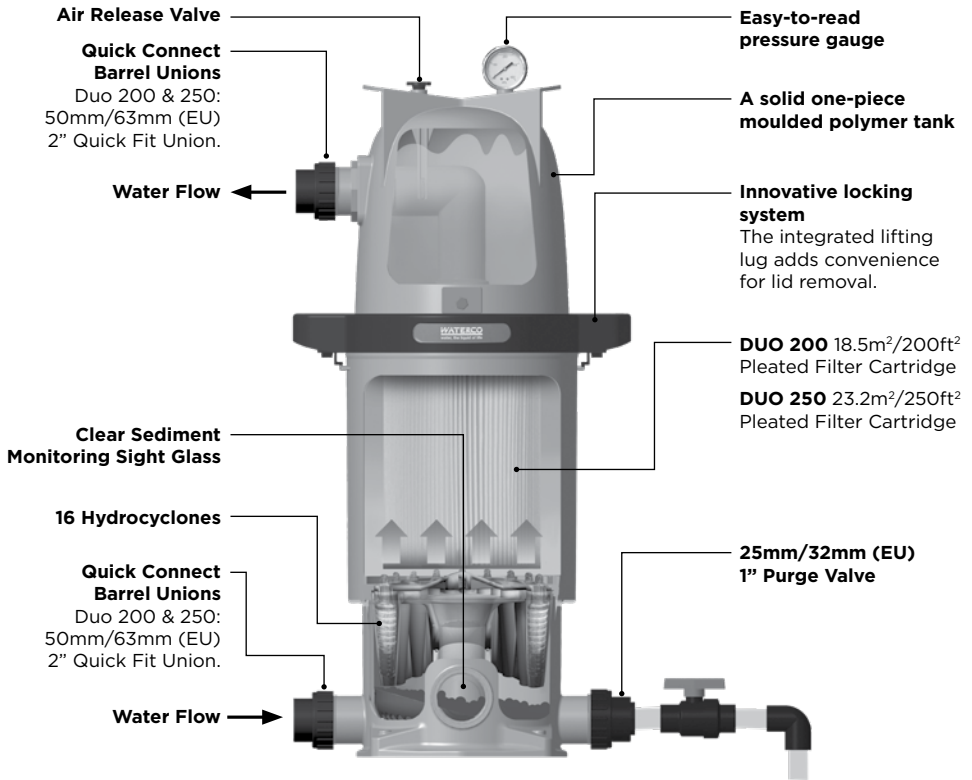
1. Tangential Entry: Incoming water enters 16 hydrocyclones tangentially, creating a powerful centrifugal force.
2. Sediment Separation: Heavier particles are spun outward and spiral down to the clear sediment chamber for easy monitoring.
3. Clean Water Exit: Clean, filtered water flows to the center of the hydrocyclone and exits.

Simple maintenance

MultiCyclone DUO sediment chamber is easily cleaned by opening its purge valve. Only 28 litres (6 gallons) of water is discharged.

Extended filter capacity

The MultiCyclone DUO centrifugal section filter pre-filters up to 80% of the incoming dirt load before it reaches the filter cartridge, magnifying the capacity of its filter cartridge by up to 5 times. MultiCyclone DUO has a filtration capacity equivalent to a 92.5m²/1000ft² & MultiCyclone DUO, 116m²/1250ft² cartridge filter.



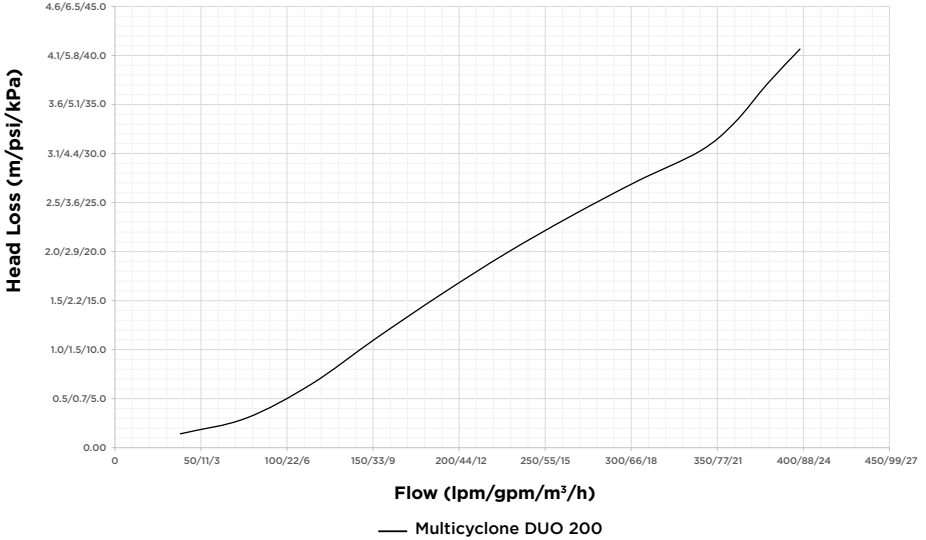
Note: The MultiCyclone DUO centrifugal section is designed to filter sediment that is heavier than water; floating debris cannot be filtered out by centrifugal filtration.

Note: Above image represents MultiCyclone DUO 200 with 18.5m²/200ft² filter cartridge & MultiCyclone DUO 250 23.2m²/250ft² filter cartridge.

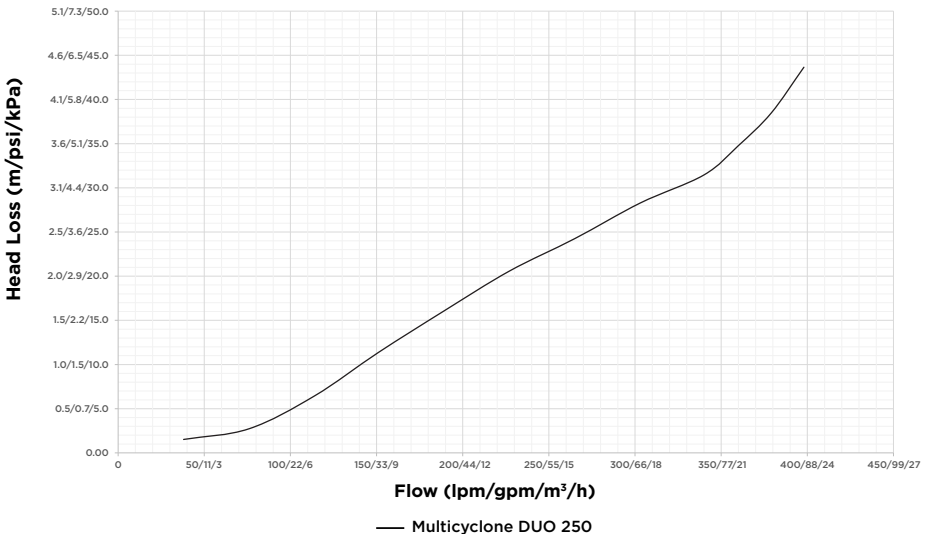
Description	Connection Ports	Min. Flow	Max. Flow	Filter Area	Max. Working Pressure	Max. Temp.
MULTICYCLONE DUO 200	50mm/63mm (EU)/2"	50lpm/ 3m ³ /hr/ 11.0gpm	500lpm/ 30m ³ /hr/ 110.0gpm	18.5m ² / 200ft ²	350kPa/ 3.5bar	40°C
MULTICYCLONE DUO 250	50mm/63mm (EU)/2"	50lpm/ 3m ³ /hr/ 11.0gpm	500lpm/ 30m ³ /hr/ 110.0gpm	23.2m ² / 250ft ²	350kPa/ 3.5bar	40°C

MULTICYCLONE DUO 200 & 250 TOTAL HEAD LOSS CURVE

MultiCyclone DUO 200 Total Head Loss Curve



MultiCyclone DUO 250 Total Head Loss Curve



INSTALLATION

Be sure to comply with the local plumbing codes.

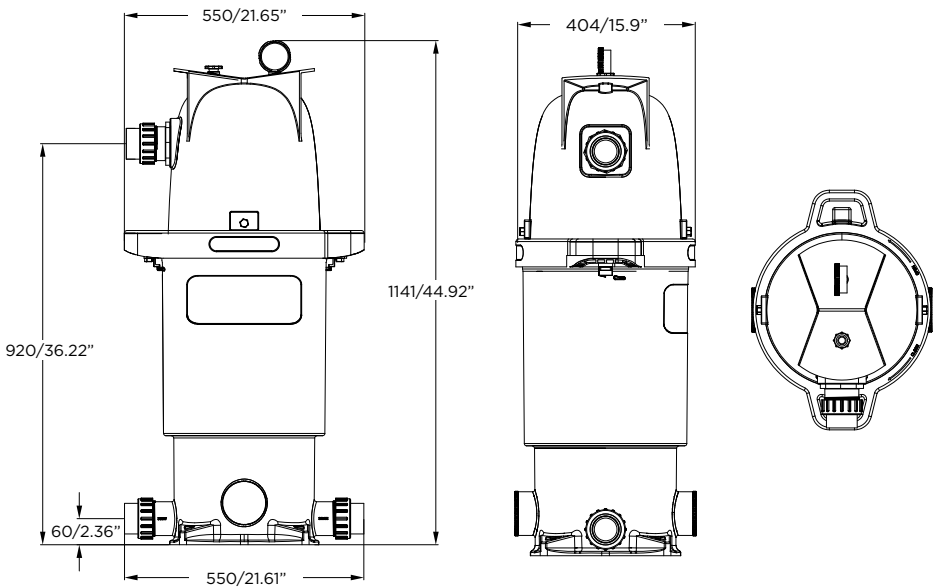
Be sure that all provisions for wastewater disposal meet local, state or national codes. Do not discharge water where it will cause flooding or damage.

If the incoming water pressure is higher than the maximum operating pressure of 350kPa/3.5Bar/50psi, a Pressure Regulating Valve (PRV) must be installed upstream of the filter inlet.

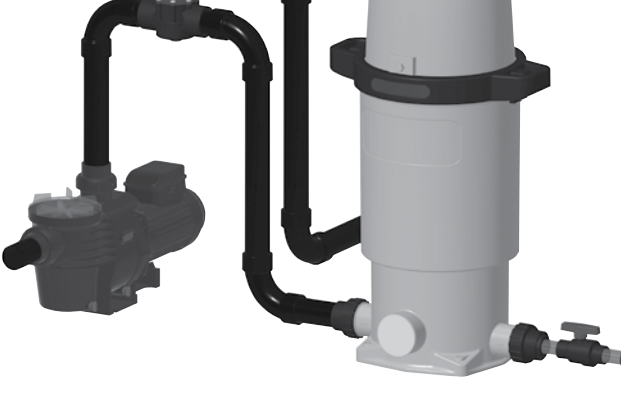
The PRV should be set to 90% of the maximum operating pressure of the tank.

If the incoming water flow is less than the filter's minimum flow requirements, the filter's filtration efficiency will be affected, please consult Waterco.

Filter Size Specification (mm/in")



Typical Installation

1. Position the filter as close to the Swimming Pool/ Spa as possible.
 2. Position the filter so that it is free from flooding, away from sumps, guttering, garden hollows, etc.
 3. Position the filter so that the piping connections purge valve and air release valve is convenient and accessible for operation, servicing and winterising.
- 
4. Ensure that the compliance label is facing the front to allow easy identification.
 5. The filter should be placed on a level concrete slab, very firm ground, or equivalent. Ensure that the ground will not subside, preventing any strain from the attached plumbing.
 6. Ensure that there is no movement of the filter during operation of the purge valve.
 7. Allow sufficient clearance around the filter to permit visual inspection of the entire system.

Plumbing

1. Check that the incoming water pressure is within the filter's recommended working pressure and ensure that a pressure limiting valve is installed if using mains water or a high pressure pump.
2. Ensure that a foot valve/non return valve are installed if the pump is installed 500mm/20" above the water level.
3. If the filter is installed below the water level or connected to mains water, isolation valves should be installed at the inlet and outlet of the filter. This will prevent water flow during any routine maintenance.
4. Minimise the length of pipe and the number of fittings to minimise restrictions to water flow.
5. Ensure that all plumbing connections are glued and tightened securely to prevent leaking.
6. Ensure solvents are not excessively applied to fittings as this could run into "o"-rings and create sealing problems.
7. Do not over tighten fittings or adapters.

Screw the supplied half barrel unions and tails onto the inlet and outlet before gluing the UPVC piping onto the filter.

⚠ CAUTION

Note: Do not use liquid sealant or thread tape on the thread of the inlet or outlet threads of the MultiCyclone or connecting barrel union threads.

Use only recommended glue for connection pipe and fittings

Cut and fit the pipe and fittings onto the MultiCyclone DUO and the pump. **Refer** to Pump Installation Manual for correct pump plumbing procedures.

It is **best practice** to fit all the cut pipe and fittings onto the filtration system **before** gluing; this will ensure that the system has **been aligned** correctly.

Glue the pipe and fittings onto the pump, filter and pool return lines and **allow** the glue to set for **24 hours** before commissioning the system.

Plumbing Connection

1. Connect the pipe extending from the pump outlet to the inlet of the MultiCyclone DUO
2. Connect from the pipe extending from the outlet of the MultiCyclone DUO to the next component in line with the filtration system or water return line.
3. Glue all plumbing to barrel union fittings in accordance with glue (solvent) manufactures specifications and allow 24 hours to set. Ensure glue (solvent) is not excessively applied to fittings as this could run onto “o”-rings and create sealing problems.

Note: Waterco recommends that a shut off valve be installed after the MultiCyclone DUO on the pool return line to assist with flushing out the collected debris. Please refer to “Insufficient Water Pressure”.

4. Turn on pool pump. Be sure to check that there are no leaks from the connectors. If required, tighten by hand.

START UP PROCEDURES

The MultiCyclone DUO is an advanced and highly efficient filter system that will provide years of trouble free service if the following maintenance procedures are maintained.

To start up the filtration system either from new or after cleaning is exactly the same.

1. Ensure that the MultiCyclone DUO is plumbed correctly.
2. Ensure that all valves installed before and after the MultiCyclone DUO are open.
3. Loosen the air release valve on top of the MultiCyclone DUO filter lid.
4. Prime the swimming pool pump. (*Refer to the pump installation and operation manual*).
5. Turn on the swimming pool pump and allow the pump to run until all the air has been expelled from the MultiCyclone DUO. Water will run from the air release valve.
6. Re-tighten the air release valve.
7. The filter is primed and ready for operation.

Note: In some cases this may be required to be done a few times before the unit will remain primed and be fully operational.

⚠ CAUTION

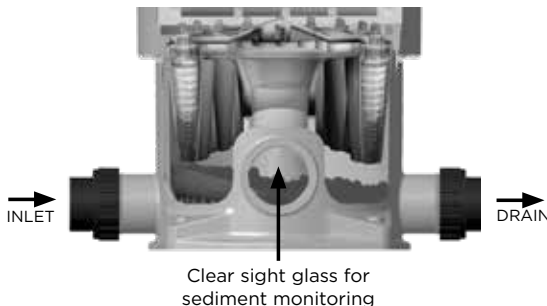
Do not stand over the lid of the MultiCyclone DUO whilst adjusting the air release valve to purge the system of air.

Injury may occur if air release valve becomes loose.

MULTICYCLONE DUO FILTER MAINTENANCE

The MultiCyclone DUO filter maintenance is determined by the following conditions:

1. The sediment chamber is half filled with sediment. This accumulation of sediment can be visibly monitored through the MultiCyclone DUO clear sight glass. The MultiCyclone DUO is cleaned by simply opening the purge valve. Only 28 litres (6 gallons) of water is discharged to clean the MultiCyclone of sediment.



2. A pressure gauge reading of 50kPa (7.2psi) above the operating pressure may result in a reduced flow rate that is insufficient to meet the requirements of the pool.

Example: Filter operates normally at 60kPa (8.2psi) needs to be cleaned at 110kPa (16psi).

Flush out the sediment chamber

With pump running:

Whilst the water pump is running simply open the sediment purge valve until the sediment has been flushed out. This is visible through the clear sediment chamber. Once the sediment has been flushed out, close the purge valve.

Without pump running:

Alternatively, switch the pump, off. Open the air release valve and then open the purge valve. The water will drop through the MultiCyclone DUO flushing out most of the debris from the sediment chamber. Then close the air release valve and turn on the pump and the turbulence of the water entering the sediment chamber will flush out the rest of the sediment. Once the sediment chamber has been cleansed, close the purge valve, start the pump and close the air release valve once water is flowing out through the air release valve.

INSUFFICIENT WATER PRESSURE

In situations where the water flow from the pump is not powerful enough purge the sediment out of the sediment chamber. Waterco recommends fitting a 2 way valve after the MultiCyclone DUO on the pool water return line.

The 2 way valve is used to throttle the flow of water out of the MultiCyclone DUO, increasing water turbulence through the sediment chamber and improving its purging action.

Whilst the pump is operating, open the purge valve, and then partially close the 2 way valve, throttling the water flow sufficiently to purge the sediment chamber of trapped sediment. Once the sediment chamber is clean, open the 2 way valve and then close the purge valve.

⚠ CAUTION

Do not close the 2 way valve prior to opening the purge valve and do not close the purge valve while the 2 way valve is closed or partially closed. Both valves should never be closed or partially closed at the same time.

FILTER CARTRIDGE MAINTENANCE

To ensure maximum life from your MultiCyclone DUO filter cartridge you need to maintain the filter cartridge regularly.

When the filter is first started and has been purged of air, note the pressure on the pressure gauge. This is what is known as the filter operating pressure and it is important that you be aware of this figure.

All filtration systems will operate at different pressures depending on the pool hydraulics.

You will need to clean the filter cartridge once the pressure gauge has reached 50kPa (7.2psi) above the operating pressure.

Example : Filter operates normally at 60kPa (8.2psi) needs to be cleaned at 110kPa (16psi).

Cartridge Element Cleaning

Prior to removing the MultiCyclone DUO cartridge filter's lid, you will need to release the pressure from the filter cartridge housing. With the pump off, loosen the air release valve on top of the MultiCyclone DUO filter lid to release pressure from the filter housing.

1. The MultiCyclone DUO filter features a innovative locking mechanism designed for unparalleled convenience. With a simple clockwise turn of the lock ring, you can securely lock the filter in place.

Note: Ensure the locking ring's locking plunger passes the filter tank's retaining lugs and is properly installed and tightened to prevent water leaks.

When it's time for cartridge replacement, simply press and hold the lock plunger while simultaneously turning the lock ring anti-clockwise. The innovative lifting lug integrated into the lid effortlessly lifts the lid together with the lock ring, granting you quick and easy access to the filter cartridge.

2. Remove the filter cartridge element from the filter housing.
3. Using a garden type hose clean the surface of the pleated element. Make sure to clean between the cartridge element pleats.
4. Place the filter cartridge element back into the filter housing ensuring that it is seated correctly.
5. Ensure the lid "o"-ring is clean of any debris and is correctly seated into filter body "o"-ring groove prior to lid being refitted.

6. Place the lid onto the filter housing & align the Lid:
 - Ensure the lid is correctly aligned with the filter tank.

7. Refit retaining clamp band"

Turn the locking ring clockwise until you hear a distinct clicking sound. This indicates that the lock plunger has engaged with the locking lugs on the tank.

Tightening retaining nuts using a 25mm (1") open-end spanner/adjustable wrench ensuring the lid is correctly fitted.

Important Note:

Sufficient Tightening: It's crucial to tighten the locking ring enough to ensure a secure fit and not tilted. Insufficient tightening can lead to leaks.

Visual Inspection: After tightening, visually inspect the lid to make sure it's securely in place.

Note: Ensure the locking ring's locking plunger passes the filter tank's retaining lugs and is properly installed and tightened to prevent water leaks.

If you're unsure about the process, or if you encounter any difficulties, it's recommended to consult the user manual for your specific filter model or seek assistance from a qualified technician.

8. Refer to the start up procedure to recommence operation.

⚠ CAUTION

Do not over tighten the lid retaining nuts.

It is suggested that you should periodically remove the filter cartridge element and soak it over night in a suitable cartridge cleaning compound. This will remove any debris not removed by hosing down of the filter cartridge element.

Some swimming pool stores offer a filter element cartridge cleaning service using the correct solutions otherwise you may wish to use Waterco cartridge element cleaning solution. Directions of use are on the product.

The cleaning time depends upon the swimming pool condition and use. Intervals between cleaning the cartridge element should not exceed a period of 6 months in any instance.

GENERAL MAINTENANCE GUIDE

To ensure the maximum life of the MultiCyclone DUO, please follow the procedures below:

1. Clean the filter cartridge element regularly according to the instructions set under "MultiCyclone Filter Cartridge Element"
2. Maintain a correct chemical balance of your pool/spa water. The chemical balance of water is a relationship between its pH, total alkalinity, calcium hardness and water temperature. The water must be maintained at all times to the following:

PH LEVEL	:	BETWEEN 7.2 & 7.8.
TOTAL ALKALINITY	:	BETWEEN 80 & 150ppm.
CALCIUM HARDNESS	:	BETWEEN 150 & 300ppm.

Also, within these tolerances be balanced to the Langelier Saturation Index within a range of -0.2 to +0.2.

Note: Testing kits are available to test the water yourself or alternately bring a sample of the water to a professional pool and spa shop.

3. Mains water and rural water supplies need to be monitored. Saturation (life) in mains water or bore (rural) will vary depending on water quality.
4. To prevent damage to the pump and filter and for proper operation of the system, clean pump strainer and skimmer baskets regularly.
5. Replace the pressure gauge if faulty readings are observed.

WINTERISING

Proper winterising procedures should always be taken in order to protect your filter in cold climates (temperatures below freezing point).

1. Switch off the Pump/Close the inlet valve.
2. Open the air release valve and open the purge valve to allow water to flow out of the MultiCyclone DUO.
3. Remove any drain plugs from the pump.
4. Drain water from the pipe work.

TROUBLESHOOTING GUIDE

Symptoms	Possible Problems/Solutions
Water Is Not Clear	Insufficient disinfectant level.
	Incorrect pool chemistry.
	Heavy bathing and/ or dirt loads.
	Incorrect flow.
	Insufficient running times. (Increase pump run time.)
	Filter is dirty. (Clean per instructions.)
	Hole in filter element.
	Air leak on suction line
	Pump impeller vanes blocked
	Other restrictions include (pool suction cleaners) resistance from other inline equipment such as strainers.
Pump not primed.	
Low Water Flow	Check strainer baskets for debris.
	Check for air leaks on suction side.
	Check for restrictions or blockage in either suction or return lines.
	Filter needs to be cleaned or replaced.
	Pool water level too low.
	Pump not primed.
	Pump impeller vanes blocked.
	Strainer baskets not being used and/ or not being cleaned regularly.
Pump operating under speed (low voltage).	
Short Filter Cycles	Presence of algae, check disinfectant content.
	Check pH and total alkalinity.
	Pump output exceeds design flow rate of filter, check pump performance.
	Ineffective cleaning, check conditions, replace filter cartridge.
High Pressure on Start Up	Small eyeball fitting in Pool/ Spa.
	Partially closed valve on return line.
	Too large of pump, check selection.
Dirt Returns to Pool	Hole in filter cartridge, replace filter cartridge.
	Worn "o"-ring seal inside filter, replace o-ring.

WARRANTY

MultiCyclone DUO is covered by a 10 year warranty on the Duo tank, 3 years on Multicyclone components and 1 year warranty on labour. Commercial installations are covered by a 1 year warranty.

Please refer to Waterco's warranty terms and conditions.

Note: An electronic copy of the Waterco warranty booklet is available at the Waterco website www.waterco.com or by scanning the QR code.



Matières

REGLES GENERALES DE SECURITE	15
MULTICYCLONE DUO	16
COURBE DE PERTE DE HAUTEUR MANOMETRIQUE DU MULTICYCLONE.....	18
INSTALLATION	19
PROCEDURE DE DEMARRAGE	22
ENTRETIEN DU FILTRE DU MULTICYCLONE	22
PRESSION D'EAU INSUFFISANTE	23
ENTRETIEN DE LA CARTOUCHE FILTRANTE	24
GUIDE D'ENTRETIEN GENERAL	26
PREPARATIFS POUR L'HIVER	26
GUIDE DE RECHERCHE DES PANNES	27
GARANTIE	27



Remarque : Accès direct au site web de Waterco pour plus d'informations sur les filtres MultiCyclone DUO.

REGLES GENERALES DE SECURITE

1. Les machines et l'équipement mentionnés dans le présent manuel sont spécifiquement conçus pour préfiltrer de l'eau des piscines et assurer sa recirculation.
2. Ils sont conçus pour fonctionner avec une eau propre à une température maximum de **40 degrés Celsius (104 degrés Fahrenheit)**.
3. L'installation doit être réalisée conformément aux consignes de sécurité en vigueur pour les piscines, **notamment a celles définies par la norme HD 60364-7-702**, ainsi que les consignes propres à chaque installation.
4. Les règles applicables en matière de prévention des accidents doivent être scrupuleusement observées.
5. Toute modification de la pompe requiert **l'accord préalable du fabricant**. L'emploi de pièces de rechange et d'accessoires d'origine autorisés par le constructeur garantit une sécurité de haut niveau. Le fabricant décline toute responsabilité en cas de dégâts ou blessures **occasionnes par l'emploi de pieces de rechange et d'accessoires qui ne sont pas autorises**.
6. Pendant le fonctionnement de la pompe, certaines pièces sont soumises à des tensions électriques dangereuses. Les travaux sur chaque pompe ou sur l'équipement qui y est relié doivent uniquement être effectués après **les avoir débranchés et après avoir coupé l'alimentation secteur et le système de mise en marche**.
7. **L'utilisateur doit s'assurer que l'installation et l'entretien sont confiés** à des personnes qualifiées et autorisées, ainsi que ces personnes ont soigneusement lu les consignes d'installation et d'entretien au préalable.
8. L'utilisation en toute sécurité de la pompe et des autres équipements est uniquement garantie si les consignes d'installation et d'entretien sont respectées à la lettre.
9. Les valeurs limites énoncées dans le tableau indiquant les spécifications techniques **ne doivent en aucun cas être dépassées**.
10. En cas de défaillance ou de panne, contactez l'assistance technique du fabricant ou le représentant agréé le plus proche.
11. Si le cordon d'alimentation est endommagé, il doit être remplacé par un représentant agréé pour entretenir la pompe.
12. L'appareil n'est pas conçu pour être utilisé par des personnes (y compris les enfants) qui présentent des capacités physiques, sensorielles ou mentales réduites, qui manquent d'expérience et de connaissances, excepté si elles sont supervisées ou conseillées sur l'utilisation de l'appareil par une personne responsable de leur sécurité et qu'elles ont conscience des risques encourus.
13. L'appareil n'est pas conçu pour être utilisé par de jeunes enfants. Les jeunes enfants doivent être surveillés afin de s'assurer qu'ils ne jouent pas avec l'appareil.
14. Tous les travaux de câblage (électrique) doivent être réalisés par des électriciens agréés et l'installation doit être conforme aux codes applicables sur votre territoire.
15. S'il est prévu d'installer la pompe et/ou d'autres équipements dans une piscine ou un bassin, il est obligatoire d'installer un disjoncteur différentiel avec courant de déclenchement nominal maximum de 30 mA.
16. Débranchez toujours l'appareil de l'alimentation avant de le monter, de le démonter ou de le nettoyer.
17. En cas de gel, l'eau doit être entièrement évacuée du boîtier de la pompe en ouvrant les bouchons de purge situés sur ledit boîtier.

Pour toute utilisation en Europe:

1. Cet appareil n'est pas conçu pour être utilisé par des personnes (y compris les enfants de 8 ans et plus) qui présentent des capacités physiques, sensorielles ou mentales réduites, qui manquent d'expérience et de connaissances, excepté si elles sont supervisées ou conseillées sur l'utilisation de l'appareil par une personne responsable de leur sécurité.
2. Les enfants doivent être surveillés afin de s'assurer qu'ils ne jouent pas avec l'appareil.
3. Les enfants ne doivent pas nettoyer et entretenir l'appareil sans supervision.

MULTICYCLONE DUO

Profitez d'une eau de piscine limpide avec un effort minimum.

Notre filtre innovant associe filtration centrifuge du MultiCyclone et filtre à cartouche dans une conception compacte, offrant une performance supérieure et un côté pratique.

- Filtration à deux niveaux.
- Entretien minimal.
- Économie d'eau et d'énergie.
- 16 hydrocyclones.
- Cartouche filtrante plissée DUO 200 18,5 m²/200 pi.² & 23,2 m²/250 pi.².



Filtration à deux niveaux

1. Entrée tangentielle : L'eau entrante pénètre 16 hydrocyclones de façon tangentielle, créant une force centrifuge puissante.

2. Séparation des sédiments : Les particules plus lourdes sont expulsées vers l'extérieur et descendent en spirale vers le collecteur de sédiments transparent pour faciliter la surveillance.

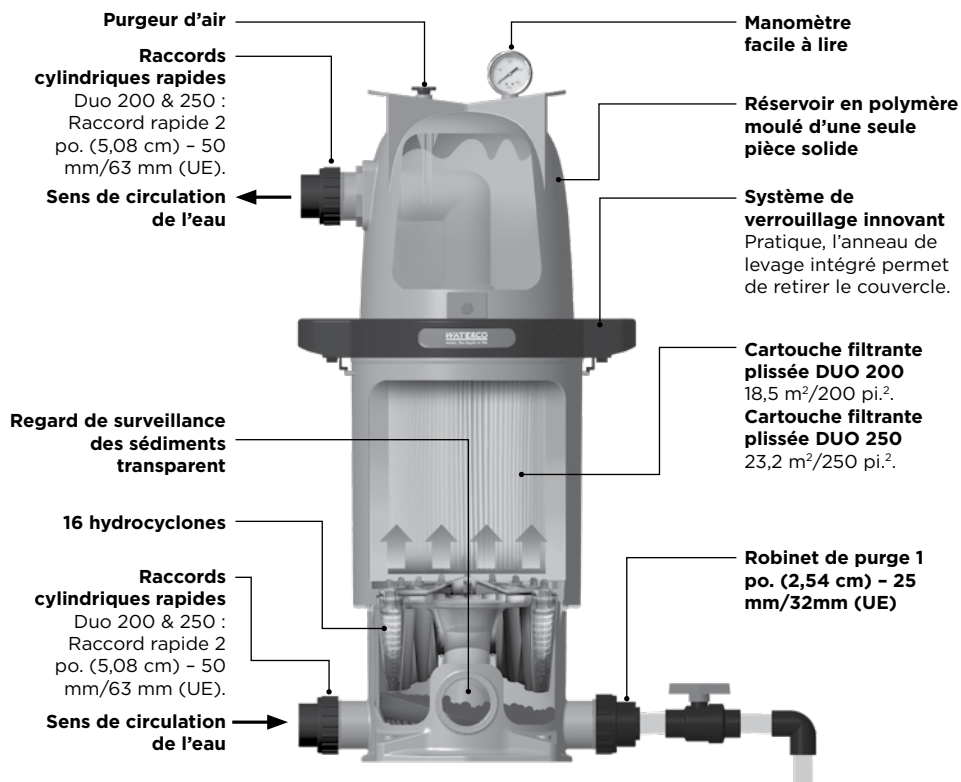
3. Sortie d'eau propre : L'eau claire filtrée s'écoule vers le centre de l'hydrocyclone et sort.

Simple à entretenir

Le collecteur de sédiments du MultiCyclone DUO se nettoie facilement en ouvrant le robinet de purge. Seuls 28 litres (6 gallons) d'eau sont alors évacués.

Capacité de filtration accrue

Le filtre centrifuge du MultiCyclone DUO préfiltre jusqu'à 80% d'impuretés avant qu'elles atteignent la cartouche filtrante. Il peut par conséquent permettre de multiplier la capacité de la cartouche filtrante par 5. Le MultiCyclone DUO a une capacité de filtration équivalant à 92,5 m²/1 000 pi.² & un filtre à cartouche de 116 m²/1 250 pi.².



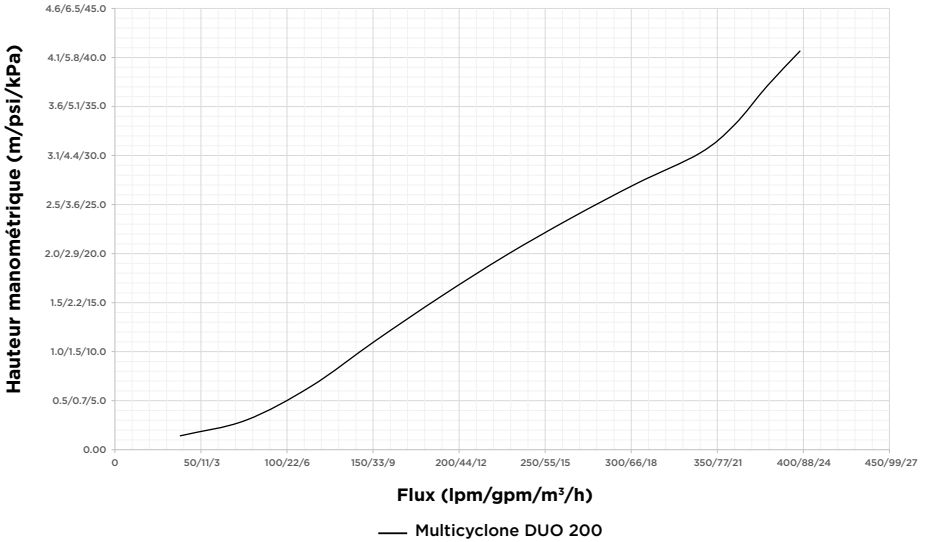
Remarque: le mouvement centrifuge du MultiCyclone DUO a été conçu pour filtrer les sédiments qui sont plus lourds que l'eau. Les saletés qui flottent ne peuvent pas être filtrées et évacuées par filtration centrifuge.

Remarque: Le filtre centrifuge du MultiCyclone DUO préfiltre jusqu'à 80% d'impuretés avant qu'elles atteignent la cartouche filtrante. Il peut par conséquent permettre de multiplier la capacité de la cartouche filtrante par 5. Le MultiCyclone DUO a une capacité de filtration équivalant à 92,5 m²/1 000 pi.² & un filtre à cartouche de 116 m²/1 250 pi.².

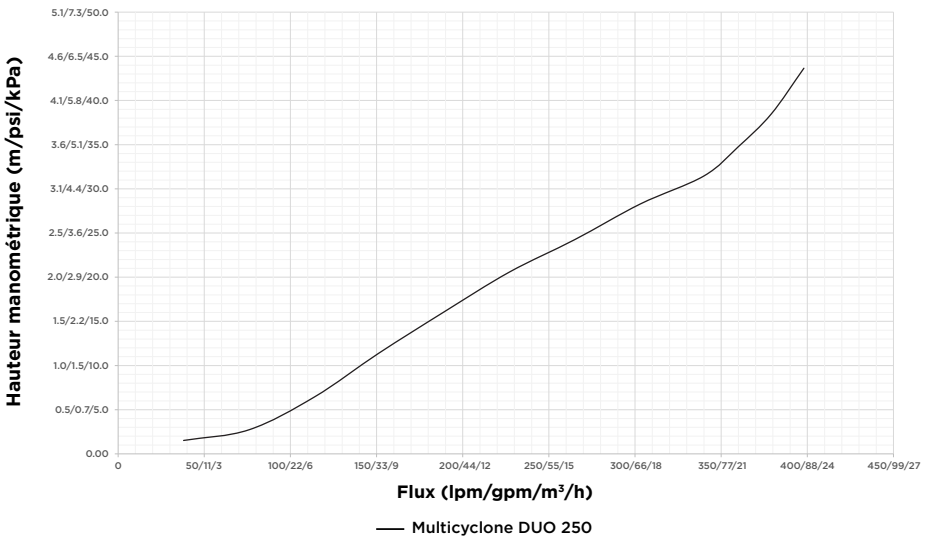
Description	Dimensions des raccords	Débit min.	Débit max.	Superficie filtrée	Pression opérationnelle max.	Temp. max.
MULTICYCLONE DUO 200	50 mm/63 mm (UE) - 2 po. (5,08 cm)	50lpm/ 3m ³ /h/ 11,0gpm	500lpm/ 30m ³ /h/ 110,0gpm	18,5m ² / 200pi. ²	350kPa/ 3,5bar	40°C
MULTICYCLONE DUO 250	50 mm/63 mm (UE) - 2 po. (5,08 cm)	50lpm/ 3m ³ /h/ 11,0gpm	500lpm/ 30m ³ /h/ 110,0gpm	23,2m ² / 250pi. ²	350kPa/ 3,5bar	40°C

COURBE DE LA PERTE DE HAUTEUR MANOMETRIQUE DU MULTICYCLONE DUO

Courbe de perte de charge totale MultiCyclone DUO 200



Courbe de perte de charge totale MultiCyclone DUO 250



INSTALLATION

Veillez à respecter le Code de plomberie applicable sur votre territoire.

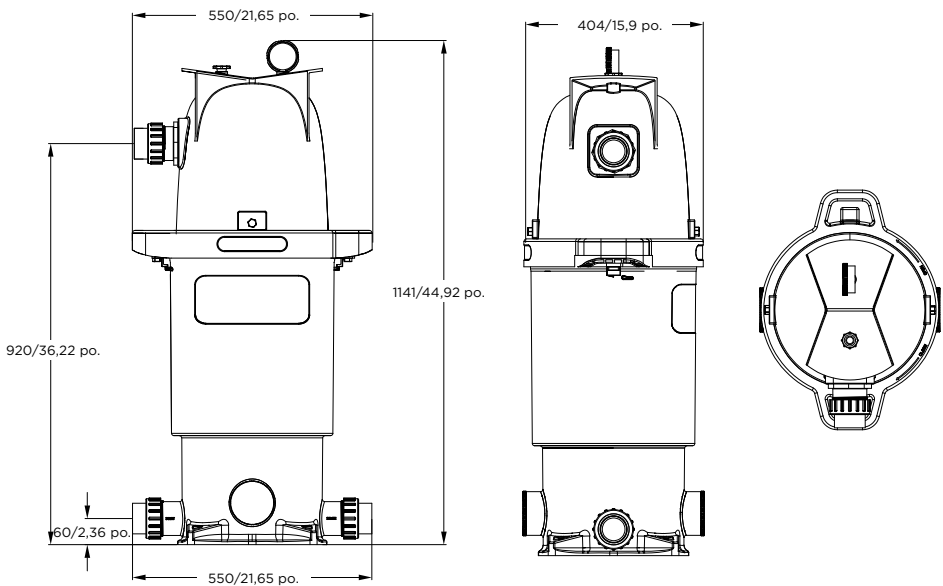
Veillez à respecter toutes les dispositions relatives à la gestion des eaux usées qui sont prévues par la réglementation locale, régionale ou nationale. N'évacuez pas l'eau à un endroit où elle pourrait causer une inondation ou des dégâts.

Si la pression de l'eau entrante est supérieure à la pression de service maximale de 350 kPa/3,5 bar/50 psi, vous devez installer un régulateur de pression (RP) en amont de l'entrée du filtre.

Le RP doit être réglé à 90% de la pression de service maximale du collecteur.

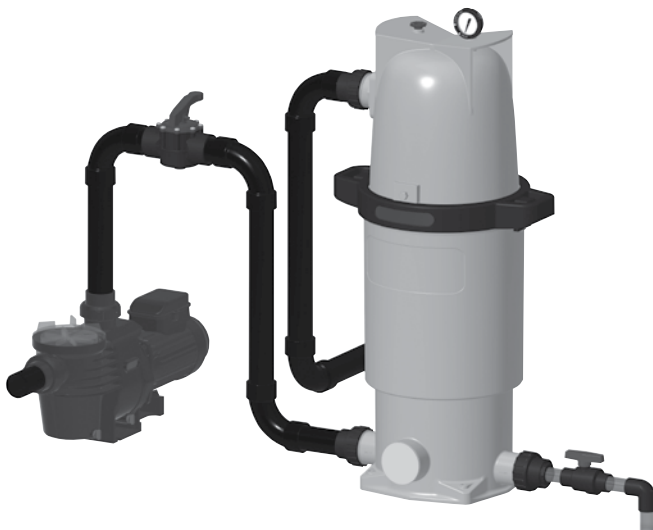
Si le débit d'eau entrante est inférieur au débit minimal requis par le filtre, cela affectera l'efficacité de la filtration. Dans ce cas, veuillez consulter Waterco.

Spécification de taille du filtre (mm/po.)



Installation standard

1. Placez le filtre le plus près possible de la piscine ou de la baignoire à remous.
2. Placez le filtre à un endroit où il ne risque pas d'être immergé et à l'écart des puisards, des gouttières, des cavités du jardin, etc.
3. Placez le filtre de telle sorte que les raccords de plomberie, le robinet de purge et le purgeur d'air se situent à des endroits pratiques et accessibles pour toute intervention, tout entretien et toute préparation pour l'hiver.
4. Veillez à ce que l'étiquette de conformité soit visible de l'avant afin d'être facilement identifiable.
5. Placez le filtre sur une dalle horizontale en béton, sur un sol très ferme ou sur une surface comparable. Vérifiez que le sol ne risque pas de s'affaisser afin d'éviter toute tension au niveau de la plomberie qui y est raccordée.
6. Vérifiez que le filtre ne bouge pas lorsque le robinet de purge est en fonctionnement.
7. Prévoyez un dégagement suffisant tout autour du filtre afin de pouvoir inspecter l'intégralité de l'installation visuellement.



Plomberie

1. Vérifiez que la pression de l'eau entrante est conforme à la pression de service recommandée pour le filtre et qu'un régulateur de pression est bien en place si vous utilisez de l'eau provenant du réseau d'adduction ou d'une pompe à haute pression.
2. Veillez à installer un clapet de pied ou un clapet antiretour si la pompe est installée 500 mm ou 20 pouces au-dessus du niveau de l'eau.
3. Si le filtre est implanté au-dessous du niveau de l'eau ou est raccordé au circuit principal d'adduction d'eau, il convient d'installer des valves d'isolement au niveau de l'entrée et de la sortie du filtre. Cela empêchera l'eau de circuler durant les opérations d'entretien d'usage.
4. Réduisez la longueur du tuyau et le nombre de raccords au minimum afin de réduire le débit d'eau le moins possible.
5. Vérifiez que tous les raccords de plomberie sont collés et solidement serrés afin d'éviter toute fuite.
6. Veillez à ne pas appliquer une trop grande quantité de solvants sur les raccords, car ils pourraient pénétrer dans les joints toriques et créer des problèmes de fuites.

7. Ne serrez pas les raccords ou adaptateurs excessivement.

Vissez les demi-raccords unions à boisseau et les abouts fournis à l'entrée et à la sortie avant de coller le tuyau en PVC rigide sur le filtre.

⚠ AVERTISSEMENT :

Remarque: n'utilisez pas d'adhésif liquide ou de ruban pour joints filetés sur les filetages de l'entrée et de la sortie du MultiCyclone ou sur les filetages de raccords unions à boisseau que vous devez raccorder.

Utilisez exclusivement la colle recommandée pour raccorder des tuyaux et raccords

Coupez et installez le tuyau et les raccords sur le MultiCyclone et la pompe. **Consultez** le guide d'installation de la pompe et suivez à la lettre les procédures prévues pour la plomberie de la pompe. to Pump Installation Manual for correct pump plumbing procedures.

Mieux vaut installer tous les tuyaux et raccords coupés sur le système de filtration **avant** de les coller. Ainsi, vous pourrez vérifier que le système **est correctement aligné**.

Collez le tuyau et les raccords sur la pompe, ainsi que le filtre et la conduite de retour vers la piscine. Puis, **laissez** la colle sécher **pendant 24 heures** avant de mettre le système en service.

Raccordement de plomberie

1. Raccordez le tuyau sortant de la pompe à l'entrée du MultiCyclone DUO.
2. Raccordez le tuyau sortant du MultiCyclone DUO à l'élément de tuyauterie suivant du système de filtration.
3. Collez toute la plomberie aux raccords unions à boisseau en suivant les consignes du fabricant de la colle (solvant) et laissez sécher pendant 24 heures. Veillez à ne pas appliquer une trop grande quantité de colle (solvant) sur les raccords, car ils pourraient pénétrer dans les joints toriques et créer des problèmes de fuites.

Remarque: Waterco recommande d'installer un robinet d'arrêt en aval du MultiCyclone DUO, sur la conduite de retour vers la piscine afin de favoriser l'évacuation des saletés collectées. Veuillez consulter le chapitre « Pression d'eau insuffisante » pour en savoir plus.

4. Allumez la pompe de la piscine. N'oubliez pas de vérifier qu'il n'y a pas de fuites au niveau des raccords. Au besoin, serrez-les à la main. If required, tighten by hand.

PROCEDURE DE DEMARRAGE

Le MultiCyclone DUO est un système de filtration avancé hautement efficace. Il fonctionnera pendant des années sans tomber en panne si vous respectez les procédures d'entretien décrites cidessous.

Procédez de la même façon pour démarrer un système de filtration neuf ou fraîchement nettoyé.

1. Veillez à ce que le MultiCyclone soit correctement raccordé à la plomberie.
2. Vérifiez que tous les robinets installés en amont et en aval du MultiCyclone DUO sont ouverts.
3. Desserrez le purgeur d'air situé en haut du filtre MultiCyclone.
4. Amorcez la pompe de votre piscine. *(Pour ce faire, consultez le guide d'installation et d'utilisation de la pompe.)*
5. Allumez la pompe de la piscine et laissez la pompe tourner jusqu'à ce que tout l'air ait été évacué du MultiCyclone DUO. De l'eau s'écoulera du purgeur d'air.
6. Resserrez le purgeur d'air.
7. Le filtre est amorcé et prêt à fonctionner.

Remarque: il arrive que vous deviez réaliser cette opération plusieurs fois avant que le filtre soit amorcé et réellement prêt à fonctionner.

⚠ AVERTISSEMENT :

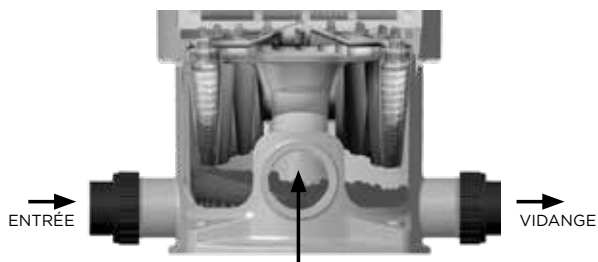
Ne vous tenez pas au-dessus du couvercle du MultiCyclone DUO lorsque vous réglez le purgeur d'air pour évacuer l'air du système.

Vous pourriez être blessé si le purgeur d'air se desserrait.

ENTRETIEN DU FILTRE DU MULTICYCLONE DUO

L'entretien du filtre MultiCyclone DUO dépend des conditions décrites ci-dessous:

1. Le collecteur de sédiments est à moitié rempli de sédiments. Il est facile de contrôler l'accumulation de sédiments à travers le regard transparent du MultiCyclone DUO. Le MultiCyclone DUO est facile à nettoyer : il suffit d'ouvrir le robinet de purge. Seuls 28 litres (6 gallons) d'eau se déversent alors pour évacuer les sédiments du MultiCyclone.



Regard transparent pour contrôler les sédiments

Si la pression indiquée sur le manomètre est de 50 kPa (7,2 psi) supérieure à la pression de service, il est probable que le débit diminue et soit insuffisant pour la piscine.

Exemple: le filtre fonctionne normalement à 60 kPa (8,2 psi), mais une pression de 110 kPa (16 psi) signifie qu'il doit être nettoyé.

Purge du collecteur de sédiments

Avec la pompe en fonctionnement:

Lorsque la pompe à eau fonctionne, il vous suffit d'ouvrir le robinet de purge jusqu'à ce que les sédiments soient évacués. Vous pourrez le constater visuellement à travers le collecteur de sédiments transparent. Fermez le robinet de purge dès que les sédiments ont été évacués.

Avec la pompe à l'arrêt:

Sinon, éteignez la pompe. Ouvrez le purgeur d'air, puis le robinet de purge. L'eau s'écoulera par le MultiCyclone DUO, évacuant la majeure partie des saletés du collecteur de sédiments. Ensuite, fermez le purgeur d'air et allumez la pompe. L'agitation de l'eau entrant dans le collecteur de sédiments évacuera le reste de sédiments. Dès que le collecteur de sédiments est propre, fermez le robinet de purge et démarrez la pompe. Puis, fermez le purgeur d'air dès que de l'eau s'écoule au travers.

PRESSION D'EAU INSUFFISANTE

Il arrive que le débit d'eau de la pompe soit insuffisant pour évacuer les sédiments du collecteur de sédiments. Waterco recommande alors d'installer un robinet à deux voies en aval du MultiCyclone DUO, sur la conduite de retour de l'eau de piscine.

Le robinet à deux voies permet d'augmenter le débit de l'eau provenant du MultiCyclone DUO, augmentant l'agitation de l'eau qui passe à travers le collecteur de sédiments et améliorant ainsi son action purgative.

Si la pompe est en fonctionnement, ouvrez le robinet de purge, puis fermez le robinet à deux voies partiellement en augmentant suffisamment le débit d'eau pour évacuer les sédiments présents dans le collecteur de sédiments. Dès que le collecteur de sédiments est propre, fermez le robinet de purge.

AVERTISSEMENT :

Ne fermez pas le robinet à deux voies avant d'avoir ouvert le robinet de purge et ne fermez pas le robinet de purge lorsque le robinet à deux voies est partiellement ou complètement fermé. Les deux robinets ne doivent jamais être complètement ou partiellement fermés en même temps.

ENTRETIEN DE LA CARTOUCHE FILTRANTE

Vous devez entretenir la cartouche filtrante du MultiCyclone DUO afin qu'elle dure aussi longtemps que possible.

Vérifiez la pression indiquée par le manomètre lorsque vous démarrez le filtre pour la première fois après une purge d'air. Cette pression est appelée la pression de service. Il est essentiel que vous la connaissiez.

Tous les systèmes de filtration fonctionnent à des pressions différentes selon le réseau hydraulique de la piscine.

Vous devez nettoyer la cartouche filtrante dès que la pression indiquée par le manomètre est de 50 kPa (7,2 psi) supérieure à la pression de service.

Exemple: Vle filtre fonctionne normalement à 60 kPa (8,2 psi), mais une pression de 110 kPa (16 psi) signifie qu'il doit être nettoyé.

Nettoyage de la cartouche

Avant de retirer le couvercle du MultiCyclone DUO, vous devez faire tomber la pression à l'intérieur du carter de la cartouche filtrante. Arrêtez la pompe. Puis, desserrez la valve d'évacuation de l'air situé au-dessus du couvercle du filtre du MultiCyclone DUO afin de faire tomber la pression dans le système.

1. Le filtre du MultiCyclone DUO est doté d'un mécanisme de verrouillage innovant conçu pour une commodité inégalée. Tournez simplement la bague de verrouillage dans le sens horaire pour verrouiller le filtre en position.

Remarque : Vérifiez que le piston de verrouillage de la bague de verrouillage traverse les ergots de maintien du réservoir de filtre et qu'il est correctement installé et serré pour éviter les fuites d'eau.

Lors du remplacement de cartouche, maintenez le piston de verrouillage tout en tournant la bague de verrouillage dans le sens antihoraire. L'ergot de levage innovant intégré dans le couvercle lève le couvercle sans effort avec l'anneau de verrouillage, pour un accès simple et rapide à la cartouche filtrante.

2. Enlevez la cartouche filtrante du carter.
3. Utilisez un tuyau d'arrosage pour nettoyer la surface plissée de la cartouche filtrante. Veillez à nettoyer entre chaque pli.
4. Puis, remettez la cartouche filtrante dans le carter en veillant à la placer correctement.
5. Avant de remettre le couvercle en place, vérifiez que le joint torique est exempt de toutes saletés et correctement placé dans la gorge prévue à cet effet dans le corps de filtre.

6. Placez le couvercle sur le boîtier de filtre et alignez le couvercle :
- Vérifiez que le couvercle est correctement aligné avec le réservoir de filtre.

7. Reposer la bague de retenue

Tournez la bague de verrouillage dans le sens horaire jusqu'au clic, qui indique que le piston de verrouillage est engagé avec les ergots de verrouillage sur le réservoir. Serrez les écrous de retenue à l'aide d'une clé plate/clé à molette de 25 mm (1 po.) en veillant à ce que le couvercle soit correctement installé.

Remarque importante :

Serrage suffisant : Il est crucial de serrer suffisamment la bague de verrouillage pour garantir une installation sûre, sans inclinaison. Un serrage insuffisant peut entraîner des fuites.

Inspection visuelle : Après le serrage, inspectez visuellement le couvercle pour vous assurer qu'il est correctement en place.

Remarque : Vérifiez que le piston de verrouillage de la bague de verrouillage traverse les ergots de maintien du réservoir de filtre et qu'il est correctement installé et serré pour éviter les fuites d'eau.

En cas de doute sur la procédure, ou si vous avez des difficultés, il est recommandé de consulter le guide utilisateur de votre modèle de filtre spécifique ou de faire appel à un technicien qualifié.

8. Suivez la procédure de démarrage pour redémarrer le système de filtration.

 AVERTISSEMENT :

Ne serrez pas les écrous du couvercle excessivement.

Nous vous recommandons d'enlever régulièrement la cartouche filtrante et de la mettre à tremper durant une nuit dans une solution nettoyante adaptée. Cette opération permet d'éliminer les saletés restées sur la cartouche filtrante après son nettoyage au tuyau d'arrosage.

Certains magasins spécialisés dans les piscines proposent de nettoyer les cartouches filtrantes au moyen de solutions adaptées. Sinon, utilisez la solution nettoyante pour cartouche de Waterco. Les consignes d'utilisation sont indiquées sur le produit.

La durée du nettoyage dépend de l'état de la piscine et de l'utilisation qui en est faite. Dans tous les cas, la cartouche doit être nettoyée au minimum tous les 6 mois.

GUIDE D'ENTRETIEN GENERAL

Veillez suivre les procédures décrites ci-dessous pour que le MultiCyclone DUO dure aussi longtemps que possible:

1. Nettoyez la cartouche filtrante régulièrement en respectant les consignes fournies au chapitre « Cartouche filtrante des filtres MultiCyclone ».
2. Maintenez un équilibre chimique adapté dans l'eau de votre piscine ou baignoire à remous. L'équilibre chimique de l'eau est le rapport qui existe entre le pH, l'alcalinité totale, la dureté du calcium et la température de l'eau. L'eau doit présenter les propriétés suivantes en toutes circonstances :

NIVEAU DE PH	: ENTRE 7,2 ET 7,8.
ALCALINITÉ TOTALE	: ENTRE 80 ET 150 ppm.
DURETÉ CALCIQUE	: ENTRE 150 ET 300 ppm.

En plus de respecter les seuils définis ci-dessus, l'indice de saturation de Langelier doit également être compris entre -0,2 et +0,2 en toutes circonstances.

Remarque: il existe des trousse de test conçues pour vous permettre de tester l'eau vous-même. Sinon, vous pouvez apporter un échantillon d'eau à un magasin professionnel spécialisé dans les piscines et les baignoires à remous.

3. Vous devez contrôler l'équilibre de l'eau provenant du réseau de distribution ou du réseau rural. La saturation (durée de vie) de l'eau provenant d'un réseau de distribution ou d'un forage (réseau rural) varie en fonction de la qualité de l'eau.
4. Nettoyez régulièrement la crépine de la pompe et les paniers flottants afin de préserver la pompe et le filtre et de permettre au système de fonctionner correctement.
5. Remplacez le manomètre s'il affiche des valeurs incorrectes.

PREPARATIFS POUR L'HIVER

Dans les climats froids (températures inférieures au point de gel), vous devez systématiquement suivre des procédures adaptées pour protéger votre filtre.

1. Éteignez la pompe/fermez le robinet d'admission.
2. Ouvrez le purgeur d'air et le robinet de purge afin que l'eau s'échappe du MultiCyclone DUO.
3. Retirez les éventuels bouchons de purge de la pompe.
4. Videz la tuyauterie de son eau.

GUIDE DE RECHERCHE DES PANNES

Symptômes	Problèmes/solutions possibles
L'équilibre chimique de l'eau de la piscine est mauvais.	Le niveau de désinfectant est insuffisant.
	L'équilibre chimique de l'eau de la piscine est mauvais.
	Il y a un grand nombre de baigneurs ou d'impuretés.
	Le débit est mauvais.
	Les périodes de filtration ne sont pas assez longues. (Augmentez la durée de fonctionnement de la pompe.)
	Le filtre est sale. (Nettoyez-le en suivant les consignes.)
	La cartouche filtrante est percée.
	Il y a une fuite d'air au niveau de la conduite d'aspiration.
	Les aubes de la roue centrifuge sont bloquées.
	D'autres éléments gênants (aspirateurs de piscine) peuvent également obliger d'autres équipements du système à résister, par exemple les crépines.
La pompe n'est pas amorcée.	
Le débit d'eau est faible	Vérifiez que les crépines ne sont pas sales.
	Vérifiez qu'il n'y a pas de fuites d'air côté aspiration.
	Vérifiez qu'il n'y a pas d'éléments gênants ou d'obstructions dans les conduites d'aspiration ou de retour.
	Nettoyez ou remplacez le filtre du système.
	Le niveau d'eau de la piscine est trop faible.
	La pompe n'est pas amorcée.
	Les aubes de la roue centrifuge sont bloquées.
	Les crépines ne sont pas utilisées ou nettoyées régulièrement.
La pompe est en sous-régime (basse tension).	
Les cycles de filtration sont courts	Il y a des algues. Vérifiez le niveau de désinfectant.
	Vérifiez le pH et l'alcalinité totale.
	L'eau sortant de la pompe circule à un débit supérieur à celui prévu pour le filtre.
	Le nettoyage n'a pas fonctionné. Vérifiez l'état du collecteur de sédiments.
La pression est élevée au démarrage	Il y a un petit raccord à oeillet dans la piscine/baignoire à remous.
	Fermeture partielle de la valve sur la conduite de retour.
	Le système est surdimensionné pour la pompe : vérifiez ce que vous avez choisi.
La saleté revient dans la piscine	Trou dans la cartouche filtrante, remplacez la cartouche filtrante.
	-Joint torique usé à l'intérieur du filtre, remplacez le joint torique.

GARANTIE

Le MultiCyclone DUO est garanti 10 ans pour le réservoir, 3 ans pour les composants et 1 an pour la fabrication. Les installations destinées à un usage commercial sont couvertes par une garantie de 1 an.

Pour en savoir plus, veuillez consulter les conditions générales de la garantie Waterco.

Remarque: le contrat de garantie Waterco est consultable sur le site Web de Waterco www.waterco.com ou en scannant le code QR ci-contre.



Inhaltsverzeichnis

ALLGEMEINE SICHERHEITSVORSCHRIFTEN	29
MULTICYCLONE DUO	30
MULTICYCLONE GESAMT-DRUCKABFALLKURVE	32
INSTALLATION	33
INBETRIEBNAHME	36
WARTUNG DES MULTICYCLONE-FILTERS	36
UNZUREICHENDER WASSERDRUCK	37
WARTUNG DER FILTERKARTUSCHE	38
ALLGEMEINE WARTUNGSANLEITUNG	40
VORBEREITUNG FÜR WINTER	40
FEHLERBEHEBUNG	41
GARANTIE	41



Hinweis: Direkter Zugang zur Waterco-Website für zusätzliche Informationen zu den MultiCyclone DUO Filtern.

ALLGEMEINE SICHERHEITSVORSCHRIFTEN

1. Die in diesem Handbuch erwähnten Maschinen und Geräte sind speziell für die Vorfiltration und Zirkulation von Wasser in Schwimmbecken konzipiert.
2. Sie sind für den Betrieb mit sauberem Wasser bei einer Temperatur von nicht mehr als **40 Grad Celsius ausgelegt**.
3. Die Installation sollte in Übereinstimmung mit den Sicherheitsanweisungen für Schwimmbäder, **insbesondere der Norm HD 60364-7-702**, und den spezifischen Anweisungen für die jeweilige Einrichtung durchgeführt werden.
4. Die Vorschriften zur Unfallverhütung müssen sorgfältig befolgt werden.
5. Jeglicher Umbau der Pumpe bedarf der **vorherigen Zustimmung des Herstellers**. Originalersatzteile und vom Hersteller zugelassenes Zubehör gewährleisten ein hohes Maß an Sicherheit. Der Hersteller der Pumpe übernimmt keine Haftung für Schäden und Verletzungen, die durch **nicht autorisierte Ersatz- und Zubehorteile verursacht werden**.
6. Während des Betriebs sind einige Teile der Pumpe und andere Geräte gefährlicher elektrischer Spannung ausgesetzt. Arbeiten an der Pumpe oder an den daran angeschlossenen Geräten dürfen nur nach dem **Trennen vom Netz und nach dem Trennen der Startvorrichtung durchgeführt werden**.
7. Der Anwender hat dafür zu sorgen, dass Montage- und Wartungsarbeiten von **qualifiziertem Fachpersonal** durchgeführt werden und dass diese Personen zuvor die Wartungs- und Installationsanweisungen sorgfältig gelesen haben.
8. Die Betriebssicherheit der Pumpe und anderer Geräte ist nur dann gewährleistet, wenn die Installations- und Wartungsanweisungen korrekt befolgt werden.
9. Die in den technischen Daten angegebenen Grenzwerte **dürfen unter keinen Umständen überschritten werden**.
10. Wenden Sie sich im Falle eines fehlerhaften Betriebs oder einer Störung an die technische Kundendienstabteilung des Herstellers oder an den nächstgelegenen Fachhändler.
11. Wenn das Netzkabel beschädigt ist, muss es durch eine autorisierte Servicestelle ersetzt werden.
12. Das Gerät ist nicht für den Gebrauch durch Personen (einschließlich Kinder) mit eingeschränkter körperlicher, sensorischer oder geistiger Leistungsfähigkeit oder mangelnder Erfahrung und Kenntnis bestimmt, es sei denn, sie werden von einer Person, die für ihre Sicherheit verantwortlich ist, beaufsichtigt oder in die Benutzung des Geräts eingewiesen und sie verstehen die damit zusammenhängenden Gefahren.
13. Das Gerät ist nicht für den Gebrauch durch Kinder bestimmt. Kinder sollten beaufsichtigt werden, um sicherzustellen, dass sie nicht mit dem Gerät spielen.
14. Alle Verdrahtungsarbeiten (elektrische Arbeiten) müssen von einer zugelassenen Elektrofachkraft in Übereinstimmung mit den örtlichen Vorschriften ausgeführt werden.
15. Wenn die Pumpe oder ein anderes Gerät für ein Schwimmbecken oder einen Teich installiert werden soll, ist es zwingend erforderlich, dass ein Fehlerstromschutzschalter mit einem Bemessungsauslösestrom von nicht mehr als 30 mA installiert wird.
16. Trennen Sie das Gerät vor der Montage, Demontage oder der Reinigung immer von den Energiequellen.
17. Bei Frost muss das Wasser durch Öffnen der Ablassstopfen am Pumpengehäuse vollständig aus der Pumpe abgelassen werden.

Zum Einsatz in Europa:

1. Dieses Gerät ist nicht für den Gebrauch durch Personen (einschließlich Kinder von 8 Jahren und älter) mit eingeschränkter körperlicher, sensorischer oder geistiger Leistungsfähigkeit oder mangelnder Erfahrung und Kenntnis bestimmt, es sei denn, sie werden von einer Person, die für ihre Sicherheit verantwortlich ist, beaufsichtigt oder in die Benutzung des Geräts eingewiesen.
2. Kinder sollten beaufsichtigt werden, um sicherzustellen, dass sie nicht mit dem Gerät spielen.
3. Kinder sollten beim Gebrauch und der Wartung nicht ohne Aufsicht bleiben.

MULTICYCLONE DUO

Kristallklares Wasser im Pool mit geringstem Aufwand.

Unser innovatives Filter ist eine Kombination aus zentrifugaler Filterung im MultiCyclone und einer Patronenfilterung in einem kompakten Gerät, das überlegene Leistung bietet und äußerst praktisch ist.

- Zweistufige Filterung.
- Minimale Wartung.
- Spart Wasser und Energie.
- 16 Hydrozyklone.
- DUO 200 18,5 m²/200 ft² und 23,2 m²/250 ft² Patronenfilter mit gefaltetem Einsatz.



Zweistufige Filterung

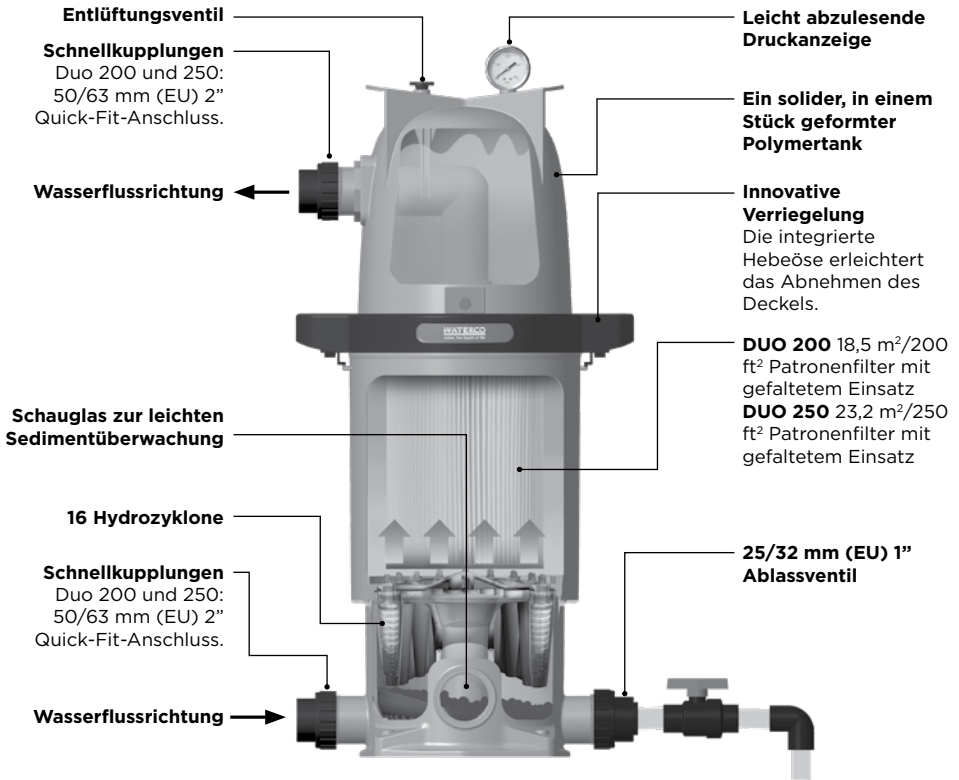
1. Tangentialer Eingang: Das einströmende Wasser gelangt tangential in 16 Hydrozyklone, die eine starke Zentrifugalkraft erzeugen.
2. Sedimentabscheidung: Schwerere Partikel werden nach außen geschwemmt und sinken in einer Spirale in die transparente Sedimentkammer zur leichten Überwachung.
3. Ausgang für gereinigtes Wasser: Das saubere, gereinigte Wasser fließt über die Mitte des Hydrozyklons ab.

Einfache Wartung

Die Sedimentkammer des MultiCyclone DUO lässt sich durch Öffnen des Ablassventils leicht reinigen. Dabei werden nur 28 Liter (6 Gallonen) Wasser abgelassen.

Erweiterte Filterkapazität

Der zentrifugale Filterabschnitt des MultiCyclone DUO filtert bereits bis zu 80% der ankommenden Schmutzbelastung aus, bevor das Wasser das Patronenfilter erreicht. Das erhöht die Kapazität der Filterpatrone bis zum Fünffachen. Die Filterkapazität des MultiCyclone DUO entspricht der eines 92,5 m²/1000 ft² Patronenfilters und eines MultiCyclone DUO 116,2 m²/1250 ft² Patronenfilters.



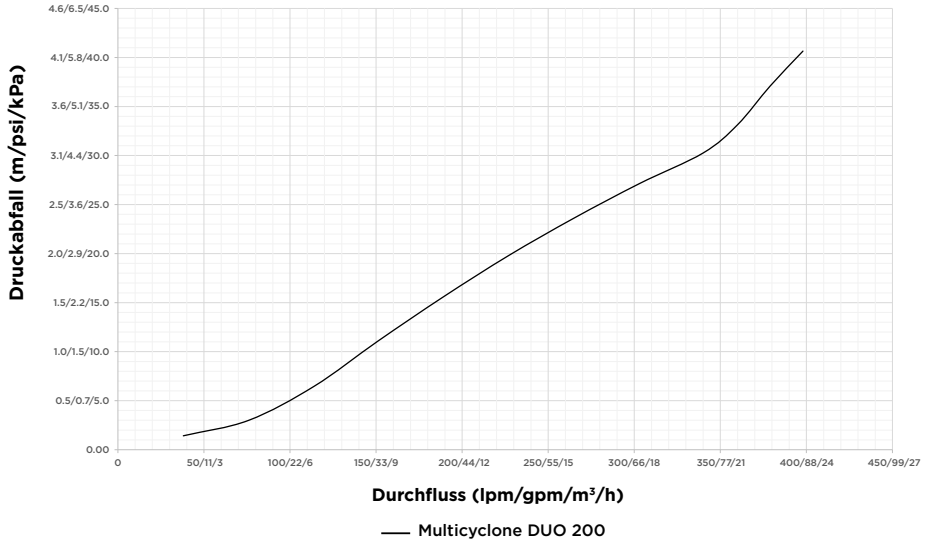
Hinweis: Der Zentrifugalbereich des MultiCyclone DUO ist dafür vorgesehen, Sediment auszufiltern, das schwerer als Wasser ist; schwebende Verunreinigungen können mithilfe des Zentrifugalprinzips nicht ausgefiltert werden.

Hinweis: Die Abbildung oben gilt für das MultiCyclone DUO 200 mit 18,5 m²/200 ft² Filterpatrone und das MultiCyclone DUO 250 mit 23,2 m²/250 ft² Filterpatrone.

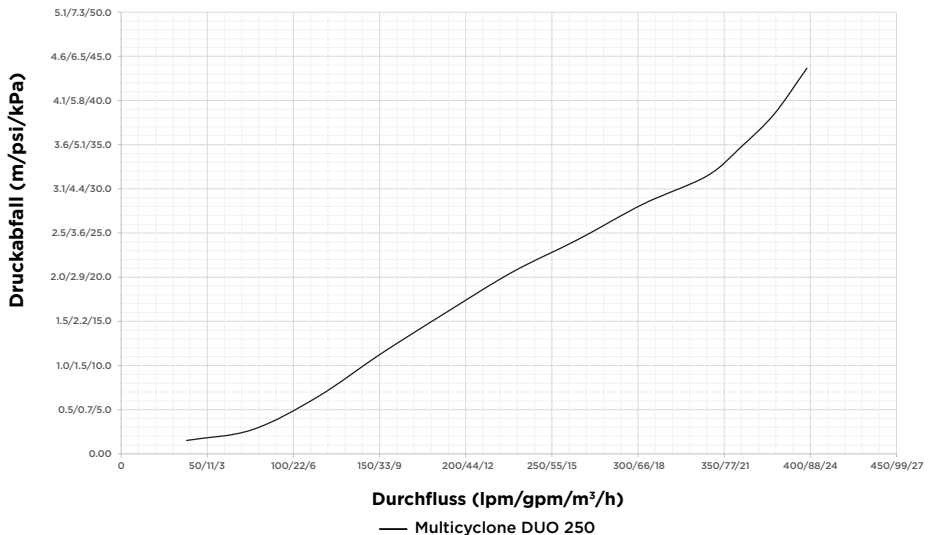
Beschreibung	Anschlüsse	Min. Durchfluss	Max. Durchfluss	Filterfläche	Max. Betriebsdruck	Max. Temp.
MULTICYCLONE DUO 200	50mm/63mm (EU)/2"	50l pro min./ 3 m ³ /h/ 11,0gpm	500l pro min./ 30m ³ /h/ 1110,0gpm	18,5m ² / 200ft ²	350kPa/ 3,5bar	40°C
MULTICYCLONE DUO 250	50mm/63mm (EU)/2"	50l pro min./ 3 m ³ /h/ 11,0gpm	500l pro min./ 30m ³ /h/ 1110,0gpm	23,2m ² / 250ft ²	350kPa/ 3,5bar	40°C

MULTICYCLONE DUO GESAMT-DRUCKABFALLKURVE

MultiCyclone DUO 200 - Gesamtdruckverlustkurve



MultiCyclone DUO 250 - Gesamtdruckverlustkurve



INSTALLATION

Achten Sie darauf, die örtlichen Vorschriften für Wasserinstallationen einzuhalten.

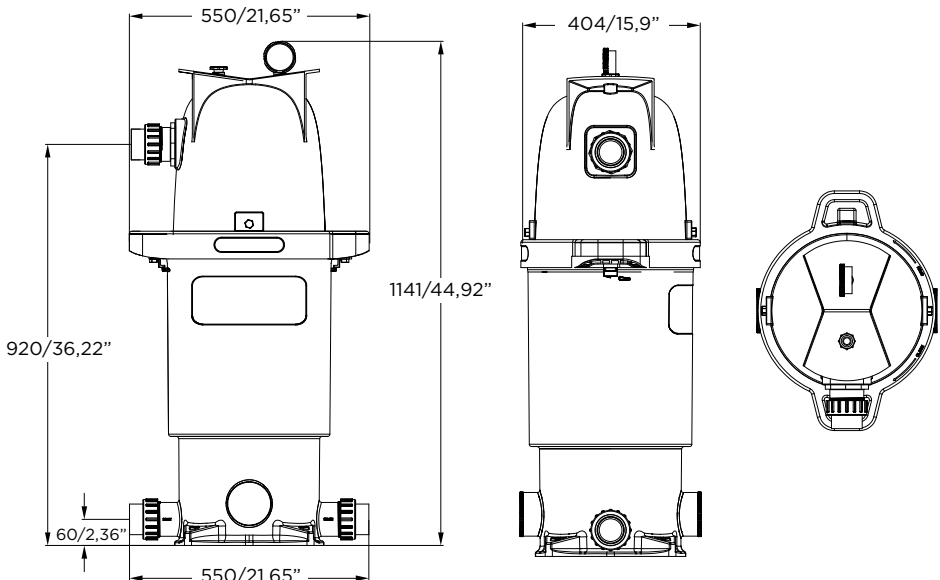
Achten Sie darauf, dass alle Einrichtungen zur Abwasserbeseitigung den örtlichen, regionalen oder nationalen Vorschriften entsprechen. Leiten Sie kein Abwasser dorthin, wo es Überschwemmungen oder Schäden verursachen könnte.

Wenn der ankommende Wasserdruck höher als der maximale Betriebsdruck von 350 kPa/3,5 bar/50 psi ist, muss vor dem Einlass des Filters ein Druckregelventil eingefügt werden.

Das Druckregelventil sollte auf einen Wert von 90% des maximalen Betriebsdrucks des Behälters eingestellt werden.

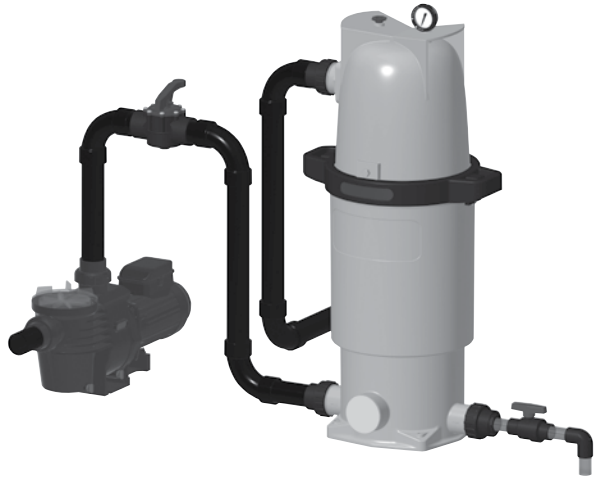
Falls der ankommende Wasserdurchsatz niedriger ist als der erforderliche Mindestdurchsatz des Filters, wird die Filterwirkung beeinträchtigt. Wenden Sie sich in diesem Fall bitte an Waterco.

Filtergröße (mm/Zoll)



Typische Installation

1. Das Filter möglichst nah am Schwimmbecken/Pool positionieren.
2. Filter vor Überschwemmungen sicher, d. h. fern von Gruben, Dachrinnen, Bodensenken usw. aufstellen.
3. Das Filter so aufstellen, dass Rohranschlüsse, Ablassventil und Entlüftungsventil für Betrieb, Wartung und Wintervorbereitung einfach und bequem zugänglich sind.
4. Das Typenschild muss für eine einfache Identifizierung nach vorne weisen.
5. Das Filter sollte auf einer ebenen Betonplatte oder sehr festem Untergrund oder Ähnlichem aufgestellt werden. Der Untergrund darf nicht nachgeben, um eine Belastung der angeschlossenen Rohrleitungen zu vermeiden.
6. Eine Bewegung des Filters bei offenem Ablassventil muss vermieden werden.
7. Für die Sichtprüfung der gesamten Anlage sollte ein ausreichender Freiraum um den Filter vorhanden sein.



Rohrleitungen

1. Der ankommende Wasserdruck muss innerhalb des empfohlenen Arbeitsdruckbereichs des Filters liegen. Bei Verwendung von Leitungswasser oder einer Hochdruckpumpe Druckbegrenzventil installieren.
2. Bei einer Montage der Pumpe 500 mm oberhalb des Wasserpegels muss ein Boden-/Rückschlagventil installiert werden.
3. Wird der Filter unterhalb des Wasserpegels installiert oder an Leitungswasser angeschlossen, müssen Trennventile am Einlass und Auslass des Filters montiert werden. Dadurch wird ein Wasserdurchfluss bei Routinewartungsarbeiten verhindert.
4. Rohrlängen und Anzahl der Fittings möglichst klein halten, um eine Beeinträchtigung des Wasserdurchflusses zu minimieren.
5. Die Anschlüsse aller Rohrleitungen müssen geklebt und abgedichtet werden, um Leckstellen zu vermeiden.
6. Klebstoffe auf Lösungsmittelbasis bei Fittings sparsam verwenden, um keine Probleme bei O-Ringen und Dichtungen zu verursachen.
7. Fittings oder Adapter nicht zu fest anziehen.

Die mitgelieferten Halbkuppelstücke und Anschlussleitungen in die Einlass- und Auslassanschlüsse schrauben, bevor die UPVC-Rohrleitungen mit dem Filter verklebt werden.

⚠ ACHTUNG!

Hinweis: Kein flüssiges Dichtungsmittel oder Dichtungsband am Gewinde des Ein- oder Auslasses des MultiCyclone oder den Gewinden der Halbkuppelstücke verwenden.

Für Anschlussrohre und Fittings nur den empfohlenen Kleber verwenden Rohre zuschneiden und Fittings an MultiCyclone und Pumpe befestigen. Zum korrekten.

Anschluss der Pumpenleitungen das Installationshandbuch der Pumpe **beachten**.

Es **empfiehlt sich**, alle zugeschnittenen Rohrleitungen und Fittings am Filtersystem zu befestigen, **bevor** sie verklebt werden. So wird gewährleistet, dass das System korrekt **ausgerichtet** ist.

Rohrleitungen und Fittings mit Pumpe, Filter und Rücklaufleitungen zum Becken verkleben und Kleber **24 Stunden lang aushärten lassen**, bevor die Anlage in Betrieb genommen wird.

Leistungsanschluss

1. Ausgang der Pumpe mit dem Eingang des MultiCyclone verbinden.
2. Leitung vom Ausgang des MultiCyclone mit der nächsten Komponente der Filteranlage verbinden.
3. Alle Rohrleitungen mit den Halbkuppelstücken entsprechend den Anweisungen des Herstellers des Klebers (Lösungsmittels) verkleben und 24 Stunden aushärten lassen. Nicht zu viel Kleber (Lösungsmittel) auf die Fittings aufbringen, da er in die O-Ringe laufen und Dichtungsprobleme verursachen könnte.

Hinweis: Waterco empfiehlt, hinter dem MultiCyclone in der Rücklaufleitung zum Schwimmbecken ein Absperrventil zu installieren, um das Ausspülen der gesammelten Verunreinigungen zu unterstützen. Beachten Sie bitte den Punkt "Unzureichender Wasserdruck".

4. Schwimmbadpumpe einschalten. Kontrollieren, dass alle Verbindungen dicht sind. Bei Bedarf von Hand nachziehen.

INBETRIEBNAHME

Der MultiCyclone ist ein fortschrittliches und hocheffizientes Filtersystem, das für jahrelangen störungsfreien Betrieb ausgelegt ist, wenn die folgenden Wartungsmaßnahmen beachtet werden.

Der Start des Filtersystems im Neuzustand oder nach der Reinigung erfolgt in derselben Weise.

1. Kontrollieren, dass der MultiCyclone korrekt angeschlossen ist.
2. Kontrollieren, dass alle vor und hinter dem MultiCyclone installierten Ventile geöffnet sind.
3. Entlüftungsventil oben am MultiCyclone-Filter lösen.
4. Pumpe des Schwimmbeckens vorfüllen. (*Installations- und Betriebshandbuch der Pumpe beachten*).
5. Die Schwimmbeckenspumpe einschalten und laufen lassen, bis die gesamte Luft auf dem MultiCyclone entwichen ist. Am Entlüftungsventil tritt Wasser aus.
6. Entlüftungsventil wieder anziehen.
7. Der Filter ist nun gefüllt und betriebsbereit.

Hinweis: In einigen Fällen muss dies mehrmals erfolgen, bevor die Einheit gefüllt bleibt und betriebsbereit ist.

⚠ ACHTUNG!

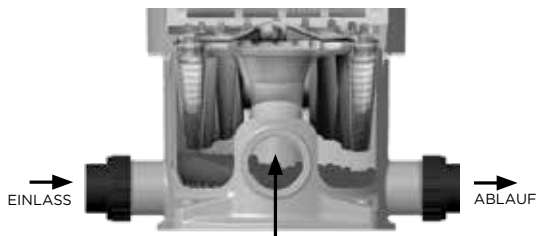
Beim Verstellen des Entlüftungsventils zum Entfernen der Luft aus dem System nicht über den Deckel des MultiCyclone DUO beugen.

Wenn sich das Entlüftungsventil löst, besteht Verletzungsgefahr.

WARTUNG DES MULTICYCLONE DUO FILTERS

Eine Wartung des MultiCyclone DUO Filters ist unter den folgenden Bedingungen erforderlich:

1. Die Sedimentkammer ist zur Hälfte mit Sediment gefüllt. Die Ablagerung der Sedimente kann visuell über das Schauglas des MultiCyclone DUO überwacht werden. Das MultiCyclone DUO lässt sich durch Öffnen des Ablassventils leicht reinigen. Zum Ausspülen des Sediments aus dem MultiCyclone werden nur 28 Liter (6 Gallonen) Wasser abgelassen.



Schauglas zur Sedimentüberwachung

2. Eine Manometeranzeige von 50 kPa über dem Betriebsdruck kann zu einer reduzierten Durchflussrate führen, die für die Anforderungen des Schwimmbeckens nicht ausreicht.

Beispiel: Filter arbeitet normalerweise bei 60 kPa und muss bei 110 kPa gereinigt werden.

Sedimentkammer ausspülen

Bei laufender Pumpe:

Bei laufender Wasserpumpe einfach das Ablassventil der Sedimentkammer öffnen, bis das gesamte Sediment herausgespült worden ist. Dieser Vorgang lässt sich durch die transparente Sedimentkammer beobachten. Ablassventil schließen, wenn das gesamte Sediment herausgespült ist.

Bei stillstehender Pumpe:

Wahlweise Pumpe ausschalten. Entlüftungsventil und danach das Ablassventil öffnen. Der Wasserstand im MultiCyclone DUO sinkt und der größte Teil der Verunreinigungen wird aus der Sedimentkammer gespült. Anschließend Entlüftungsventil schließen, Pumpe einschalten und die Turbulenz des in die Sedimentkammer strömenden Wasser spült das übrige Sediment heraus. Sobald die Sedimentkammer gereinigt ist, Ablassventil schließen, Pumpe einschalten und Entlüftungsventil schließen, sobald am Entlüftungsventil Wasser austritt

UNZUREICHENDER WASSERDRUCK

Falls der Wasserdurchfluss aus der Pumpe nicht ausreicht, um das Sediment aus der Sedimentkammer zu spülen. Waterco empfiehlt, hinter dem MultiCyclone an der Rücklaufleitung des Schwimmbeckenwassers ein Zwei-Wege-Ventil zu installieren.

Dieses Zwei-Wege-Ventil dient dazu, den Wasserdurchfluss aus dem MultiCyclone zu drosseln und so die Turbulenz des Wassers in der Sedimentkammer zu erhöhen, um die Reinigung zu unterstützen.

Bei laufender Pumpe das Ablassventil öffnen und dann das Zwei-Wege-Ventil teilweise schließen, um den Wasserdurchfluss ausreichend zu drosseln, damit das Sediment aus der Sedimentkammer herausgespült wird. Wenn die Sedimentkammer sauber ist, das Zwei-Wege-Ventil öffnen und danach das Ablassventil schließen.

ACHTUNG!

Zwei-Wege-Ventil nicht vor dem Öffnen des Ablassventils öffnen und Ablassventil nicht schließen, während das Zwei-Wege-Ventil ganz oder teilweise geschlossen ist. Beide Ventil sollten niemals gleichzeitig ganz oder teilweise geschlossen sein.

WARTUNG DER FILTERKARTUSCHE

Für eine maximale Lebensdauer müssen Sie das Patronenfilter ihres MultiCyclone DUO regelmäßig warten.

Notieren Sie den Wert am Manometer, wenn das Filter erstmals in Betrieb genommen und entlüftet wurde. Dieser Wert ist als der Betriebsdruck des Filters bekannt und Sie sollten ihn sich merken.

Alle Filtersysteme arbeiten, je nach den Verhältnissen am Schwimmbecken, mit unterschiedlichen Differenzdrücken.

Sie müssen das Patronenfilter reinigen, wenn das Manometer einen Wert anzeigt, der 50 kPa über dem Betriebsdruck liegt.

Beispiel: Filter arbeitet normalerweise bei 60 kPa und muss bei 110 kPa gereinigt werden.

Reinigen des Filterelements

Bevor der Deckel des Patronenfilters beim MultiCyclone DUO abgenommen wird, müssen Sie den Druck aus dem Gehäuse des Patronenfilters ablassen. Lösen Sie bei abgeschalteter Pumpe die Entlüftungsschraube oben am Filterdeckel des MultiCyclone DUO, um den Druck aus dem Filtergehäuse abzulassen.

1. Das MultiCyclone DUO Filter hat einen innovativen Verriegelungsmechanismus für eine unübertroffenen einfache Bedienung. Durch eine einfache Drehung des Verriegelungsring im Uhrzeigersinn wird das Filter sicher verriegelt.

Hinweis: Achten Sie darauf, dass der Verriegelungsbolzen in die Halteösen des Filterbehälters eingreift, korrekt eingesetzt und angezogen wird, um das Austreten von Wasser zu vermeiden.

Wenn ein Patronenwechsel fällig ist, drücken und halten Sie einfach den Verriegelungsbolzen und drehen gleichzeitig den Verriegelungsring gegen den Uhrzeigersinn. Die innovative Hebeöse im Deckel hebt den Deckel mühelos mit dem Verriegelungsring an und gewährt einen schnellen und leichten Zugang zur Filterpatrone.

2. Entfernen Sie die Filterpatrone aus dem Filtergehäuse.
3. spritzen Sie die Oberfläche des gefalteten Elements mit einem Gartenschlauch ab. Achten Sie darauf, zwischen den Falten des Filterelements zu reinigen.
4. Setzen Sie die Filterpatrone wieder in das Filtergehäuse ein und achten Sie darauf, dass sie korrekt sitzt.
5. Kontrollieren Sie, dass am O-Ring des Deckels kein Schmutz haftet und dass er richtig in der Nut des Filtergehäuses für den O-Ring sitzt, bevor Sie den Deckel wieder anbringen.

6. Setzen Sie den Deckel auf das Filtergehäuse auf und achten Sie auf die korrekte Ausrichtung:
 - Der Deckel muss korrekt zum Filterbehälter ausgerichtet sein.
7. Setzen Sie das Klemmband für Filtergehäuse wieder ein
 Drehen Sie den Verriegelungsring im Uhrzeigersinn, bis er deutlich hörbar einrastet. Dies ist der Hinweis darauf, dass der Verriegelungsbolzen in die Verriegelungsösen am Behälter eingreift.
 Ziehen Sie die Haltemuttern mit einem 25-mm-Maulschlüssel/Rollgabelschlüssel an. Kontrollieren Sie, dass der Deckel korrekt sitzt.

Wichtiger Hinweis:

Ausreichend anziehen: Der Verriegelungsring muss unbedingt fest genug angezogen werden, damit er sicher sitzt und nicht verkantet ist. Wenn er nicht ausreichend angezogen wird, kann Wasser austreten.

Sichtprüfung: Unterziehen Sie den Deckel nach dem Anziehen einer Sichtprüfung, ob er korrekt sitzt.

Hinweis: Achten Sie darauf, dass der Verriegelungsbolzen in die Halteösen des Filterbehälters eingreift, korrekt eingesetzt und angezogen wird, um das Austreten von Wasser zu vermeiden.

Wenn Ihnen die Vorgehensweise nicht klar ist oder Schwierigkeiten auftreten, empfehlen wir, in der Bedienungsanleitung des jeweiligen Filtermodells nachzusehen oder einen qualifizierten Techniker hinzuzuziehen⁸. Führen Sie den Ablauf zum Start aus, um den Betrieb wieder aufzunehmen.

8. Führen Sie den Ablauf zum Start aus, um den Betrieb wieder aufzunehmen.

 ACHTUNG!

Ziehen Sie die Haltemuttern des Deckels nicht zu fest an.

Es wird empfohlen, die Filterpatrone regelmäßig zu entnehmen und über Nacht in einer geeigneten Reinigungslösung einzuweichen. Dabei wird der Schmutz entfernt, der durch einfaches Abspritzen des Filterelements nicht beseitigt werden kann.

Einige Läden für Schwimmbadzubehör bieten einen Reinigungsdienst für Filterpatronen an und verwenden hierbei die korrekten Lösungen. Andernfalls können Sie auch die Waterco-Reinigungslösung für Patronenfilter verwenden. Die Anwendung wird auf dem Produkt beschrieben.

Die Reinigungszeit hängt vom Zustand und der Nutzung des Schwimmbeckens ab. Auf keinen Fall sollte das Intervall zwischen den Reinigungen der Filterpatrone länger als 6 Monate sein.

ALLGEMEINE WARTUNGSANLEITUNG

Zur Erzielung der maximalen Nutzungsdauer des MultiCyclone DUO bitte die folgenden Punkte beachten:

1. Filter regelmäßig nach der Anleitung im Abschnitt „Reinigen des MultiCyclone Filterelements“ reinigen
2. Korrektes chemisches Gleichgewicht bei Becken-/Poolwasser beibehalten. Das chemische Gleichgewicht beruht auf der Wechselbeziehung zwischen pH-Wert, Gesamthärte, Kalziumhärte und Wassertemperatur. Beim Wasser müssen stets die folgenden Werte beibehalten werden:

PH-WERT	: ZWISCHEN 7,2 UND 7,8.
GESAMTALKALITÄT	: ZWISCHEN 80 UND 150 ppm.
KALZIUMHÄRTE	: ZWISCHEN 150 UND 300 ppm.

uch ist der Langelier-Sättigungsindex unter Einhaltung dieser Toleranzen auf einen Bereich zwischen -0,2 bis +0,2 einzustellen.

Hinweis: Mithilfe von Testkits Wasserqualität selbstständig überprüfen. Alternativ dazu Wasserprobe bei einem Fachhändler für Schwimmbadbedarf vorbeibringen.

3. Bei Leitungs- bzw. Grundwasser ist eine Kontrolle erforderlich. Die Sättigung (Lebensdauer des Filters) in Leitungs- bzw. Grundwasser hängt von der Wasserqualität ab.
4. Zur Vermeidung von Schäden an Pumpe und Filter und für einen ordnungsgemäßen Betrieb der Anlage Pumpensieb und Filterkörbe regelmäßig reinigen.
5. Druckmesser austauschen, wenn falsche Ablesungen festgestellt werden.

VORBEREITUNG FÜR WINTER

Um ihren Filter in kalten Klimazonen (Temperaturen unter dem Gefrierpunkt) zu schützen, sind die korrekten Vorgehensweisen zu beachten.

1. Pumpe abschalten und Einlassventil schließen.
2. Entlüftungsventil und danach das Ablassventil öffnen, damit das Wasser aus dem MultiCyclone DUO abfließen kann.
3. Eventuelle Ablaufstopfen aus der Pumpe entfernen.
4. Wasser aus den Rohrleitungen ablassen.

FEHLERBEHEBUNG

Symptome	Mögliche Probleme/Lösungen
Wasser ist nicht klar	Unzureichende Dosierung des Desinfektionsmittels.
	Falsche Wasserchemie.
	Starker Badebetrieb oder hohe Schmutzbelastung.
	Falscher Durchfluss.
	Unzureichende Laufzeiten. (Laufzeit der Pumpe erhöhen.)
	Filter ist verschmutzt. (Nach Anleitung reinigen.)
	Loch im Filterelement.
	Eindringende Luft in der Ansaugleitung
	Laufschaufeln der Pumpe blockiert
	Andere Ursachen für den verschlechterten Durchfluss können Bodenabsauger bzw. -Siebkörbe sein.
Pumpe ist nicht mit Flüssigkeit gefüllt.	
Geringer Wasserdurchsatz	Siebkörbe auf Verschmutzung kontrollieren.
	Auf eindringende Luft in der Ansaugleitung kontrollieren.
	Ansaug- und Rücklaufleitungen auf Verengungen oder Blockierungen kontrollieren.
	Systemfilter muss gereinigt oder ausgetauscht werden.
	Wasserstand im Becken zu niedrig.
	Pumpe ist nicht mit Flüssigkeit gefüllt.
	Laufschaufeln der Pumpe blockiert.
	Keine Siebkörbe vorhanden bzw. nicht regelmäßig gereinigt.
Pumpe läuft mit zu niedriger Drehzahl (Unterspannung).	
Kurze Filterzyklen	Algenwachstum, Dosierung des Desinfektionsmittels kontrollieren.
	pH-Wert und Gesamthärte kontrollieren.
	Durchsatz am Pumpenausgang höher als Nenndurchsatz des Filters. Leistung der -Pumpe kontrollieren.
	Unzureichende Reinigung, Zustand der Sedimentkammer kontrollieren.
Hoher Druck bei Inbetriebnahme	Zu kleine Einströmdüsen in Schwimmbecken/Pool.
	Teilweise geschlossenes Ventil in Rücklaufleitung.
	Zu große Pumpe, Dimensionierung überprüfen.
Schmutz kehrt in den Pool zurück	Loch in der Filterpatrone, Filterpatrone austauschen.
	“O”-Ring-Dichtung im Filter verschlissen, O-Ring ersetzen.

GARANTIE

Wir gewähren für den MultiCyclone DUO eine Garantie von 10 Jahren für den Duo-Behälter, 3 Jahren für die Komponenten des Multizyklons und einem Jahr für die Verarbeitung. Für gewerbliche Anlagen gilt eine Garantie von 1 Jahr.

Beachten Sie bitte die Waterco Garantiebedingungen.

Hinweis: Eine elektronische Ausgabe des Gewährleistungshefts von Waterco erhalten Sie auf der Waterco-Website www.waterco.com oder durch Scannen des QR-Codes.



Índice

NORMAS GENERALES DE SEGURIDAD	43
MULTICYCLONE DUO	44
CURVA DE PERDIDA DE CARGA TOTAL DEL MULTICYCLONE	46
INSTALACION	47
PROCEDIMIENTOS DE PUESTA EN MARCHA	50
MANTENIMIENTO DEL FILTRO MULTICYCLONE DUO	50
PRESION DE AGUA INSUFICIENTE	51
MANTENIMIENTO DEL CARTUCHO DE FILTRO	52
GUIA GENERAL DE MANTENIMIENTO	54
HIBERNACION	54
GUIA DE SOLUCION DE PROBLEMAS	55
GARANTIA	55



Nota: Acceso directo al sitio web de Waterco para obtener información adicional sobre los filtros MultiCyclone DUO.

NORMAS GENERALES DE SEGURIDAD

1. Las máquinas y equipos mencionados en el manual están diseñadas específicamente para la prefiltración y recirculación del agua en piscinas.
2. Están diseñadas para funcionar con agua limpia a una temperatura máxima de **40 °C (104 °F)**.
3. La instalación debe realizarse de acuerdo con las instrucciones de seguridad para piscinas, **en especial la norma HD 60364-7-702**, y las instrucciones específicas de cada instalación.
4. Las normas que se aplican para la prevención de accidentes deben seguirse cuidadosamente.
5. Toda modificación del filtro requiere el **consentimiento previo del fabricante**. Las piezas de recambio y los accesorios originales autorizados por el fabricante aseguran un alto nivel de seguridad. El fabricante de la bomba no asume ninguna responsabilidad por los daños y lesiones **causados por piezas de recambio y accesorios no autorizados**.
6. Durante el funcionamiento, algunas partes de la bomba y el resto de equipos están sujetos a una tensión eléctrica peligrosa. Solo pueden realizarse trabajos en una bomba o en los equipos conectados a ella después de **desconectarlos de la red eléctrica y después de desconectar el dispositivo de arranque**.
7. El usuario debe asegurarse de que las tareas de montaje y mantenimiento las realicen **personas cualificadas autorizadas** y de que estas personas han leído primero detenidamente las siguientes instrucciones de mantenimiento e instalación.
8. La seguridad operativa de la bomba y el resto de equipos solo se garantiza si se siguen correctamente las instrucciones de mantenimiento e instalación.
9. Los valores límite que se indican en la tabla técnica **no deben superarse bajo ninguna circunstancia**.
10. En caso de defectos en el funcionamiento o de avería, póngase en contacto con el departamento de asistencia técnica del fabricante o con sus agentes autorizados más cercanos.
11. Si el cable de alimentación está dañado, un agente de servicio autorizado debe reemplazarlo.
12. Este aparato no está destinado a ser utilizado por personas (incluidos los niños) con capacidades físicas, sensoriales o mentales reducidas, o que carezcan de experiencia y conocimientos, salvo que estén supervisados por una persona responsable de su seguridad o que dicha persona les haya dado instrucciones sobre el uso del aparato y que entiendan los riesgos implicados.
13. El equipo no está pensado para que niños pequeños lo usen. Los niños pequeños deben estar vigilados para garantizar que no juegan con el equipo.
14. Todo el trabajo de cableado (eléctrico) debe ser realizado por electricistas autorizados y debe instalarse de conformidad con los códigos locales.
15. Si la bomba o el resto de equipos van a instalarse en una piscina o en un estanque, es obligatorio que se instale un interruptor de salida a tierra con una corriente nominal de activación no superior a 30 mA.
16. Desconecte siempre el aparato de la corriente antes de montarlo, desmontarlo o limpiarlo.
17. En condiciones de congelación, se debe vaciar el agua del armazón de la bomba por completo a través de los tapones de vaciado.

Para su uso en Europa:

1. Este aparato no está destinado a ser utilizado por personas (incluidos los niños a partir de 8 años) con capacidades físicas, sensoriales o mentales reducidas, o que carezcan de experiencia y conocimientos, salvo que estén supervisados por una persona responsable de su seguridad o que dicha persona les haya dado instrucciones sobre el uso del aparato.
2. Los niños deben estar vigilados para garantizar que no juegan con el equipo.
3. La limpieza y mantenimiento por parte del usuario no deben realizarla niños sin la supervisión de un adulto.

MULTICYCLONE DUO

Disfrute de una piscina de agua cristalina sin complicaciones.

Nuestro filtro innovador combina la filtración centrífuga de MultiCyclone con la filtración por cartucho en un diseño compacto que ofrece un rendimiento superior y máxima comodidad.

- Filtración de doble fase.
- Mantenimiento mínimo.
- Ahorro energético e hídrico.
- 16 hidrociclones.
- Cartucho de filtro plisado DUO 200 de 18,5 m²/200 ft² y 23,2 m²/250 ft².



Filtración de doble fase

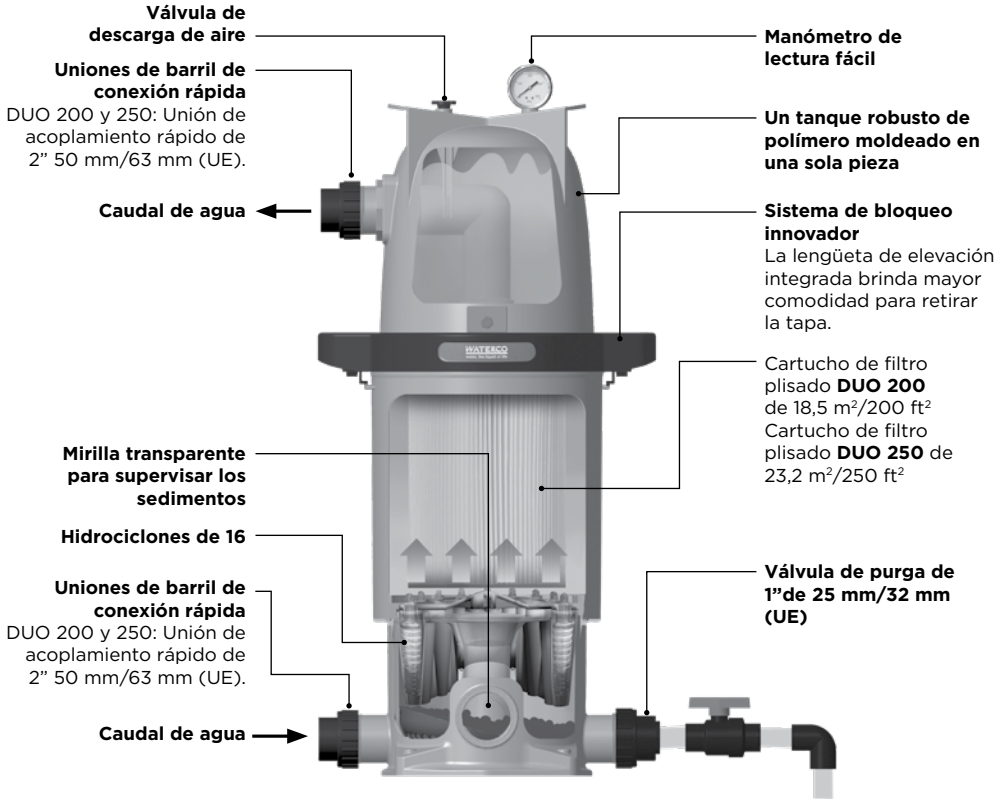
1. Entrada tangencial: el agua entrante penetra tangencialmente en 16 hidrociclones, lo que genera una potente fuerza centrífuga.
2. Separación de sedimentos: las partículas más pesadas se expulsan hacia afuera y descienden en espiral hasta la cámara de sedimentos transparente para supervisar todo fácilmente.
3. Salida de agua limpia: el agua limpia y filtrada fluye hacia el centro del hidrociclón y sale.

Mantenimiento sencillo

La cámara de sedimentos del MultiCyclone DUO se limpia fácilmente al abrir la válvula de purga y solo se descargan 28 litros (6 galones) de agua.

Capacidad del filtro mejorada

El filtro de la sección centrífuga del MultiCyclone DUO prefiltra hasta un 80% de la carga de suciedad entrante antes de que llegue al cartucho de filtro, lo que supone una capacidad del cartucho de filtro hasta cinco veces mayor. El MultiCyclone DUO tiene una capacidad de filtración equivalente a un filtro de cartucho de 92,5 m²/1000 ft² o 116 m²/1250 ft².



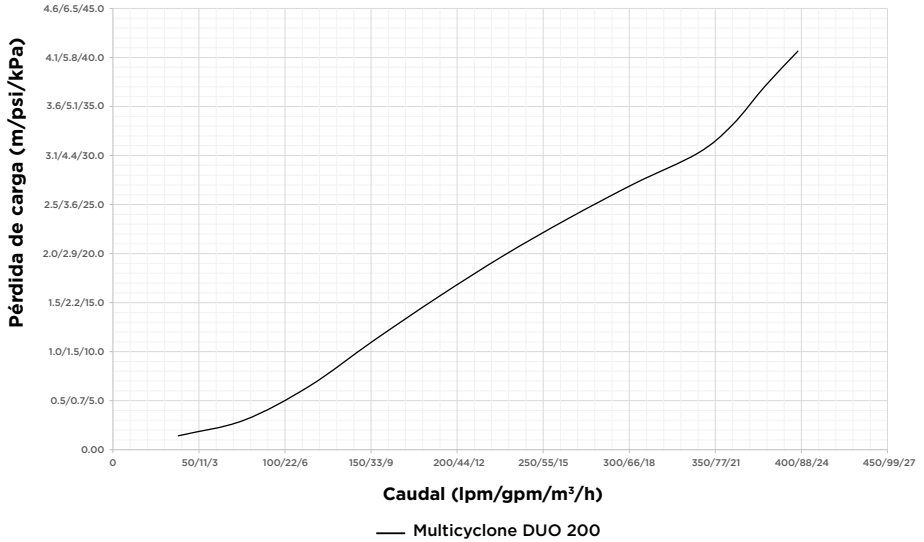
Nota: La sección centrífuga del MultiCyclone DUO está diseñada para filtrar sedimentos más pesados que el agua, por lo que los restos flotantes no se podrán filtrar mediante la filtración centrífuga.

Nota: La imagen que se muestra anteriormente representa el MultiCyclone con un cartucho de filtro de 18,5 m²/200 ft² (DUO 200) y de 23,2 m²/250 ft² (DUO 250).

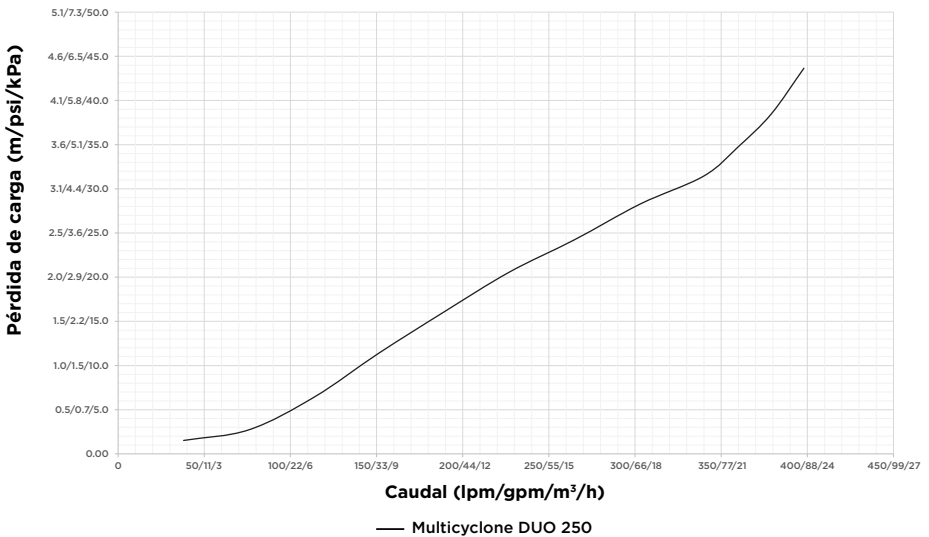
Descripción	Lumbreras de conexión	Caudal mínimo	Caudal máximo	Área filtrante	Presión máxima de trabajo	Temp. máxima
MULTICYCLONE DUO 200	50mm/63mm (UE)/2"	50l. p. m./3m ³ /h/11.0g. p. m.	500l. p. m./30m ³ /h/110.0g. p. m.	18,5m ² /200ft ²	350kPa/3,5bar	40°C
MULTICYCLONE DUO 250	50mm/63mm (UE)/2"	50l. p. m./3m ³ /hr/11.0g. p. m.	500l. p. m./30m ³ /h/110.0g. p. m.	23,2m ² /250ft ²	350kPa/3,5bar	40°C

CURVA DE PERDIDA DE CARGA TOTAL DEL MULTICYCLONE DUO

Curva de pérdida de carga total MultiCyclone DUO 200



Curva de pérdida de carga total MultiCyclone DUO 250



INSTALACION

Asegúrese de cumplir con las normativas locales relativas a las bombas.

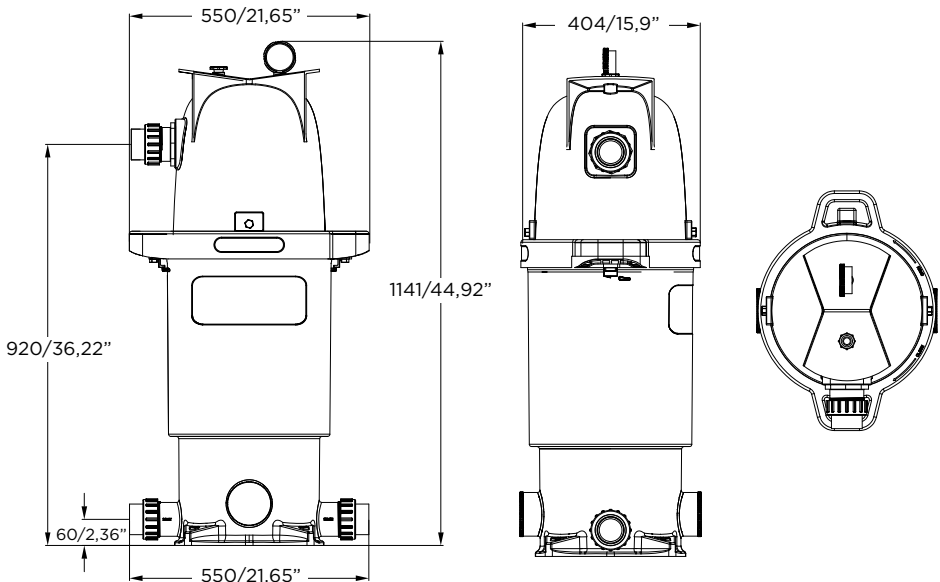
Asegúrese de que todos los suministros de tratamiento de aguas residuales cumplen con los códigos locales, territoriales o nacionales. No descargue agua en lugares en los que pueda provocar inundaciones o daños.

Si la presión del agua entrante es superior a la presión de funcionamiento máxima de 350 kPa/3,5 bar/50 psi, se debe instalar una válvula reductora de presión (VRP) en la sección ascendente de la entrada del filtro.

La VRP debe ajustarse al 90 % de la presión de funcionamiento máxima del depósito.

Si el caudal del agua entrante es inferior a los requisitos mínimos de caudal del filtro, la eficiencia de filtrado del filtro se verá afectada, en cuyo caso deberá ponerse en contacto con Waterco.

Especificación del tamaño del filtro (mm/pulg)



Instalacion habitual

1. Coloque el filtro tan cerca de la piscina/spa como sea posible.
2. Coloque el filtro de forma que esté a salvo de inundación, alejado de sumideros, canaletas, cavidades en el jardín, etc.
3. Coloque el filtro de forma que las conexiones de tuberías de las válvulas de purga y descarga de aire sean cómodas y accesibles para su funcionamiento, mantenimiento e hibernación.
4. Asegúrese de que la etiqueta de cumplimiento esté orientada hacia arriba para facilitar la identificación.
5. El filtro debe colocarse en una losa de hormigón nivelada, un suelo muy firme o un equivalente. Asegúrese de que el suelo no se hundirá, lo que evita así esfuerzos de la tubería sujeta.
6. Asegúrese de que no hay movimientos del filtro durante el funcionamiento de la válvula de purga.
7. Deje una holgura suficiente alrededor del filtro para permitir la inspección visual de todo el sistema.



Sistema de tuberías

1. Compruebe que la presión del agua entrante está dentro de la presión de trabajo recomendada del filtro y asegúrese de que haya instalada una válvula de limitación de presión si utiliza agua de la red o una bomba de alta presión.
2. Asegúrese de que haya instalada una válvula de retención/cierre si la bomba está instalada 500 mm/20" por encima del nivel de agua.
3. Si el filtro está instalado por debajo del nivel del agua o conectado al agua de la red, deben instalarse válvulas de aislamiento en la entrada y la salida del filtro. Esto evitará el flujo de agua durante cualquier mantenimiento rutinario.
4. Reduzca al mínimo la longitud de la tubería y el número de empalmes para reducir al mínimo las restricciones del flujo de agua.
5. Asegúrese de que todas las conexiones de tuberías están pegadas y fijadas de forma segura para evitar fugas.
6. Asegúrese de no aplicar exceso de disolventes a los empalmes, ya que podrían colarse en las juntas tóricas y provocar problemas de sellado.
7. No apriete en exceso los empalmes o adaptadores.

Atornille las partes traseras y las uniones de medio tambor a las entradas y salidas antes de pegar las tuberías de UPVC al filtro.

PRECAUCIÓN

Nota: No utilice líquido sellador ni cinta de teflón en las roscas de entrada o salida del MultiCyclone ni en las roscas de unión para conectar las roscas de unión de tambor.

Utilice solo el pegamento recomendado para conectar las tuberías y empalmes

Corte y acople la tubería y los empalmes en el MultiCyclone DUO y la bomba. **Consulte** el manual de instalación de la bomba para obtener información sobre el proceso correcto para instalar las tuberías de la bomba.

Se recomienda acoplar todos los empalmes y tuberías que se han cortado en el sistema de filtración **antes** de pegar los elementos, ya que de esta forma se asegurará que el sistema **se ha alineado** de manera correcta.

Pegue las tuberías y los empalmes a la bomba, el filtro y las tuberías de retorno de la piscina y **deje** que el pegamento se endurezca **durante 24** horas antes de poner en marcha el sistema.

Conexión de las bombas

1. Conecte la tubería que se extiende desde la salida de la bomba a la entrada del MultiCyclone DUO.
2. Lleve a cabo la conexión desde la tubería que se extiende desde la salida del MultiCyclone DUO al siguiente componente en línea con el sistema de filtrado.
3. Pegue todas las tuberías a los empalmes de unión del tambor según las especificaciones del fabricante del pegamento (disolvente) y deje que se endurezca durante 24 horas. Asegúrese de no aplicar exceso de pegamento (disolvente) a los empalmes, ya que podrían colarse en las juntas tóricas y provocar problemas de sellado.

Nota: Waterco recomienda instalar una válvula de cierre tras el MultiCyclone DUO en la tubería de retorno de la piscina para ayudar a descargar los restos que se recojan. Consulte la sección «Presión de agua insuficiente».

4. Encienda la bomba para piscinas. Compruebe que no haya fugas en los conectores. Apriete a mano en caso de que sea necesario.

PROCEDIMIENTO DE PUESTA EN MARCHA

El MultiCyclone es un sistema de filtrado avanzado y de gran eficiencia que ofrece años de servicio sin problemas si se siguen los siguientes procedimientos de mantenimiento.

El proceso para poner en marcha el sistema de filtrado por primera vez o después de una limpieza es el mismo.

1. Asegúrese de que las conexiones de tuberías del MultiCyclone DUO son correctas.
2. Asegúrese de que todas las válvulas instaladas antes y después del MultiCyclone DUO están abiertas.
3. Afloje la válvula de descarga de aire en la parte superior del filtro MultiCyclone DUO.
4. Ceba la bomba de piscina. (*Consulte el manual de instalación y funcionamiento de la bomba*).
5. Encienda la bomba de piscina y deje que funcione hasta que se haya expulsado todo el aire del MultiCyclone DUO. El agua se drenará a través de la válvula de descarga de aire.
6. Vuelva a apretar la válvula de descarga de aire.
7. El filtro se ha cebado y está listo para su funcionamiento.

Nota: En algunos casos es posible que esta operación deba llevarse a cabo varias veces antes de que la unidad permanezca en estado de cebado y sea totalmente funcional.

⚠ PRECAUCIÓN

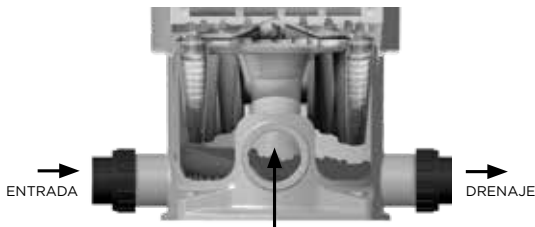
No se ponga de pie sobre la tapa del MultiCyclone DUO mientras ajuste la válvula de descarga de aire para purgar el aire del sistema.

Es probable que se produzcan lesiones si se afloja la válvula de descarga de aire..

MANTENIMIENTO DEL FILTRO MULTICYCLONE DUO

El mantenimiento del filtro MultiCyclone DUO se determina mediante las siguientes condiciones:

1. La cámara de sedimentos ha alcanzado la mitad de la capacidad de llenado con sedimentos. La acumulación de sedimentos puede controlarse visiblemente a través de mirilla transparente del MultiCyclone DUO. El MultiCyclone DUO se limpia al abrir la válvula de purga. Solo se descargan 28 litros (6 galones) de agua para eliminar el sedimento del MultiCyclone.



Mirilla transparente para supervisar los sedimentos

2. Una lectura del manómetro de 50 kPa (7,2 psi) por encima de la presión de funcionamiento podría dar como resultado un caudal reducido que no sea suficiente para cumplir con los requisitos de la piscina.

Por ejemplo, si el filtro funciona normalmente a 60 kPa (8,2 psi), se debe limpiar a 110 kPa (16 psi).

Descarga de la cámara de sedimentos

Cuando la bomba esta en marcha:

Mientras la bomba de agua está en marcha, solo hay que abrir la válvula de purga de sedimentos hasta que se haya descargado el sedimento, lo que se puede ver a través de la cámara de sedimento transparente. Cuando se haya descargado el sedimento, cierre la válvula de purga.

Cuando la bomba no esta en marcha:

Otra opción es apagar la bomba, abrir la válvula de descarga de aire y después abrir la válvula de purga. El agua saldrá del MultiCyclone DUO y se eliminará la mayoría de los residuos de la cámara de sedimento. A continuación, cierre la válvula de descarga de aire y encienda la bomba, con lo que la turbulencia del agua al entrar en la cámara de sedimento eliminará el resto del sedimento. Cuando se haya limpiado la cámara de sedimento, cierre la válvula de purga, encienda la bomba y cierre la válvula de descarga de aire cuando el agua circule hacia fuera a través de la válvula de descarga de aire.

PRESION DE AGUA INSUFICIENTE

En los casos en los que el caudal de agua no tenga suficiente potencia para expulsar el sedimento de la cámara de sedimento, Waterco recomienda acoplar una válvula de 2 vías después del MultiCyclone DUO en la tubería de retorno de la piscina.

La válvula de 2 vías se utiliza para impulsar el caudal de agua y que salga del MultiCyclone DUO, con lo que se aumenta la turbulencia del agua en la cámara de sedimento y se mejora la capacidad de purga.

Con la bomba funcionando, abra la válvula de purga y cierre entonces parcialmente la válvula de 2 vías. Así se impulsa el caudal de agua lo suficiente como para expulsar el sedimento retenido en la cámara de sedimento. Cuando la cámara de sedimento esté limpia, abra la válvula de 2 vías y después cierre la válvula de purga.

PRECAUCIÓN

No cierre la valvula de 2 vias antes de abrir la valvula de purga y no cierre la valvula de purga mientras la valvula de 2 vias esta cerrada total o parcialmente. Las dos valvulas no deben estar nunca cerradas total o parcialmente al mismo tiempo.

MANTENIMIENTO DEL CARTUCHO DE FILTRO

Para garantizar la máxima vida útil del cartucho de filtro del MultiCyclone DUO, se debe llevar a cabo un mantenimiento del cartucho de filtro con regularidad.

Cuando se ponga en marcha el filtro por primera vez y se haya purgado de aire, registre la presión del manómetro. Esto es lo que se conoce como la presión de funcionamiento del filtro y se trata de un número que es importante conocer.

Todos los sistemas de filtración funcionan con una presión diferente según el sistema hidráulico de la piscina.

Deberá limpiar el cartucho de filtro una vez que el manómetro haya alcanzado los 50 kPa (7,2 psi) por encima de la presión de funcionamiento.

Por ejemplo, si el filtro funciona normalmente a 60 kPa (8,2 psi), se debe limpiar a 110 kPa (16 psi).

Limpieza del elemento del cartucho

Antes de extraer la tapa del filtro de cartucho del MultiCyclone DUO, deberá liberar la presión del armazón del cartucho de filtro. Con la bomba apagada, afloje la válvula de liberación de aire en la parte superior de la tapa del filtro del MultiCyclone DUO para liberar la presión del armazón del filtro.

1. El filtro MultiCyclone DUO cuenta con un innovador mecanismo de bloqueo diseñado para una comodidad inigualable. Con tan solo girar la anilla de seguridad en el sentido de las agujas del reloj, se puede fijar el filtro en su lugar.

Nota: Asegúrese de que el émbolo de bloqueo de la anilla de seguridad pase por las lengüetas de sujeción del tanque del filtro y esté correctamente instalado y apretado para evitar fugas de agua.

Cuando llegue el momento de reemplazar el cartucho, simplemente mantenga presionado el émbolo de bloqueo a la vez que gira la anilla de seguridad en sentido antihorario. La lengüeta de elevación integrada en la tapa la levanta sin esfuerzo junto con la anilla de seguridad, lo que brinda acceso rápido y fácil al cartucho del filtro.

2. Retire el elemento del cartucho de filtro del armazón.
3. Con una manguera de jardín, limpie la superficie del elemento plisado. Asegúrese de limpiar entre los pliegues del elemento del cartucho.
4. Vuelva a colocar el elemento del cartucho de filtro en el armazón y asegúrese de que esté instalado correctamente.
5. Asegúrese de que la junta tórica no presenta residuos y está instalada correctamente en la ranura de la junta tórica del cuerpo del filtro antes de volver a instalar la tapa.
6. Coloque la tapa sobre la carcasa del filtro y alinee la tapa:
 - Asegúrese de que la tapa esté correctamente alineada con el tanque del filtro.

7. Vuelva a colocar la abrazadera de sujeción.
Gire la anilla de seguridad en el sentido de las agujas del reloj hasta que se escuche un clic. Esto indica que el émbolo de bloqueo se ha acoplado a las lengüetas del tanque.
Apriete las tuercas de sujeción con una llave inglesa de 25 mm (1") o una llave ajustable y asegúrese de que la tapa esté correctamente colocada.

Nota importante:

Ajuste suficiente: es crucial apretar la anilla de seguridad lo suficiente para garantizar un ajuste seguro y evitar que se incline. Si no se aprieta lo suficiente, pueden causarse fugas.

Inspección visual: después de apretar, inspeccione visualmente la tapa para asegurarse de que esté correctamente colocada.

Nota: Asegúrese de que el émbolo de bloqueo de la anilla de seguridad pase por las lengüetas de sujeción del tanque del filtro y esté correctamente instalado y apretado para evitar fugas de agua.

Si no siente seguridad con el proceso o si se encuentra con alguna dificultad, le recomendamos consultar el manual del usuario del modelo de filtro específico o solicitar la ayuda de un técnico cualificado.

8. Consulte los procedimientos de puesta en marcha para volver a poner en marcha el funcionamiento.

 PRECAUCIÓN

No apriete en exceso las tuercas de sujeción de la tapa.

Se recomienda retirar el elemento del cartucho de filtro de forma periódica para bañarlo por la noche en un compuesto de limpieza para cartuchos adecuado, para eliminar así los restos que no se hayan podido deshacer al limpiar con la manguera el elemento del cartucho de filtro.

Algunas tiendas para piscinas ofrecen servicios de limpieza para cartuchos del elemento de filtro con las soluciones adecuadas; de lo contrario, también puede optar por utilizar la solución de limpieza para elementos del cartucho de Waterco. Las instrucciones de uso se muestran en el producto.

El tiempo de limpieza depende del estado y el uso de la piscina. Los intervalos de limpieza del elemento del cartucho no deberían ser superiores a seis meses en cualquier caso.

GUIA GENERAL DE MANTENIMIENTO

Para asegurar la máxima vida útil del MultiCyclone DUO, siga los siguientes procedimientos:

1. Limpie el elemento del cartucho de filtro con frecuencia de acuerdo con las instrucciones que se muestran en la sección «Elemento del cartucho de filtro del MultiCyclone».
2. Mantenga un equilibrio químico correcto del agua de su piscina/spa. El equilibrio químico del agua es una relación entre su pH, la alcalinidad total, la dureza de calcio y la temperatura del agua. El agua debe mantenerse en todo momento como se indica a continuación:
NIVEL DE PH : ENTRE 7,2 y 7,8.
ALCALINIDAD TOTAL : ENTRE 80 y 150 p. p. m.
DUREZA DE CALCIO : ENTRE 150 y 300 p. p. m.

Del mismo modo, dentro de estas tolerancias debe estar equilibrada según el Índice de Saturación de Langelier dentro de un rango de -0,2 a +0,2.

Nota: Hay disponibles kits de prueba para que pruebe el agua usted mismo o para que lleve una muestra del agua a una tienda especializada en piscinas y spa.

3. Los suministros de agua de la red y de agua rural deben estar controlados. La saturación (vida) en agua de la red o la ola (agua rural) variará en función de la calidad del agua.
4. Para evitar daños en la bomba y en el filtro y para que el sistema funcione adecuadamente, limpie el depurador de la bomba y las cestas espumadoras regularmente.
5. Sustituya el manómetro si se observan lecturas defectuosas.

HIBERNACION

Deben llevarse a cabo procedimientos de hibernación adecuados para proteger el filtro en climas fríos (temperaturas por debajo del punto de congelación).

1. Desconecte la bomba/cierre la válvula de entrada.
2. Abra la válvula de descarga de aire y la válvula de purga para expulsar el agua del MultiCyclone DUO.
3. Retire los tapones de drenaje del filtro.
4. Vacíe el agua de las conexiones de tuberías.

GUIA DE SOLUCION DE PROBLEMAS

Sintomas	Soluciones/problemas posibles
El agua no es cristalina	Niveles de desinfectante insuficientes
	Química de piscina incorrecta
	Mucha gente bañándose o cargas de suciedad elevadas
	Caudal incorrecto
	Tiempos en marcha insuficientes (Aumente el tiempo en marcha)
	El filtro está sucio. (Límpielo de acuerdo con las instrucciones)
	Abertura en el elemento filtrante
	Pérdida de aire en la tubería de aspiración
	Álabes del impulsor de la bomba bloqueados
Caudal de agua bajo	Otras restricciones incluyen (limpiadores de aspiración de piscinas) resistencia desde otros equipos en línea tales como depuradores
	Bomba no cebada
	Compruebe las cestas de los depuradores en busca de residuos
	Compruebe si hay pérdidas de aire en el lado de la aspiración
	Compruebe si hay obstrucciones o bloqueos en las tuberías de aspiración o retorno
	El filtro del sistema debe limpiarse o sustituirse
	Nivel de agua en la piscina excesivamente bajo
	Bomba no cebada
Ciclos de filtro cortos	Álabes del impulsor de la bomba bloqueados
	Las cestas de los depuradores no se utilizan o no se limpian con frecuencia
	Bomba en funcionamiento con velocidad excesivamente baja (baja tensión)
	Presencia de algas; compruebe el contenido del desinfectante
Presión elevada durante la puesta en marcha	Compruebe el nivel de pH y alcalinidad total
	Rendimiento de la bomba mayor que el caudal diseñado; compruebe el rendimiento de la bomba
	Limpieza deficiente; compruebe el estado de la cámara de sedimento
La suciedad regresa a la piscina	Boquilla de retorno pequeña en la piscina/spa
	Válvula parcialmente cerrada en la tubería de retorno
	Bomba demasiado grande, compruebe la selección
	Orificio en el cartucho del filtro, reemplace el cartucho del filtro.
	Sello de junta tórica dentro del filtro desgastado; reemplace la junta tórica.

GARANTIA

El MultiCyclone DUO está cubierto por una garantía de 10 años para el tanque Duo, 3 años para los componentes del MultiCyclone y 1 año de garantía para la mano de obra. Las instalaciones comerciales están cubiertas con una garantía de 1 año.

Consulte las condiciones de la garantía de Waterco.

Nota: Puede encontrar una copia del folleto de la garantía de Waterco en la página web de Waterco, www.waterco.com, o si escanea el código QR.



目录

一般安全规则	57
MULTICYCLONE DUO	58
MULTICYCLONE DUO 总水头损失曲线	60
安装	61
启动程序	64
MULTICYCLONE DUO 过滤器的维护	64
水压不足	65
滤芯维护	66
一般维护指南	68
防冻	68
故障排除指南	69
质保	69



注意：请直接访问运水高公司网站，详细了解 MultiCyclone DUO 过滤器。

一般安全规则

1. 本手册中所述机器与设备专为泳池水的预过滤和再循环而设计。
2. 它们专门设计用于在不超过**40摄氏度（104华氏度）**的温度下处理清洁水。
3. 应当根据泳池安全说明，尤其是 **HD 60364-7-702 标准**，以及每类设施的具体说明进行安装。
4. 应当小心遵循事故预防规则。
5. 对水泵进行任何改装需要获得**制造商的事先同意**。制造商授权的原厂替代零件和配件可确保较高的安全水平。水泵制造商对于**非授权替代零件和配件造成的损坏和伤害不承担责任**。
6. 运行期间，水泵的某些零件和其他设备可能受到危险电压的损坏。仅当水泵或与之连接的设备**断开市电电源，并且断开启动设备后**，才能对其开展操作。
7. 用户应当确保由**符合资质的获授权人员**开展组装和维护任务，并且这些人员已事先仔细阅读服务和安装说明。
8. 仅当正确遵守安装和维修说明时，水泵和其他设备的安全运行才有保障。
9. **在任何情况下，均不得超出技术表中规定的限值。**
10. 若出现带故障运行或故障，请联系制造商的技术支持部门或者最近的获授权代理。
11. 若电源线损坏，必须由获授权的维修代理进行更换。
12. 对于身体、感官或精神状态不佳的人员或者缺乏经验和知识的人员（包括儿童），除非有对其安全负责的人员监督，或者对其进行了关于设备使用的说明介绍，且其了解相关危险，否则不能由其使用设备。
13. 该设备不可由幼儿使用。应当监管幼儿，确保其不触碰设备。
14. 所有线路工作（电气工作）必须由具备执业资格的电工依照当地法规完成。
15. 若水泵和其他设备安装在泳池或池塘边，必须安装一个额定跳闸电流不超过 30mA 的对地漏电断路器。
16. 在组装、拆卸或清洗之前，务必断开设备的电源连接。
17. 在冰冻天气下，必须打开泵壳上的排水塞，将泵壳中的水完全排出。

欧洲境内使用须知：

1. 凡肢体能力不健全者、感官迟钝者、心智不健全者、经验知识欠缺者，包括八岁及以上儿童，均不宜使用本电器，除非有人负责其安全，在旁照看或指导其操作。
2. 儿童应有人照看，切勿让儿童摆弄本电器。
3. 若无人旁照看，切勿让儿童清洁、维护本电器。

MULTICYCLONE DUO 过滤器

无需费力，即可轻松拥有清澈的泳池水。

我们的这款创新性过滤器将 MultiCyclone 离心预过滤和滤芯式过滤集成于紧凑的设计中，在提供卓越性能的同时，还兼具便利性。

- 双阶段过滤。
- 只需最少维护。
- 节约用水和能源。
- 16 个水力旋流器。
- DUO 200 18.5平方米/200平方英尺 & 23.2平方米/250平方英尺折叠滤芯。



双阶过滤

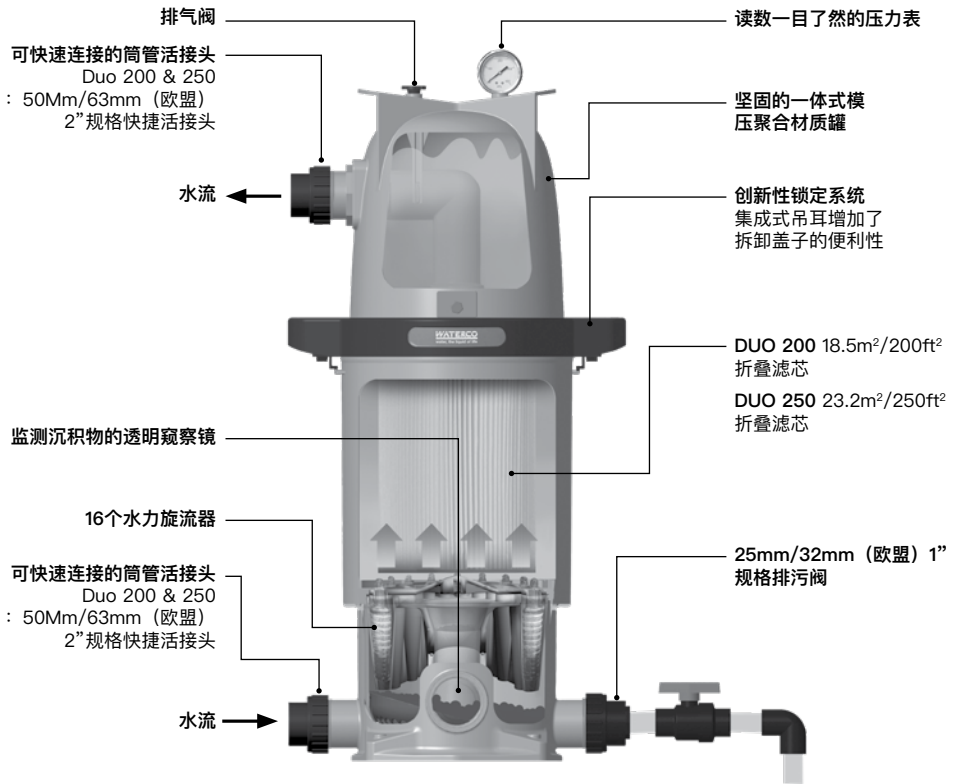
- 1.切向进入：进水以切向进入 16 个水力旋流器，产生强大的离心力。
- 2.沉积物分离：较重的颗粒向外旋转并螺旋下降至透明的沉积池内，以便于监测。
- 3.净水出口：经过滤的干净水流至水力旋流器的中心并排出。

维护简单

清洁 MultiCyclone DUO 沉积池十分简单，打开排污阀即可。排污过程仅用水 28 升（6 加仑）。

过滤能力大增

MultiCyclone DUO 的离心部分过滤器可在进入滤芯之前预先过滤多达 80% 的进入污垢，从而将滤芯的过滤能力放大高达 5 倍。MultiCyclone DUO 的过滤能力相当于 92.5 平方米/1000 平方英尺和 116 平方米/1250 平方英尺的滤芯式过滤装置。



注意: 按照设计, MultiCyclone DUO 的离心部分旨在滤除密度比水大的沉积物。漂浮的杂物无法通过离心过滤滤除。

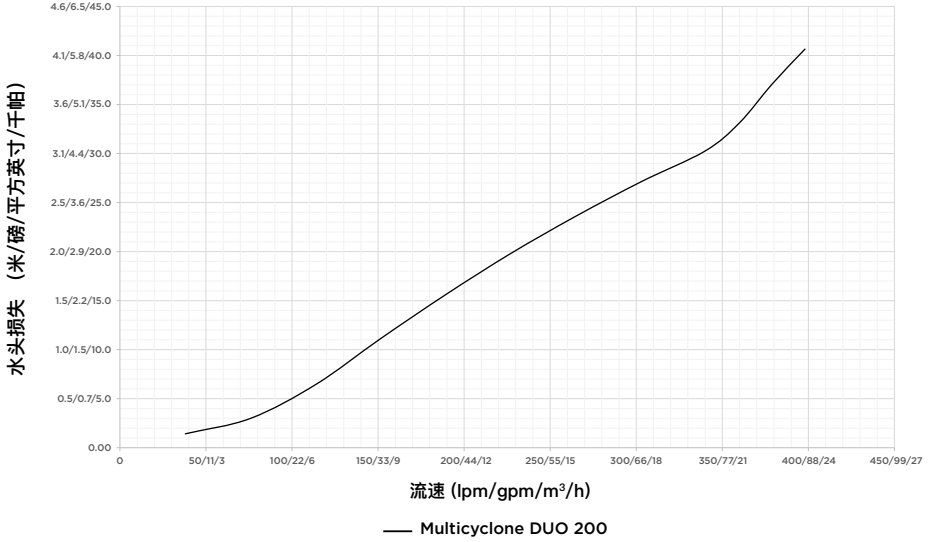
注意: 上图显示的是带有 18.5 平方米/200 平方英尺滤芯的 MultiCyclone DUO 200 和 23.2 平方米/250 平方英尺的 MultiCyclone DUO 250。

描述	接口	最低流量	最大流量	过滤面积	最大工作压力	最高温度
MULTICYCLONE DUO 200	50mm/63mm (欧盟) /2"	50lpm/ 3m ³ /hr/ 11.0gpm	500lpm/ 30m ³ /hr/ 110.0gpm	18.5m ² / 200ft ²	350kPa/ 3.5bar	40°C
MULTICYCLONE DUO 250	50mm/63mm (欧盟) /2"	650lpm/ 3m ³ /hr/ 11.0gpm	500lpm/ 30m ³ /hr/ 110.0gpm	23.2m ² / 250ft ²	350kPa/ 3.5bar	40°C

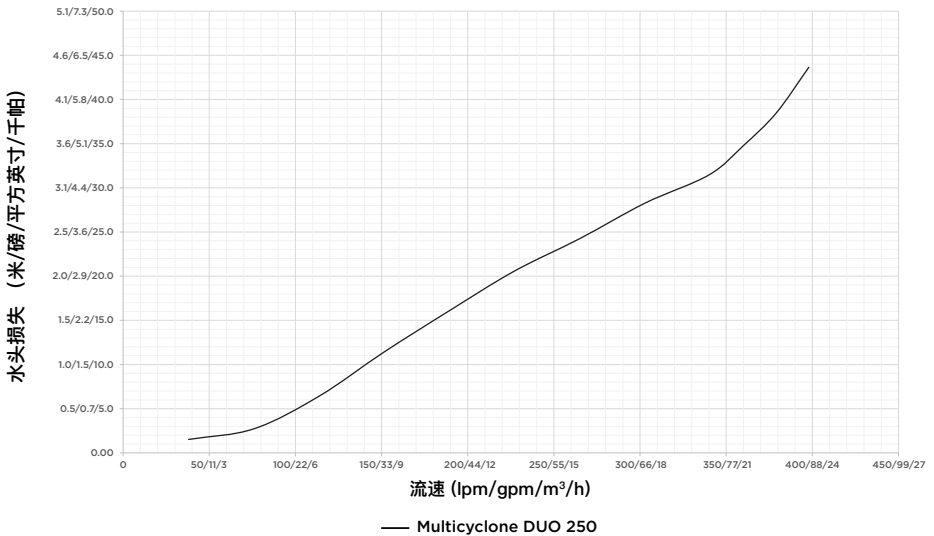
MULTICYCLONE DUO

总水头损失曲线

MultiCyclone DUO 200 总水头损失曲线



MultiCyclone DUO 250 总水头损失曲线



安装

务必遵守当地的管道系统规范。

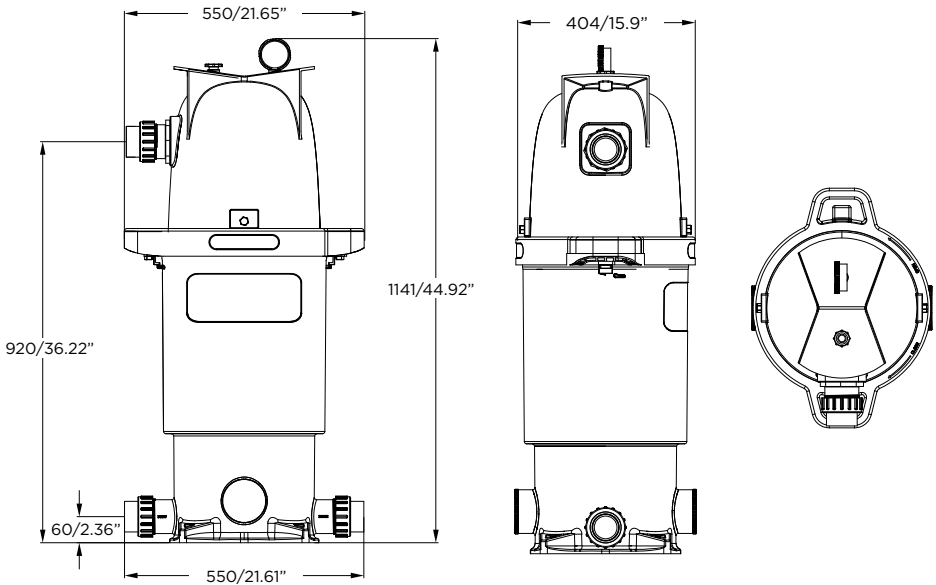
确保所有废水处理做法符合当地、州/省或国家法规。切勿将水排放到可能引起洪水或损坏的地方。

如果进水压力高于最大工作压力 350kPa/3.5Bar/50psi，则必须在过滤器进口上游安装压力调节阀。

压力调节阀应设置为水罐最大工作压力的 90%。

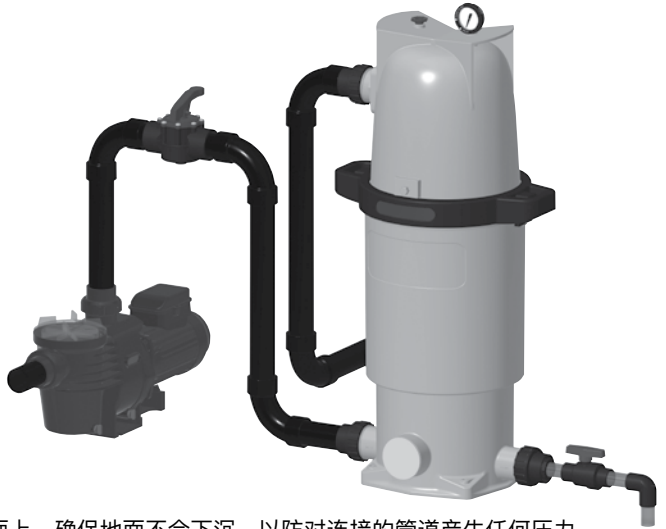
如果进水流速低于过滤器的最小流速要求，过滤器的过滤效率将会受到影响，请咨询运水高。

过滤器尺寸规格 (mm/in")



典型安装

1. 将过滤器放置在尽可能靠近泳池/水疗池的位置。
2. 将过滤器放置在不会被洪水淹没且远离污水坑、排水沟、花园洼地等的位置。
3. 放置过滤器时，应确保管道连接排污阀和排气阀方便且易于操作、维修和防冻。
4. 确保合规标签面向正面，以便于识别。
5. 过滤器应放置在水平混凝土板、非常坚固的地面或类似界面上。确保地面不会下沉，以防对连接的管道产生任何压力。
6. 排污阀运行期间确保过滤器不发生移动。
7. 过滤器周围留有足够的间隙，以便目视检查整个系统。



管道系统

1. 检查进水压力是否在过滤器的建议工作压力范围内；如果使用自来水或高压泵，应确保安装限压阀。
 2. 如果水泵安装位置超过水位以上 500 毫米（20 英寸），应安装底阀/止回阀。
 3. 如果过滤器安装在水位以下或连接到自来水，应在过滤器的进口和出口位置安装隔离阀。这将防止在日常维护过程中出现水流。
 4. 尽量减少管道长度和配件数量，以此将对水流的限制降至最低。
 5. 确保所有管道连接均已粘合并紧固，以防泄漏。
 6. 确保接头处不要涂抹过多的溶剂，以防其进入“O”型圈并产生密封问题。
 7. 切勿过度拧紧接头或适配器。
- 将 UPVC 管道粘到过滤器上之前，将提供的半管活接头和尾管接头拧到进口和出口上。

警告

注意: 切勿在 MultiCyclone 进口或出口的螺纹上或连接管道活接头的螺纹上使用液体密封胶或螺纹胶带。

仅使用推荐的胶水连接管道和配件

将管道和配件按需切割并安装到 MultiCyclone DUO 和水泵上。请参阅水泵安装手册，了解正确的水泵管道安装程序。

最佳做法是在粘合之前将所有切割好的管道和配件安装到过滤系统上；这将确保系统已正确对齐。

将管道和配件粘合到水泵、过滤器和泳池回流管路上，静待胶水凝固**24**小时，然后再调试系统。

管道连接

1. 连接从水泵出口延伸到 MultiCyclone DUO 进口的管道。
2. 将从 MultiCyclone DUO 出口延伸的管道连接到过滤系统的下一个组件。
3. 根据胶水（溶剂）制造商的规格，将所有管道粘合到管道活接头配件上，然后静置24小时待其凝固。确保接头处不要涂抹过多的胶水（溶剂），以防其进入“O”型圈并产生密封问题。

注意: 运水高建议，在 MultiCyclone 之后的泳池回流管路上安装截止阀，以帮助冲洗收集到的杂物。请参阅“水压不足”部分。

4. 打开泳池水泵。务必检查各连接处是否有泄漏。如有需要，用手拧紧。

启动程序

MultiCyclone DUO 是一款先进、高效的过滤系统；如果遵循以下维护程序，它可为您提供多年的无忧服务。

无论是新安装好还是清洁工作之后，该过滤系统的启动流程完全相同。

1. 确保 MultiCyclone DUO 管道连接正确。
2. 确保安装在 MultiCyclone DUO 之前和之后的所有阀门均打开。
3. 松开 MultiCyclone DUO 过滤器顶部的排气阀。
4. 启动泳池水泵。（请参阅水泵安装和操作手册）。
5. 打开泳池水泵让其运行，直到所有空气从 MultiCyclone DUO 中排出。水将从排气阀流出。
6. 重新拧紧排气阀。
7. 过滤器已启动并准备好运行。

注意：在某些情况下，可能需要执行几次此操作才能使设备保持启动并完全运行。

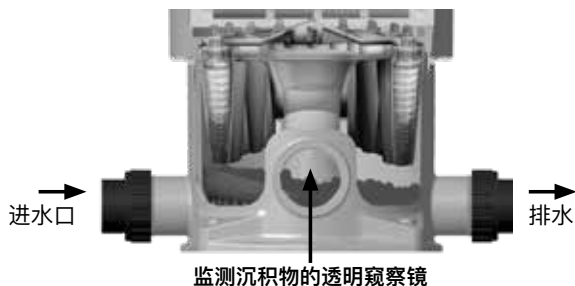
警告

调节排气阀以清除系统内的空气时，切勿站在 Multicyclone DUO 上方。
如果排气阀松动，可能会导致受伤。

MULTICYCLONE DUO 过滤器的维护

对 MultiCyclone DUO 过滤器的维护取决于以下状况：

1. 沉积池的一半充满沉积物。MultiCyclone DUO 的沉积池为透明材质，肉眼即可直接察污物的沉积情况。清洁 MultiCyclone DUO 沉积池十分简单，打开排水阀即可。清洗 MultiCyclone 沉积池只需放 28 升（6 加仑）水。



2. 压力表读数高于工作压力 50kPa (7.2psi) 可能会导致流速降低，不足以满足泳池的要求。

例如：如果过滤器的正常工作压力是 60kPa (8.2psi)，则需要 110kPa (16psi) 的压力下清洗。

冲洗沉积池

水泵运行时：

当水泵运行时，只需打开沉积物排污阀，直到将沉积物冲掉。通过透明的沉积池可以肉眼看到具体情况。沉积物被冲出后，关闭排污阀。

水泵未运行时：

可以关闭水泵。打开排气阀，然后打开排污阀。水将流经 MultiCyclone DUO，冲走沉积池中的大部分杂物。然后关闭排气阀、打开水泵，进入沉积池的水的湍流会将剩余的沉积物冲出。将沉积池清理完毕后，关闭排污阀、启动水泵，待水通过排气阀流出后，关闭排气阀。

水压不足

若水泵的水流不足以将沉积池中的沉积物清除，运水高建议在 MultiCyclone DUO 之后的泳池回水管路上安装一个二通阀。

该二通阀可用于节流从 MultiCyclone DUO 流出的水流，增加通过沉积池的水湍流并改善其净化作用。

当水泵运行时，打开排污阀，然后部分关闭二通阀，充分节流水流以冲洗沉积池中截留的沉积物。完成沉积池的清洁后，打开二通阀，然后关闭排污阀。

警告

在打开排污阀之前切勿关闭二通阀；二通阀关闭或部分关闭时，切勿关闭排污阀。两个阀门绝不能同时关闭或部分关闭。

滤芯维护

为了确保 MultiCyclone DUO 滤芯的最大使用寿命，需要定期维护滤芯。

当过滤器首次启动并清除空气后，记录压力表上的压力。该数值即为过滤器的工作压力，了解它很重要。

所有过滤系统将根据泳池的水力在不同压力下运行。

一旦压力表上的数值高于工作压力 50kPa (7.2psi)，便意味着需要清洁滤芯。

例如：如果过滤器的正常工作压力是 60kPa (8.2psi)，则需要在 110kPa (16psi) 的压力洗。

滤芯部分的清洁

在拆下 MultiCyclone DUO 滤芯式过滤器的盖子之前，需要释放滤芯外壳中的压力。断开水泵电源，松开 MultiCyclone DUO 过滤器盖子上方的排气阀，排空过滤器外壳中的压力。

1. MultiCyclone DUO 过滤器采用创新性锁定机制，旨在提供无与伦比的便利性。只需顺时针旋转锁环，即可将过滤器牢固锁定。

注意：确保锁紧环的锁定柱塞穿过过滤罐的固定吊耳并正确安装且拧紧，以防止漏水。

更换滤芯时，只需在按住锁定柱塞的同时，逆时针旋转锁环即可。安装在盖子上的创新吊耳可轻松将盖子与锁环一并提起，让您快速轻松地检修滤芯。

2. 从过滤器外壳上拆下滤芯部分。

3. 使用花园用软管清洁褶皱部分的表面。确保将滤芯部分的褶皱之间清洁干净。

4. 将滤芯部分放回过滤器外壳中，确保其正确就位。

5. 在重新安装盖子之前，确保“O”型圈内无任何杂物，并正确固定在过滤器主体“O”型圈凹槽中。

6. 将盖子放在过滤器外壳上并对齐盖子：

- 确保盖子与过滤罐正确对齐。

7. 重新调整固定夹带

顺时针转动锁环，直至听到清晰的咔哒声。这表明锁定柱塞已与滤罐上的锁定吊耳接合。

使用 25 毫米 (1 英寸) 开口扳手/活动扳手拧紧固定螺母，确保盖子正确安装。

重要提示：

充分拧紧：务必要拧紧锁紧环以确保安装牢固且不倾斜。不拧紧可能导致泄漏

目视检查：拧紧后，通过肉眼检查盖子以确保其牢固就位。

注意：确保锁紧环的锁定柱塞穿过过滤罐的固定吊耳并正确安装且拧紧，以防止漏水。

如果您对该过程没有把握，或者遇到任何困难，建议您查阅特定型号过滤器的用户手册或寻求有资质的技术人员的帮助。

8. 请参阅启动程序以重新开始运转。

⚠ 警告

切勿过度拧紧盖子的固定螺母。

建议定期取出滤芯部分，并将其浸泡在合适的滤芯清洁剂中过夜。这样做将清除冲洗滤芯部分时未清除的任何杂物。

有些泳池商店使用正确溶液提供滤芯部分的清洁服务；否则，您可以使用运水高的滤芯元件清洁溶液。产品上有使用说明。

清洁时间取决于游泳池的状况和使用情况。在任何情况下，对滤芯部分的清洁间隔不应超过 6 个月。

一般维护指南

为确保 MultiCyclone DUO 的最长使用寿命，请遵循以下步骤：

1. 按照“MultiCyclone 滤芯元件”下的说明定期清洁滤芯部分。
2. 将泳池/水疗池的水质维持在正确的化学平衡。水质化学平衡涉及 pH 值、总碱度、钙硬度和水温。水质必须始终维持在以下状态：
 PH 值 : 7.2 和 7.8 之间。
 总碱度 : 80 和 150ppm 之间。
 钙硬度 : 150 和 300ppm 之间。

此外在这些公差范围内，应将朗格利尔饱和指数平衡在 -0.2 至 $+0.2$ 之间。

注意： 您可使用试剂盒自行检测水质，也可将水质样本送到专业泳池和水疗中心检测。

3. 需监控自来水和农村用水的供应情况。自来水（生活用水）或者水井（农村用水）的饱和度将根据水质的不同而变化。
4. 为防止损坏水泵和过滤器，以及正确操作系统，应定期清洁水泵滤网和浮渣滤篮。
5. 如果观察到读数错误，应更换压力表。

防冻

在寒冷气候（温度低于冰点）下，应始终对过滤器采取适当的保护措施。

1. 关闭水泵/关闭进口阀。
2. 打开排气阀并打开排污阀，让水从 MultiCyclone DUO 中流出。
3. 拆下水泵上的所有排水塞。
4. 排出管道中的水。

故障排除指南

症状	潜在问题/解决方案
池水浑浊	消毒剂浓度不足。
	泳池所用化学品不适合。
	泳池负担过重和/或污物过多。
	流量不正确。
	运行时间不够。(增加水泵的运行时间。)
	过滤器过脏。(按照说明进行清洁。)
	滤芯上有孔。
	吸入管路空气泄漏
水流过缓	水泵叶轮片堵塞
	其他限制包括(泳池吸尘器)来自其他内联设备(如滤网)的阻力。
	水泵未启动。
	检查过滤篮内是否有杂物。
	检查吸入侧是否漏气。
	检查吸入管或回流管是否受限或堵塞。
	系统过滤器需要清洁或更换。
	泳池水位过低。
过滤周期短	水泵未启动。
	水泵叶轮片堵塞。
	未使用过滤篮和/或未定期清洁过滤篮。
	水泵在低速(低电压)下运行。
启动时压力大	存在藻类, 检查消毒剂含量。
	检查 pH 值和总碱度。
	水泵的输出超过过滤器的设计流速, 检查水泵的性能。
污垢返回泳池	清洁效果不佳, 检查沉积池的状况。
	泳池/水疗池回流口处的配件过小。
	回流管路上的阀门部分关闭。
污垢返回泳池	水泵太大, 检查是否需要更换。
	滤芯有孔, 更换滤芯。
	过滤器内的“O”型圈密封件磨损, 更换 O 型圈。

质保

MultiCyclone DUO 的质保期为: Duo 滤罐 10 年、Multicyclone 组件 3 年以及劳工部件 1 年。商业安装有一年的质保期。。

* 请参阅运水高公司的质保条款。

注意: 请访问运水高官网 www.waterco.com 或扫描二维码, 获取运水高质保手册的电子版。



Note:

Note:

OFFICES - AUSTRALIA
BUREAUX - AUSTRALIE
NIEDERLASSUNGEN - AUSTRALIEN
OFICINAS - AUSTRALIA

澳大利亚办事处

NSW - SYDNEY HEAD OFFICE

SIÈGE SOCIAL

FIRMENSITZ

OFICINA CENTRAL

总部

Tel : +61 2 9898 8686

VIC/TAS - MELBOURNE

Tel : +61 3 9764 1211

WA - PERTH

Tel : +61 8 9273 1900

QLD - BRISBANE

Tel : +61 7 3299 9900

SA/NT - ADELAIDE

Tel : +61 8 8244 6000

ACT DISTRIBUTOR

Tel : +61 2 6280 6476

OFFICES - OVERSEAS
BUREAUX - MONDE
NIEDERLASSUNGEN - INTERNATIONAL
OFICINAS - EXTRANJERO

海外办事处

WATERCO (EUROPE) LIMITED

SITTINGBOURNE, KENT, UK

TEL : +44 (0) 1795 521 733

WATERCO USA

AUGUSTA, USA

TEL : +1 706 793 7291

WATERCO CANADA

BOUCHERVILLE, QUEBEC, CANADA

TEL : +1 450 748 1421

WATERCO (NZ) LIMITED

AUCKLAND, NEW ZEALAND

TEL : +64 9 525 7570

WATERCO (C) LIMITED

GUANGZHOU, CHINA

TEL : +8620 3222 2180

WATERCO (FAR EAST) SDN BHD

SELANGOR, MALAYSIA

TEL : +60 3 6145 6000

PT WATERCO INDONESIA

JAKARTA, INDONESIA

TEL : +62 21 4585 1481

WATERCO SINGAPORE INTL PTE LTD

MIDVIEW CITY, SINGAPORE

TEL : +65 6344 2378

WATERCO VIETNAM COMPANY LIMITED

HO CHI MINH CITY, VIETNAM

TEL : +84 28 3622 7780

WATERCO

Waterco Limited ABN 62 002 070 733

