

Commercial & Water Treatment Catalogue

2025





Table of Contents

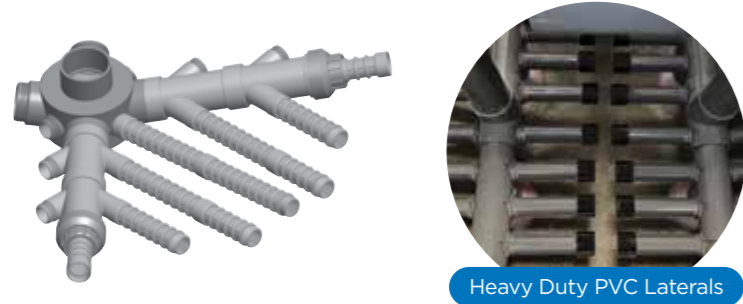
COMMERCIAL FILTERS	5
UFF AND CARTRIDGE FILTERS	27
WATER TREATMENT	53
MEDIA	59
PRE-FILTERS	65
PUMPS	73
HEATERS	91
COMMERCIAL SANITATION SYSTEMS	109
COMMERCIAL BLOWERS	119
COMMERCIAL AQUATICS ACCESSORIES	125

MICRON COMMERCIAL FIBREGLASS FILTERS

MICRON SIDEMOUNT DEEP BED FILTERS

Hydraulically Balanced Laterals

Hydraulically balanced "Fish Tail or Fish Bone" laterals for filtration and backwashing efficiency.



Heavy Duty PVC Laterals

MICRON SPDD NOZZLE PLATE FILTERS

Patented Nozzle Plate

A patented design for filtration and backwashing uniformity along with a custom designed flexible joint for durability.



MICRON HORIZONTAL FILTER

Proprietary Construction

Designed and manufactured utilising the latest filament winding machines, incorporation of non metallic fittings plus reinforced manhole openings unique to Waterco.



COMMERCIAL FIBREGLASS FILTERS

Micron Commercial Fibreglass Filters

Designed and built for high performance and reliability



Micron Fibreglass Filters

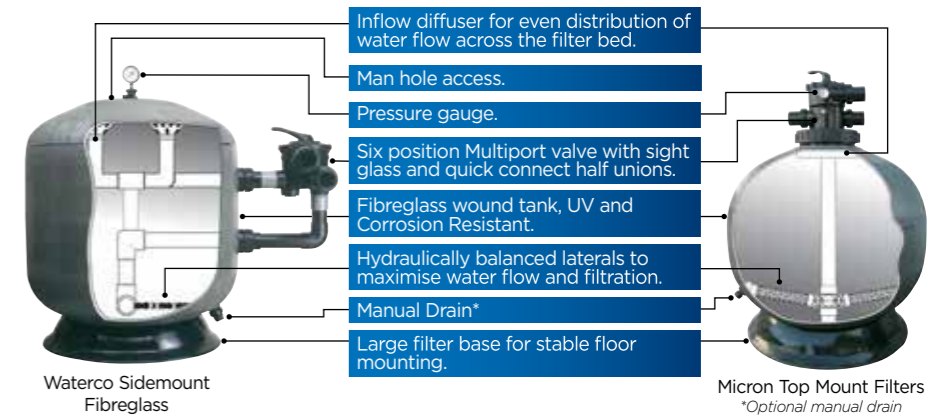
Micron fibreglass filters embody the latest in fibreglass winding technology. Waterco's digitally controlled filament winding machine faultlessly winds continuous strands of high quality fibreglass filament under controlled tension to create a seamless one-piece vessel with refined consistency and superior quality. There are no welds or seams or special tank linings which can corrode or electrolyse.



Manufactured from the highest grade of non corrosive materials and employing the latest in fibreglass winding technology, Micron fibreglass filters are designed and built for many years of trouble free operation.

- Available in top mount, side mount and horizontal configurations from filter areas of 0.87m² to 10.0m².
- Pressure rated at 250 kPa (36 psi), 400 kPa (58 psi), 600 kPa (87psi), 800kPa (116 psi) and up to 1000kpa (145 psi)
- Optional sight glasses and lateral man holes.
- Optional fibreglass reinforced vinyl ester for improved chemical resistance.
- NSF50, AS1210, AS4020 vessels available
- Multiple flange options available, e.g. ANSI, Table E, Table D

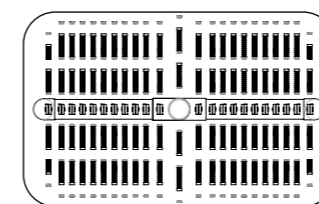
Waterco Micron Top and Sidemount Fibreglass Filters



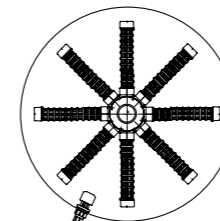
- Maximum working temperature of 50°C (122°F)

Micron "Fish Bone" laterals

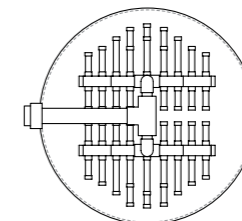
Conventional laterals are not suitable for larger sized commercial filters. "Dead legs" exist between the laterals and water flow is not optimised through the filter bed. Waterco's "Fish Bone" lateral configuration eliminates any "dead legs" by improving water flow distribution through the filter bed.



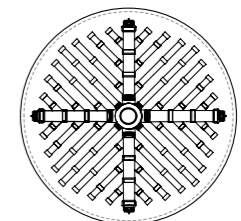
Heavy Duty PVC Laterals



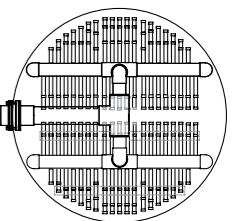
Conventional lateral configuration



Commercial vertical filters with 3" / 80mm ports



Commercial vertical filters with 2 1/2" / 65mm ports as well as the SD1200 and SD1400 with 3" / 80mm ports



Commercial vertical filters with 4"/100mm, 6"/150mm, 8"/200mm ports

Micron Top Mount Sand Filters

Proven Strength and Durability



Lateral under drain system

COMMERCIAL TOP MOUNT SAND FILTERS

Includes Multiport Valve (2.5 Bar). Higher pressure ratings are available on request.

Part Number	Product Description	Nominal Size
2204265	S1050 c/w 65mm MPV & Barrel Unions	42"
2204865	S1200 c/w 65mm MPV & Barrel Unions	48"
22014816	S1200 c/w 80mm MPV & Barrel Unions	48"
22015616	S1400 c/w 80mm MPV & Barrel Unions	55"

Specifications

Filter Model	Port Size	Bed Depth	Inner Diameter	Filter Area	Velocities and Flows				Media Volume	Sand		ECOPURE Glass		Glass Pearls 0.6-0.8	
					30m³/hr/m²	36m³/hr/m²	40m³/hr/m²	50m³/hr/m²		kg	kg	kg	kg		
	mm	mm	mm	m²	m³/hr		m³/hr		Litres	sub lateral gravel	Sand (above lateral)	sub lateral gravel	ECO PURE Glass (above lateral)	sub lateral gravel	Glass Pearl (above lateral)
S1050	65	510	1050	0.87	26	31	35	43	503	100	635	100	522	100	702
S1200	65	580	1200	1.13	34	41	45	#57	736	129	946	129	777	129	1046
S1200	80	580	1200	1.13	34	41	45	57	760	171	939	171	772	171	1038
S1400	80	670	1400	1.54	46	55	62	#77	1229	202	1593	202	1309	202	1762

Exceed recommended maximum flow rates

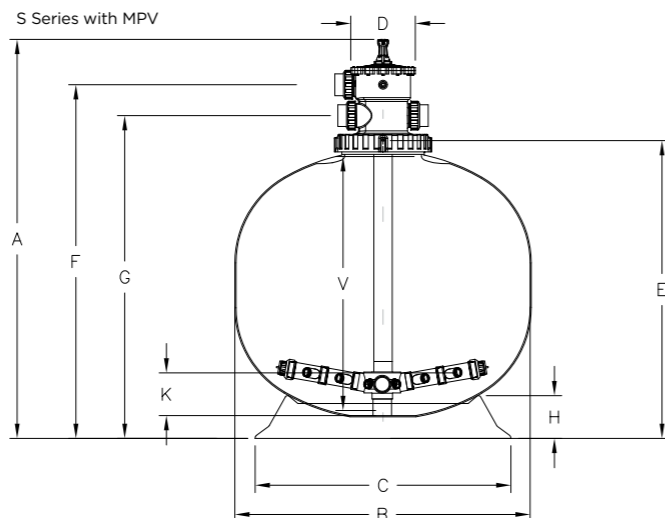
* Recommended maximum flow rates for port size: 65mm/75mm(EU), 760 lpm, 45.6m³/hr
80mm/90mm(EU), 1080 lpm, 64.8m³/hr

Dimension (mm) - S series - Models with 12" & 16" Neck

Model	Valve Size	A	B	C	D	E	F	G	H	V	K
S1050 12"Neck	65	1490	1077	1045	264	1025	1309	1183	176	940	163
S1200 12"Neck	65	1615	1210	1045	264	1215	1441	1315	176	1040	173
S1200 16"Neck	80	1941	1232	1045	301	1450	1669	1561	176	1200	200
S1400 16"Neck	80	2020	1440	1200	301	1530	1748	1640	220	1275	200

All figure tolerance 1%
Subject to alteration in actual production

Model	Filter Shipping Weight (2.5bar)	Shipping Volume (m³)
S1050 12"Neck	60	1.20
S1200 12"Neck	70	1.91
S1200 16"Neck	100	1.91
S1400 16"neck	150	3.18



SM series (400-670mm bed depths)

Proven Strength and Durability



COMMERCIAL SIDEMOUNT SAND FILTERS

Specifications - SM Series (400 - 670mm) bed depths

Filter Model	Port Size	Bed Depth	Inner Diameter	Filter Area	Velocities and Flows				Media Volume	Sand		ECOPURE Glass		Glass Pearls 0.6-0.8	
					30m³/hr/m²	36m³/hr/m²	40m³/hr/m²	50m³/hr/m²		kg	kg	kg	kg		
	mm	mm	mm	m²	m³/hr		m³/hr		Litres	sub lateral gravel	Sand (above lateral)	sub lateral gravel	ECO PURE Glass (above lateral)	sub lateral gravel	Glass Pearl (above lateral)
SM750	50	400	750	0.44	13	16	18	22	195	34	251	34	206	34	277
SM900	50	440	900	0.64	19	23	25	#32	301	42	398	42	327	42	441
SM1050	65	470	1050	0.87	26	31	34	43	432	55	575	55	472	55	636
SM1200	65	580	1200	1.13	34	41	45	#57	705	98	932	98	766	98	1031
SM1200	80	580	1200	1.13	34	41	45	57	705	98	932	98	766	98	1031
SM1400	80	670	1400	1.54	46	55	62	#77	1130	183	1467	183	1206	183	1623
SM1600	100	670	1600	2.01	60	#72	#80	#101	1483	244	1921	244	1579	244	2125

Exceed recommended maximum flow rates

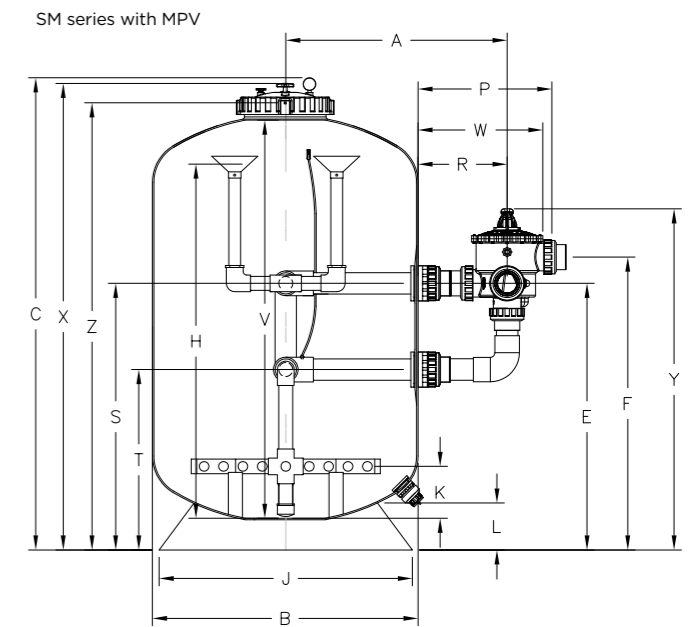
* Recommended maximum flow rates for port size: 50mm/63mm(EU), 510 lpm, 30.6m³/hr
65mm/75mm(EU), 760 lpm, 45.6m³/hr
80mm/90mm(EU), 1080 lpm, 64.8m³/hr
100mm/110mm(EU), 1800 lpm, 108m³/hr

Dimension (mm) - SM Series - Models with 12" and 16" Neck

Model	Port Size	Valve Size	A	B	C	W	R	P	E	F	K	V	H	L	X	Y	Z	J	S	T
SM750 8" Neck	50	50	613	772	976	334	262	191	541	643	113	763	652	90	943	800	870	620	541	338
SM900 12"Neck	65	65	689	923	1140	389	298	193	670	796	113	900	750	90	1108	980	1032	620	670	370
SM1050 12"Neck	65	65	796	1077	1273	389	298	193	772	898	120	985	880	176	1241	1082	1165	1045	772	472
SM1050 16"Neck	80	80	900	1077	1310	510	363	548	790	900	220	955	1470	176	1237	1172	1165	1045	790	435
SM1200 12"Neck	65	65	873	1232	1520	389	298	193	916	1042	190	1191	1022	176	1488	1226	1412	1045	916	616
SM1200 16"Neck	80	80	1170	1232	1550	510	363	548	952	1062	190	1158	1022	176	1477	1334	1405	1045	952	596
SM1400 16"Neck	80	80	1083	1442	1645	510	363	548	926	1036	190	1279	1065	218	1572	1308	1500	1202	926	570
SM1600 16"Neck	100	-	-	1644	1927	-	-	-	-	-	205	1537	1220	218	1854	-	1782	1202	1139	707

All figure tolerance 1%
Subject to modification

Model	Filter Shipping Weight (2.5bar)	Shipping Volume
SM750	31 kg	0.8 m³
SM900	43 kg	1.1 m³
SM1050	150kg	1.3m³
SM1200	160 kg	2.14 m³
SM1400	250 kg	3.36 m³
SM1600	300 kg	4.89 m³



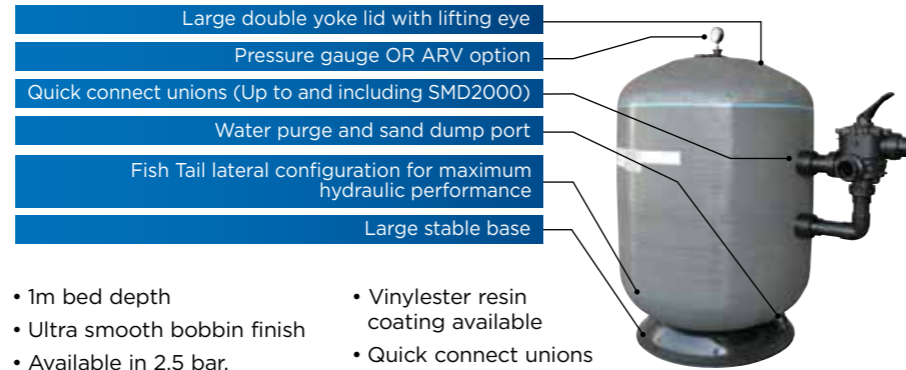
SMD Series (1000mm bed depth)

Proven Strength and Durability



COMMERCIAL SIDEMOUNT DEEP BED FILTERS (SMD)

1000mm filter bed depth ranges from 2.5 up to 10 bar



SMD series, 1m deep bed filters

The effect of deep media bed improves the filtration efficiency over standard High-rate filters by providing enhanced in-depth filtration and increased dirt capacity. In addition, the greater bed depth permits efficient use of mixed bed filter media and water treatment media such as granular activated carbon.

The filter's 1000mm media bed ensures that finer dirt particles and colloidal substances are retained to a far greater level than a filter with a shallower bed depth.

- 1m bed depth
- Ultra smooth bobbin finish
- Available in 2.5 bar, 4 bar, 6 bar, 8 bar and up to 10 bar pressure ratings
- Vinylester resin coating available
- Quick connect unions
- Nozzle plate available upon request

Specifications

Filter Model	Port Size	Bed Depth	Inner Diameter	Filter Area	Velocities and Flows				Media Volume	Sand		ECO PURE Glass		Glass Pearls 0.6-0.8	
					30m³/hr/m²	36m³/hr/m²	40m³/hr/m²	50m³/hr/m²		sub lateral gravel	Sand (above lateral)	sub lateral gravel	ECO PURE Glass (above lateral)	sub lateral gravel	Glass Pearl (above lateral)
	mm	mm	mm	m²	m³/hr				Litres	kgs	kgs	kgs	kgs	kgs	
SMD750	50	1000	750	0.44	13	16	18	22	459	34	636	34	522	34	703
SMD900	50	1000	900	0.64	19	23	25	32	658	42	918	42	755	42	1016
SMD900	65	1000	900	0.64	19	23	25	32	726	154	906	154	745	154	1002
SMD900	80	1000	900	0.64	19	23	25	32	699	114	906	114	745	114	1003
SMD1050	65	1000	1050	0.87	26	31	35	43	973	178	1242	178	1021	178	1374
SMD1050	80	1000	1050	0.87	26	31	35	43	966	178	1232	178	1013	178	1363
SMD1200	65	1000	1200	1.13	34	41	45	#57	1219	155	1625	155	1336	155	1797
SMD1200	80	1000	1200	1.13	34	41	45	57	1178	98	1622	98	1333	98	1794
SMD1200	100	1000	1200	1.13	34	41	45	57	1192	140	1600	140	1315	140	1770
SMD1400	80	1000	1400	1.54	46	55	62	77	1723	311	2204	311	1812	311	2438
SMD1400	100	1000	1400	1.54	46	55	62	77	1637	202	2188	202	1799	202	2420
SMD1600	80	1000	1600	2.01	60	#72	#80	#101	2171	280	2890	280	2376	280	3197
SMD1600	100	1000	1600	2.01	60	72	80	101	2096	189	2871	189	2360	189	3176
SMD1600	150	1000	1600	2.01	60	72	80	101	2123	280	2820	280	2318	280	3120
SMD1800	100	1000	1800	2.54	76	92	102	#127	2880	331	3874	331	3184	331	4285
SMD1800	150	1000	1800	2.54	76	92	102	127	2904	654	3586	654	2947	654	3966
SMD2000	100	1000	2000	3.14	94	#113	#126	#157	3521	647	4493	647	3693	647	4970
SMD2000	150	1000	2000	3.14	94	113	126	157	3490	647	4448	647	3656	647	4921

Exceed recommended maximum flow rates
 * Recommended maximum flow rates for port size: 50mm/63mm(EU), 510 lpm, 30.6m³/hr
 100mm/110mm(EU), 1800 lpm, 108m³/hr
 65mm/75mm(EU), 760 lpm, 45.6m³/hr
 150mm/160mm(EU), 3420 lpm, 205.2m³/hr
 80mm/90mm(EU), 1080 lpm, 64.8m³/hr

SMD Series (1000mm bed depth)

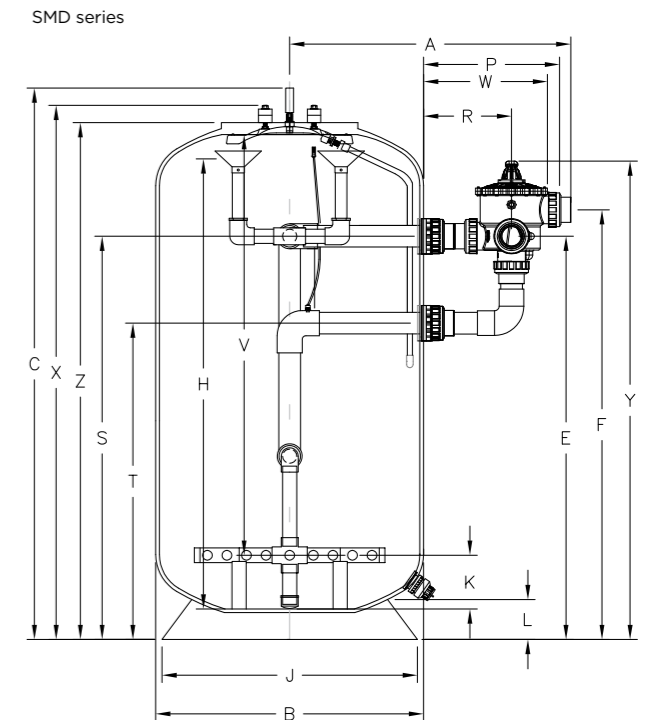
Proven Strength and Durability

Dimension (mm) - SMD series

Model	Port Size	Valve Size	A	B	C	W	R	P	E	F	K	V	H	L	X	Y	Z	J	S	T
SMD750	50	50	613	772	1660	334	262	191	1226	1328	113	1420	1363	120	1585	1485	1560	678	1226	1023
SMD900	50	50	689	923	1762	334	262	191	1274	1376	113	1450	1363	155	1729	1533	1656	735	1274	1071
SMD900	65	65	719	923	1918	389	298	193	1300	1426	223	1580	1473	155	1833	1610	1763	735	1300	1000
SMD900	80	80	824	923	1918	510	363	548	1406	1516	190	1580	1440	155	1833	1788	1763	735	1406	1050
SMD1050	50	50	754	1110	1930	334	262	191	1265	1367	220	1605	1470	176	1845	1524	1775	1045	1265	1062
SMD1050	65	65	796	1110	1930	389	298	193	1044	1170	220	1605	1470	176	1845	1354	1775	1045	1044	744
SMD1050	80	80	918	1110	1930	510	363	548	1100	1210	220	1605	1470	176	1845	1482	1775	1045	1100	744
SMD1200	50	50	830	1229	1935	334	262	191	1285	1387	113	1590	1363	176	1850	1544	1780	1045	1285	1082
SMD1200	65	65	873	1229	1935	389	298	193	1098	1224	190	1590	1440	176	1850	1408	1780	1045	1098	798
SMD1200	80	80	977	1229	1935	510	363	548	1154	1264	150	1590	1400	176	1850	1536	1780	1045	1154	798
SMD1200	100	-	-	1229	1935	943	474	629	760	422	180	1590	1430	176	1850	-	1780	1045	1192	760
SMD1400	80	80	1083	1442	1955	510	363	548	1204	1314	250	1615	1500	218	1870	1586	1800	1202	1204	848
SMD1400	100	-	-	1442	1955	943	474	629	810	472	200	1615	1450	218	1870	-	1800	1202	1242	810
SMD1600	80	80	1184	1644	1994	510	363	548	1151	1261	220	1615	1500	218	1909	1533	1839	1202	1151	795
SMD1600	100	-	-	1644	1994	-	-	-	-	-	180	1615	1430	218	1909	-	1839	1202	1189	757
SMD1600	150	-	-	1644	1994	-	-	-	-	-	220	1615	1470	218	1909	-	1839	1202	1200	717
SMD1800	100	-	-	1839	1985	-	-	-	-	-	225	1710	1475	315	1900	-	1830	1755	1183	751
SMD1800	150	-	-	1839	1985	-	-	-	-	-	320	1710	1570	315	1900	-	1830	1755	1168	685
SMD2000	100	-	-	2042	2063	-	-	-	-	-	300	1765	1550	245	1978	-	1908	1755	1190	758
SMD2000	150	-	-	2042	2063	-	-	-	-	-	300	1765	1550	245	1978	-	1908	1755	1215	732

All figure tolerance 1%
 Subject to alteration in actual production

Model	Filter Shipping Weight (2.5bar)	Shipping Volume
SMD750	58 kg	1.20 m³
SMD900	155 kg	1.80 m³
SMD1050	162 kg	2.13 m³
SMD1200	175 kg	2.80 m³
SMD1400	270 kg	3.99 m³
SMD1600	330 kg	5.28 m³
SMD1800	429 kg	6.67 m³
SMD2000	500 kg	7.86 m³



SMDD Series (1200mm bed depth)

Proven Strength and Durability



SMDD series, 1.2m deep bed Filters

The effect of deep media bed improves the filtration efficiency over standard High-rate filters by providing enhanced in-depth filtration and increased dirt capacity. In addition, the greater bed depth permits efficient use of mixed bed filter media and water treatment media such as granular activated carbon.

The filter's 1200mm media bed ensures that finer dirt particles and colloidal substances are retained to a far greater level than a filter with a shallower bed depth.

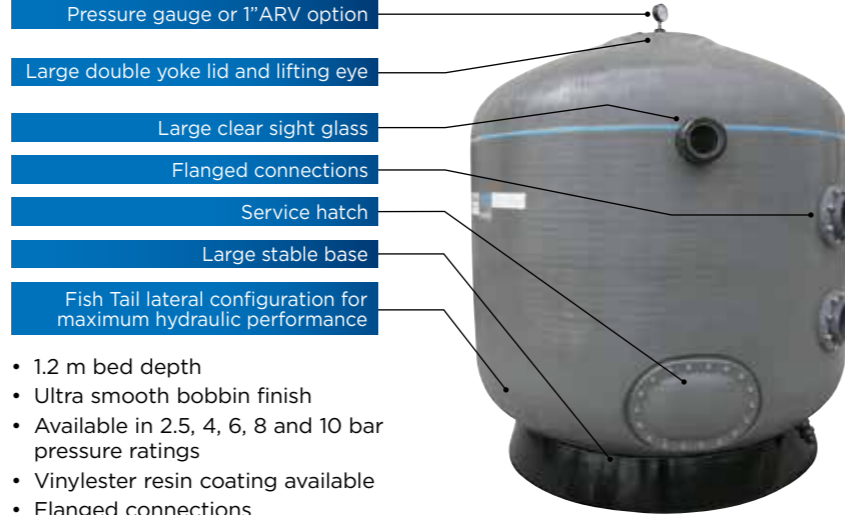


SMDD series 1200mm bed depth

COMMERCIAL SIDE MOUNT DEEP BED FILTERS (SMDD)

1200mm filter bed depth ranges from 2.5 to 10 bar

Micron Side Mount Deep Bed Sand Filter - SMDD Model



- 1.2 m bed depth
- Ultra smooth bobbin finish
- Available in 2.5, 4, 6, 8 and 10 bar pressure ratings
- Vinylester resin coating available
- Flanged connections
- Nozzle plate version (SPDD)

Specifications

Filter Model	Port Size	Bed Depth	Inner Diameter	Filter Area	Velocities and Flows				Media Volume	Sand		ECO-PURE Glass		Glass Pearls 0.6-0.8	
					30m ³ /hr/m ²		40m ³ /hr/m ²			kgs		kgs		kgs	
					m ³ /hr	m ³ /hr	sub lateral gravel	Sand (above lateral)		sub lateral gravel	ECO-PURE Glass (above lateral)	sub lateral gravel	Glass Pearl (above lateral)		
SMDD750	50	1200	750	0.44	13	16	18	22	545	34	761	34	625	34	841
SMDD900	50	1200	900	0.64	19	23	25	#32	784	42	1103	42	907	42	1220
SMDD900	65	1200	900	0.64	19	23	25	32	784	154	991	154	814	154	1096
SMDD900	80	1200	900	0.64	19	23	25	32	822	114	1086	114	893	114	1202
SMDD1050	65	1200	1050	0.87	26	31	35	43	1144	178	1492	178	1226	178	1650
SMDD1050	80	1200	1050	0.87	26	31	35	43	1140	178	1487	178	1222	178	1645
SMDD1200	65	1200	1200	1.13	34	41	45	#57	1442	155	1950	155	1603	155	2157
SMDD1200	80	1200	1200	1.13	34	41	45	57	1401	98	1947	98	1600	98	2154
SMDD1200	100	1200	1200	1.13	34	41	45	57	1414	140	1925	140	1582	140	2130
SMDD1400	80	1200	1400	1.54	46	55	62	77	2031	311	2654	311	2182	311	2936
SMDD1400	100	1200	1400	1.54	46	55	62	77	1945	202	2638	202	2168	202	2918
SMDD1600	80	1200	1600	2.01	60	#72	#80	#101	2548	244	3476	244	2857	244	3845
SMDD1600	100	1200	1600	2.01	60	72	80	101	2524	232	3453	232	2838	232	3819
SMDD1600	150	1200	1600	2.01	60	72	80	101	2575	280	3480	280	2861	280	3850
SMDD1800	100	1200	1800	2.54	76	92	102	#127	3192	289	4371	289	3592	289	4835
SMDD1800	150	1200	1800	2.54	76	92	102	127	3408	654	4321	654	3551	654	4779
SMDD2000	100	1200	2000	3.14	94	#113	#126	#157	4147	647	5408	647	4445	647	5982
SMDD2000	150	1200	2000	3.14	94	113	126	157	4171	733	5357	733	4403	733	5926
SMDD2200	150	1200	2200	3.80	114	137	152	190	5223	1130	6495	1130	5338	1130	7184
SMDD2350	150	1200	2350	4.34	130	156	173	#217	5808	1064	7416	1064	6096	1064	8204
SMDD2500	150	1200	2500	4.91	147	177	196	#255	6538	1136	8409	1136	6912	1136	9302
SMDD3000	200	1200	3000	7.07	212	254	283	353	9589	2326	11674	2326	9595	2326	12914

Exceed recommended maximum flow rates

* Recommended maximum flow rates for port size:
 50mm/63mm(EU), 510 lpm, 30.6m³/hr
 65mm/75mm(EU), 760 lpm, 45.6m³/hr
 80mm/90mm(EU), 1080 lpm, 64.8m³/hr
 100mm/110mm(EU), 1800 lpm, 108m³/hr
 150mm/160mm(EU), 3420 lpm, 205.2m³/hr
 200mm/200mm(EU), 6720 lpm, 403.2m³/hr

SMDD Series (1200mm bed depth)

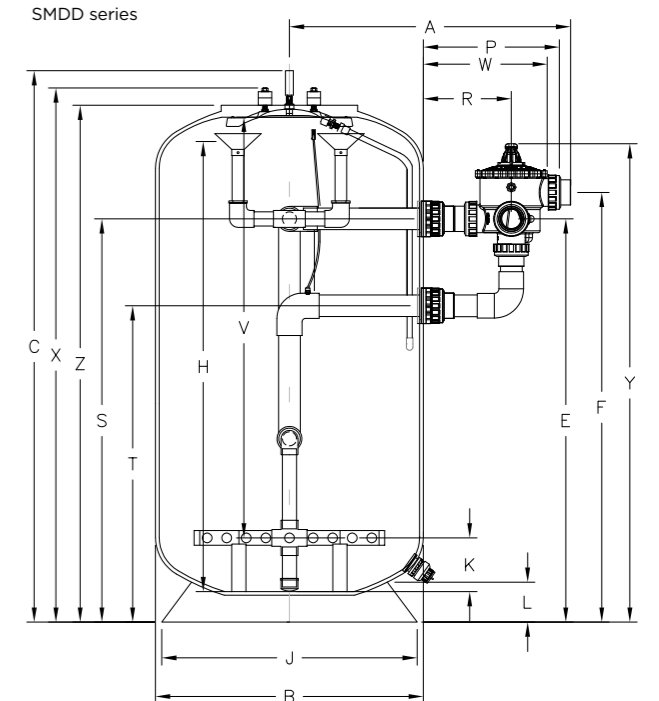
Proven Strength and Durability

Dimension (mm) - SMDD Series

Model	Port Size	Valve Size	A	B	C	W	R	P	E	F	K	V	H	L	X	Y	Z	J	S	T
SMDD750	50	50	613	772	2112	334	262	191	1586	1688	113	1775	1713	120	2027	1845	1918	678	1586	1383
SMDD900	50	50	689	923	2268	334	262	191	1619	1721	113	1795	1713	155	2183	1878	2113	735	1619	1416
SMDD900	65	65	719	923	2268	389	298	193	1624	1750	223	1930	1823	155	2183	1934	2113	735	1624	1324
SMDD900	80	80	824	923	2268	510	363	548	1680	1790	190	1930	1780	155	2183	2062	2113	735	1680	1324
SMDD1050	50	50	766	1110	2270	334	262	191	1600	1702	220	1950	1820	176	2185	1859	2115	1045	1600	1397
SMDD1050	65	65	796	1110	2270	389	298	193	1594	1720	220	1950	1820	176	2185	1904	2115	1045	1594	1294
SMDD1050	80	80	918	1110	2270	510	363	548	1650	1760	220	1950	1820	176	2185	2032	2115	1045	1650	1294
SMDD1200	50	50	842	1229	2243	334	262	191	1512	1614	113	1900	1713	176	2158	1771	2088	1045	1512	1309
SMDD1200	65	65	873	1229	2243	389	298	193	1609	1735	190	1900	1790	176	2158	1919	2088	1045	1609	1309
SMDD1200	80	80	977	1229	2243	510	363	548	1665	1775	150	1900	1750	176	2158	2047	2088	1045	1665	1309
SMDD1200	100	-	-	1229	2243	-	-	-	-	-	180	1900	1780	176	2158	-	2088	1045	1315	883
SMDD1400	80	80	1083	1442	2313	510	363	548	1618	1728	250	1970	1850	218	2228	2000	2158	1202	1618	1262
SMDD1400	100	-	-	1442	2313	-	-	-	-	-	200	1970	1800	218	2228	-	2158	1202	1330	898
SMDD1600	80	80	1184	1644	2285	510	363	548	1330	1492.7	205	1950	1805	218	2200	1765	2130	1202	1383	1027
SMDD1600	100	-	-	1644	2285	-	-	-	-	-	200	1950	1800	218	2200	-	2130	1202	1421	989
SMDD1600	150	-	-	1644	2285	-	-	-	-	-	220	1950	1820	218	2200	-	2130	1202	1383	900
SMDD1800	100	-	-	1839	2260	-	-	-	-	-	210	2010	1810	315	2175	-	2105	1755	1298	866
SMDD1800	150	-	-	1839	2260	-	-	-	-	-	320	2010	1920	315	2175	-	2105	1755	1383	900
SMDD2000	100	-	-	2042	2398	-	-	-	-	-	300	2100	1900	245	2313	-	2243	1755	1310	878
SMDD2000	150	-	-	2042	2398	-	-	-	-	-	320	2100	1920	245	2313	-	2243	1755	1310	827
SMDD2200	150	-	-	2245	2415	-	-	-	-	-	380	2090	1980	245	2330	-	2260	1755	1386	903
SMDD2350	150	-	-	2390	2485	-	-	-	-	-	355	2118	1955	340	2330	-	2330	2037	1500	1017
SMDD2500	150	-	-	2575	2510	-	-	-	-	-	355	2190	1955	340	2405	-	2405	2037	1494	1011
SMDD3000	200	-	-	3045	2890	-	-	-	-	-	465	2490	2065	417	2785	-	2785	2660	1688	1205

All figure tolerance 1%
Subject to modification

Model	Filter Shipping Weight (2.5bar)	Shipping Volume
SMDD750	66 kg	1.14 m ³
SMDD900	172 kg	2.06 m ³
SMDD1050	181 kg	2.97 m ³
SMDD1200	223 kg	3.48 m ³
SMDD1400	275 kg	5.32 m ³
SMDD1600	352 kg	6.93 m ³
SMDD1800	377 kg	7.64 m ³
SMDD2000	590 kg	10.2 m ³
SMDD2200	800 kg	12.41 m ³
SMDD2350	916 kg	13.82 m ³
SMDD2500	1033 kg	16.64 m ³



SPDD Nozzle Plate Filters

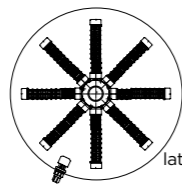
(1200mm bed depth and AS4020 option)



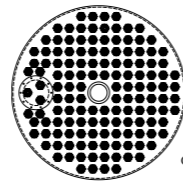
MICRON NOZZLE PLATE SIDE MOUNT DEEP BED FILTERS

1200mm filter bed depth ranges from 2.5 to 10 bar

The nozzle plate system also allows the introduction of pressurised air directly into the bottom of the filter media. Uniform introduction of air and water through the nozzle plate provides vigorous agitation and filter media bed expansion required for an effective air/water backwash leading to reduced backwashing times and reduced volumes of water. Save up to 25% of backwash water.



Conventional lateral configuration



Nozzle plate configuration

Specifications

Filter Model	Port Size	Bed Depth	Inner Diameter	Filter Area	Velocities and Flows				Media Volume	Sand	ECO PURE Glass	Glass Pearls 0.6-0.8				
					30m ³ /hr/m ²	36m ³ /hr/m ²	40m ³ /hr/m ²	50m ³ /hr/m ²					Litres	kgs	kgs	kgs
					m ³ /hr		m ³ /hr									
SPDD900	80	1200	900	0.64	19	23	25	32	750	1095	900	1211				
SPDD1050	80	1200	1050	0.87	26	31	35	43	1017	1485	1221	1463				
SPDD1200	80	1200	1200	1.13	34	41	45	57	1322	1930	1586	2135				
SPDD1200	100	1200	1200	1.13	34	41	45	57	1322	1930	1586	2135				
SPDD1400	80	1200	1400	1.54	46	55	62	#77	1808	2640	2170	2920				
SPDD1400	100	1200	1400	1.54	46	55	62	77	1808	2640	2170	2920				
SPDD1600	80	1200	1600	2.01	60	#72	#80	#101	2380	3475	2856	3844				
SPDD1600	100	1200	1600	2.01	60	72	80	101	2366	3455	2840	3822				
SPDD1800	100	1200	1800	2.54	76	92	102	#127	2993	4370	3592	4834				
SPDD1800	150	1200	1800	2.54	76	92	102	127	2966	4330	3559	4790				
SPDD2000	100	1200	2000	3.14	94	#113	#126	#157	3705	5410	4447	5984				
SPDD2000	150	1200	2000	3.14	94	113	126	157	3671	5360	4405	5929				
SPDD2200	150	1200	2200	3.80	114	137	152	190	4473	6530	5367	7223				
SPDD2350	150	1200	2350	4.34	130	156	174	#217	5089	7430	6107	8219				
SPDD2500	150	1200	2500	4.91	147	177	196	#245	5760	8410	6912	9303				
SPDD3000	200	1200	3000	7.07	212	255	283	353	7997	11675	9596	12914				
SPDD3000	250	1200	3000	7.07	212	255	283	353	8010	11695	9612	12937				

Exceed recommended maximum flow rates
 * Recommended maximum flow rates for port size:
 50mm/63mm(EU), 510 lpm, 30.6m³/hr
 65mm/75mm(EU), 760 lpm, 45.6m³/hr
 80mm/90mm(EU), 1080 lpm, 64.8m³/hr
 100mm/110mm(EU), 1800 lpm, 108m³/hr
 150mm/160mm(EU), 3420 lpm, 205.2m³/hr
 200mm/200mm(EU), 6720 lpm, 403.2m³/hr
 250mm/280mm(EU), 8930 lpm, 535.8m³/hr



Nozzle Plate under drain system



Internal Nozzle Plate Service Hatch

SPDD Nozzle Plate Filters

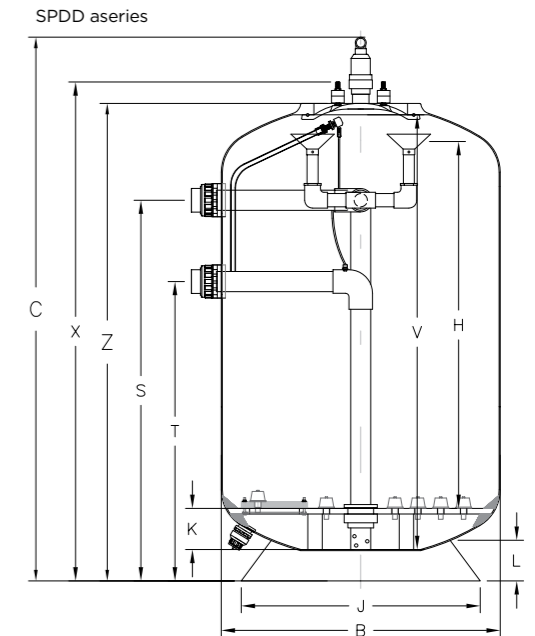
(1200mm bed depth and AS4020 option)

Dimension (mm) - SPDD series

Model	Port Size	B	C	K	V	H	L	X	Z	J	S	T
SPDD900	80	923	2368	190	1930	1780	155	2183	2113	735	1680	1324
SPDD1050	80	1110	2370	220	1950	1820	176	2185	2115	1045	1650	1294
SPDD1200	80	1229	2343	180	1900	1750	176	2158	2088	1045	1665	1309
SPDD1200	100	1229	2343	180	1900	1780	176	2158	2088	1045	1315	883
SPDD1400	80	1442	2413	200	1970	1860	218	2228	2158	1202	1618	1262
SPDD1400	100	1442	2413	200	1975	1800	218	2228	2158	1202	1330	898
SPDD1600	80	1644	2385	205	1950	1805	218	2200	2130	1202	1383	1027
SPDD1600	100	1644	2385	200	1950	1800	218	2200	2130	1202	1421	989
SPDD1800	100	1839	2360	210	2010	1810	315	2175	2105	1755	1298	866
SPDD1800	150	1839	2360	320	2010	1920	315	2175	2105	1755	1383	900
SPDD2000	100	2042	2498	300	2100	1900	245	2313	2243	1755	1310	878
SPDD2000	150	2042	2498	320	2100	1920	245	2313	2243	1755	1310	827
SPDD2200	150	2245	2500	355	2090	1946	245	2315	2245	1755	1386	903
SPDD2350	150	2390	2585	355	2118	1955	340	2330	2330	2037	1500	1017
SPDD2500	150	2575	2660	355	2190	1955	340	2405	2405	2037	1494	1011
SPDD3000	200	3040	3061	465	2495	2065	419	2871	2760	2660	1746	1146
SPDD3000	250	3040	3061	504	2495	2091	419	2871	2760	2660	1746	1210

All figure tolerance 1%
 Subject to modification

Model	Filter Shipping Weight (2.5bar)	Shipping Volume
SPDD1050	199 kg	2.94 m ³
SPDD1200	245 kg	3.70 m ³
SPDD1400	303 kg	5.27 m ³
SPDD1600	387 kg	6.87 m ³
SPDD1800	415 kg	7.57 m ³
SPDD2000	649 kg	10.0 m ³
SPDD2350	1008 kg	13.91 m ³



Micron Horizontal Filters

Designed and built for high performance and reliability



MICRON COMMERCIAL HORIZONTAL FILAMENT WOUND FILTERS

ranges from 2.5 to 10 bar (10 bar not available in all models)

Micron Horizontal vessels are also available with a nozzle plate. The nozzle plate provides even distribution of air scouring and backwashing.

For the ultimate filtration solution of large filter bed area and effective backwashing, Micron Horizontal Nozzle Plate vessels are the perfect choice.

Micron Horizontal's lateral system reduces backwash run times, saves water and produces flatter more uniform filter media bed after backwashing.

Micron Horizontal Filters

The Micron Horizontal Filter is a space-saving high performer; its compact horizontal design allows installation with minimum waste of space. The shape of the Micron horizontal filter is both attractive and functional. The spherical ends are designed to give uniform flow from both inlet and outlet collection assemblies. Micron Horizontal filters are available with a 500mm (M) filter media bed and a 1200mm (MD) filter media bed.

Micron Horizontal filters include hydraulically efficient distribution manifolds, ensuring balanced circulation and filtration.

- 1 Elliptical positive sealing manways.
- 2 Flanged port of up to 10".
- 3 Hydraulically balanced distribution and lateral system.
- 4 Fibreglass wound tank, UV and corrosion resistant.
- 5 Large stable filter base for stable floor mounting.
- 6 Manual drain.



Micron Horizontal Filters

Designed and built for high performance and reliability



Specifications - Micron Horizontal Filters - M Series

Filter Model	Port Size	Bed Depth	Inner Diameter	Filter Area	Velocities and Flows				Media Volume	Sand		ECOPURE Glass		Glass Pearls 0.6-0.8	
					30m ³ /hr/m ²	36m ³ /hr/m ²	40m ³ /hr/m ²	50m ³ /hr/m ²		kgs		kgs		kgs	
	mm	mm	mm	m ²	m ³ /hr		m ³ /hr		Litres	sub lateral gravel	Sand (above lateral)	sub lateral gravel	ECO-PURE Glass (above lateral)	sub lateral gravel	Glass Pearl (above lateral)
M2500	100	500	1260	2.50	75	90	100	#125	1452	435	1685	435	1385	435	1864
M3750	150	500	1260	3.75	113	135	150	188	2370	691	2769	691	2276	691	3063
M5000	150	500	1260	5.00	150	180	200	#259	3192	1064	3596	1064	2955	1064	3977

Exceed recommended maximum flow rates

* Recommended maximum flow rates for port size: 100mm/110mm(EU), 1800 lpm, 108m³/hr
150mm/160mm(EU), 3420 lpm, 205.2m³/hr

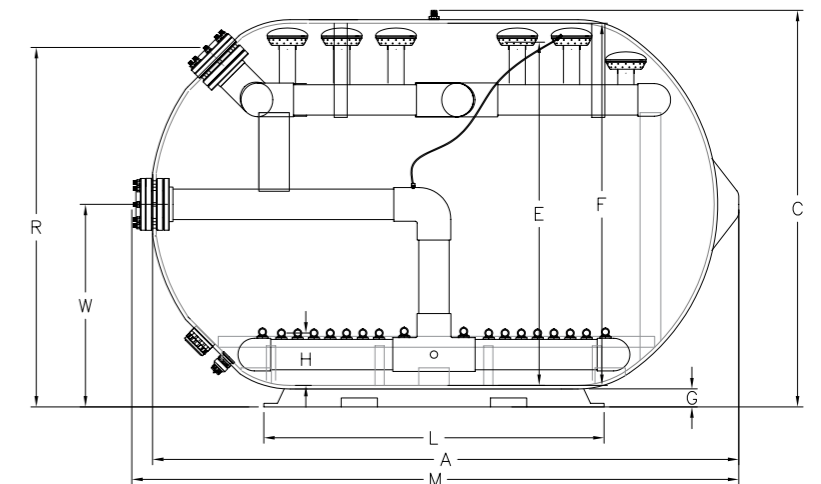
Model	Filter Shipping Weight (2.5bar)	Shipping Volume
M2500	170 kg	4.6 m ³
M3750	270 kg	6.5 m ³
M5000	410 kg	9.2m ³

Dimension (mm) - M Series

Model	Port Size	A	C	W	R	L	E	F	G	H	M
M2500	100	2245	1620	740	1300	1400	1005	1260	150	255	2327
M3750	100	3230	1620	740	1300	2520	1005	1260	150	255	3312
M3750	150	3230	1620	740	1300	2520	945	1260	150	275	3312
M5000	150	4220	1620	740	1300	3570	945	1260	150	275	4301

All figure tolerance 1%
Subject to modification

Horizontal deep bed filter - M & MD series

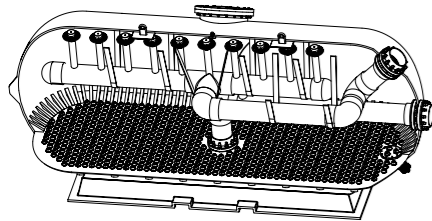


Micron Horizontal Filters

Designed and built for high performance and reliability



Model	Filter Shipping Weight (2.5bar)	Shipping Volume
MD5000	879 kg	11.7 m ³
MD5500	590 kg	17.0 m ³
MD6500	1110 kg	18.3 m ³
MD8000	1450 kg	22.0 m ³
MD10000	2110 kg	26.7 m ³



Waterco manufactures horizontal nozzle plate filters with up to 10m² filter area and 1,200mm filter media bed depth - the largest fibreglass filter to receive AS/NZS 4020:2005 certification from the Australian Water Quality Centre.

Specifications - Micron Horizontal Deep Bed Filters - MD Series

Filter Model	Port Size	Bed Depth	Inner Diameter	Filter Area	Velocities and Flows				Media Volume	Sand		ECO-PURE Glass		Glass Pearls 0.6-0.8	
					30m ³ /hr/m ²	36m ³ /hr/m ²	40m ³ /hr/m ²	50m ³ /hr/m ²		Litres	kgs	kgs	kgs	kgs	
					m ³ /hr		m ³ /hr								sub lateral gravel
MD5000	150	1200	2000	5.0	150	180	200	#250	5788	774	7676	774	6309	774	8491
MD5500	150	1200	2000	5.5	165	198	#220	#275	6356	847	8433	847	6931	847	9329
MD6500	200	1200	2000	6.5	195	234	260	325	7548	1066	9954	1066	8182	1066	11011
MD8000	200	1200	2000	8.0	240	288	320	400	9795	1402	12898	1402	10601	1402	14628
MD10000	250	1200	2000	10.0	300	360	400	500	12116	1964	15726	1964	12926	1964	17396

Exceed recommended maximum flow rates
 * Recommended maximum flow rates for port size: 150mm/160mm(EU), 3420 lpm, 205.2m³/hr
 200mm/200mm(EU), 6720 lpm, 403.2m³/hr
 250mm/280mm(EU), 8930 lpm, 535.8m³/hr

*design backwash velocity

Dimension (mm) - MD Series

Model	Port Size	A	C	W	R	L	E	F	G	H	M
MD5000	150	2920	2190	1120	1988	1630	1889	2000	230	289	3026
MD5500	150	3252	2190	1120	1988	1880	1889	2000	230	289	3330
MD6500	200	3765	2190	1120	2020	2405	1890	2000	230	290	3890
MD8000	200	4516	2190	1120	2020	3155	1890	2000	230	290	4640
MD10000	250	5500	2190	1150	2050	4055	1890	2000	230	330	5650

All figure tolerance 1%
 Subject to modification

Specifications - Micron Horizontal Deep Bed - MPD Series

Filter Model	Port Size	Bed Depth	Inner Diameter	Filter Area	Velocities and Flows				Media Volume	Sand	ECO-PURE Glass	Glass Pearls 0.6-0.8				
					30m ³ /hr/m ²	36m ³ /hr/m ²	40m ³ /hr/m ²	50m ³ /hr/m ²					Litres	kgs	kgs	kgs
					m ³ /hr		m ³ /hr									
MPD6500	200	1200	2000	6.50	195	234	260	325	7055	10300	8466	11393				
MPD8000	200	1200	2000	8.00	240	288	320	400	8699	12700	10438	14048				
MPD10000	250	1200	2000	10.00	300	360	400	500	10959	16000	13151	17699				

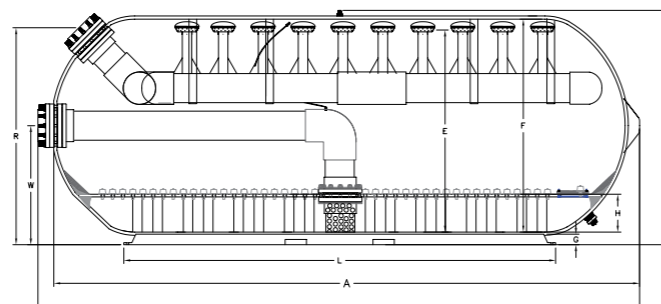
* Recommended maximum flow rates for port size: 200mm/200mm(EU), 6720 lpm, 403.2m³/hr
 250mm/280mm(EU), 8930 lpm, 535.8m³/hr

Dimension (mm) - MPD Series

Model	Port Size	A	C	W	R	L	E	F	G	H	M
MPD6500	200	3765	2190	1120	2020	2405	1890	2000	230	286	3890
MPD8000	200	4516	2190	1120	2020	3155	1890	2000	230	330	4640
MPD10000	250	5500	2190	1150	2050	4055	1890	2000	230	330	5650

All figure tolerance 1%
 Subject to modification

Horizontal deep bed filter - MPD series



Optional Extras

Proven Strength and Durability



Micron Side Mount Deep Bed Optional Extras

Waterco Micron Side Mount Deep Bed Commercial filters are now available with the option of:

1. 50mm, 80mm, 100mm or 150mm sight glasses.
2. 200mm, 320mm to 420mm x 320mm lateral manholes.
3. Fibreglass reinforced vinyl ester for improved resistance.
4. Extra reinforcement to increase the working pressure rating to 600 kPa (87psi) and 800 kPa (116 psi).



COMMERCIAL FIBREGLASS: OPTIONAL EXTRAS

Product Description

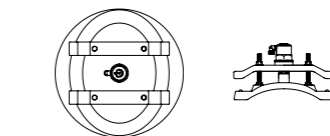
- Sight Glass 50mm applicable to SMD/SMDD400 to 2500
- Sight Glass 80mm applicable to SMD/SMDD900 to 2500
- Sight Glass 100mm applicable to SMD/SMDD1050 to 2500
- Lateral Manhole 420mm x 320mm applicable to SMD/SMDD/SPDD1200 and above; and MD
- Lateral Manhole 320mm dia applicable to SMD/SMDD/SPDD1050 and above; and M/MD1200 to 2500
- Lateral Manhole 200mm applicable to SMD/SMDD 600 and above; and M/MD
- Top Manhole 600mm available SMDD/SPDD1200 diameter and above, and MD/MPD8000 and MD/MPD10000

AS1210 (BSEN13121) construction standard AS4020 drinking water standard (SPDD and MPD series only) Vinyl Ester lining

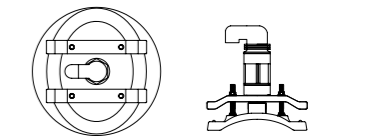
Side hatch / Lateral manhole cover	Sight Glass
Opening size	50mm
420x320mm	80mm
ø320mm	100mm
320x200mm	150mm
ø200mm	Top manhole 600mm with 2" ARV
ø200mm 6bar	

Additional custom ports available

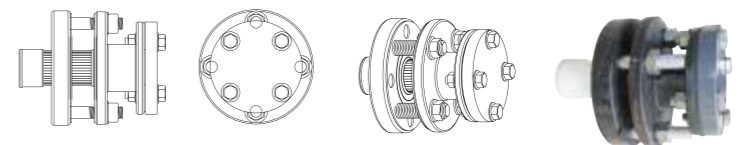
Manhole cover with 1" ARV



Manhole cover with 2" ARV



Flange Drain 1.5" and 2"



DUAL PRESSURE GAUGE PANEL

Part Number	Product Description
6216442	Dual Pressure Gauge Panel Pewter suitable up to 4 bar only

Waterco's Dual Pressure Gauge Panel is an extremely versatile pressure measurement and test instrument. It can simultaneously display the output of two pressure gauges, so that you can accurately monitor the filter's pressure drop.

Commercial Accessories



COMPLETE ACCESSORIES INSTALLATION KIT

Part Number	Product Description	Nominal Size
	For commercial side mount filters (3"/4"/6")	
2292203140	3" (80mm) Pipework/Valve Array Complete Installation Kit - 14" (356mm) Port Distance	3"
2292204170	4" (100mm) Pipework/Valve Array Complete Installation Kit - 17" (432mm) Port Distance	4"
2292206190	6" (150mm) Pipework/Valve Array Complete Installation Kit - 19" (483mm) Port Distance	6"
12161507	6" (150mm) AS/NZ Flange Adapter Kits - 19" (483mm) Port Distance	6"

Includes;

- valves, fittings, pipe sections cut to size
- pipe support stand kit (2*1800mm)
- backwash pipe
- dual pressure gauge

NOTE: ANSI pipe/flange type
 3" (80mm) and 4" 100mm fit AS/NZ pipe
 For 6" AS/NZ pipe connections 12161507 is also required

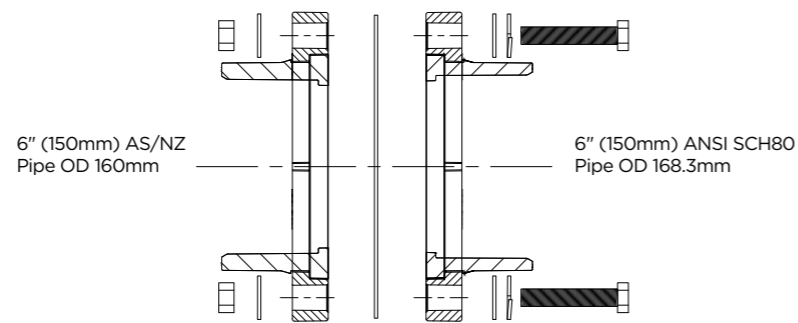
*Filter not included



PIPEWORK/VALVE ARRAY WITH PIPE SUPPORT STAND

Part Number	Product Description	Nominal Size
	For commercial side mount filters (3"/4"/6")	
229220314	3" (80mm) Single Filter 5 Valve Battery Clamp Kits - 14" (356mm) Port Distance	3"
229220417	4" (100mm) Single Filter 5 Valve Battery Clamp Kits - 17" (432mm) Port Distance	4"
229220619	6" (150mm) Single Filter 5 Valve Battery Clamp Kits - 19" (483mm) Port Distance	6"
12161507	6" (150mm) AS/NZ Flange Adapter Kits - 19" (483mm) Port Distance	6"

NOTE: ANSI pipe/flange type
 3" (80mm) and 4" 100mm fit AS/NZ pipe
 For 6" AS/NZ pipe connections 12161507 is also required



12161507 - 6" ANSI to 6" AS/NZ flange adapter kit

Commercial Accessories



PIPE SUPPORT STANDS FOR VALVE ARRAY

Part Number	Product Description	Nominal Size
	(Adjustable Pipe Stand Support, 3"/4"/6", 1100mm, & 1800 Version Of Each)	
622507	Adjustable Pipe Stand Support With Single Clamp 3" (80mm) X 1100mm H	3"
622464	Adjustable Pipe Stand Support With Single Clamp 4" (100mm) X 1100mm H	4"
622465	Adjustable Pipe Stand Support With Single Clamp 6" (150mm) X 1100mm H	6"
622508	Adjustable Pipe Stand Support With Double Clamp 3" (80mm) X 1800mm H	3"
622466	Adjustable Pipe Stand Support With Double Clamp 4" (100mm) X 1800mm H	4"
622467	Adjustable Pipe Stand Support With Double Clamp 6" (150mm) X 1800mm H	6"

Powder coated steel construction, c/w welded and pre-drilled base plate



BACKWASH SIGHT GLASS

Part Number	Product Description	Nominal Size
	(Dual Flange Clear Backwash Pipe 3"/4"/6")	
12160759	3" (80mm) Dual Flange Clear Backwash Pipe	3"
12161009	4" (100mm) Dual Flange Clear Backwash Pipe	4"
12161509	6" (150mm) Dual Flange Clear Backwash Pipe	6"

NOTE: ANSI pipe/flange type
 3" (80mm) and 4" 100mm fit AS/NZ pipe
 For 6" AS/NZ pipe connections 12161507 is also required



DUAL PRESSURE GAUGE PANEL

Part Number	Product Description
6216442	Dual Pressure Gauge Panel Pewter suitable up to 4 bar only suitable up to 4 bar max rated filters

Waterco's Dual Pressure Gauge Panel is an extremely versatile pressure measurement and test instrument. It can simultaneously display the output of two pressure gauges, so that you can accurately monitor the filter's pressure drop.

SMIX Series

Ion Exchange Media Vessel



SMIX

Part Number	Product Description
225112004472	SMIX Ion Exchange Media Vessel 1200mm x 4m (4bar)
225112006472	SMIX Ion Exchange Media Vessel 1200mm x 4m (6bar)

Technical Specifications

Specification	Dimensions
Overall dimension (mm)	L1300 X W1400 X H3800
Shipping dimension (mm)	L3900 X W1500 X H1400
Weights	4 bar = 750kg 4 bar BSEN13121 = 1320kg, 6 bar = 930kg 6 bar BSEN13121 = 1650kg
Max Working pressure (kPa)	4 bar = 400kPa, 6 bar = 600kPa
Inlet port	4"ANSI (3"ANSI regen inlet)
Outlet port	4"ANSI
Underdrain / Collector	Nozzle plate (0.25mm slots)
Distance from Nozzle Plate to Regen Distributor	1515mm
Distance from Regen Distributor to Top Funnel	1200mm
Top Manhole	410 x 305mm Oval
Drain	40mm

Key Features



Optional:

media regeneration ring with stand-alone flange connection	-
Sight glass	200mm round

Hydron Split Tanks

4 Bar only



Designed for water treatment and commercial swimming pool facilities, built using the lasts in gel coated fibreglass technology.

- Durable
- Easy to maintain
- Flanged tank port connections
- Perfect for retrofit
- Easy transport
- Flexible configurations available
- Sight glass available



HYDRON SPLIT TANKS

Part Number	Product Description	Nominal Size
	Filter only	
223912008014	Hydron Split Filter 1200h 3"FL LCN	48"
223914008014	Hydron Split Filter 1400h 4"FL LCN	56"
223916008014	Hydron Split Filter 1600h 4"FL LCN	64"
223918008014	Hydron Split Filter 1800h 6"FL LCN	72"

Ideal for retrofitting

Hydron Split tank can be delivered in two parts and assembled on site in the plant room. The two halves seal perfectly using a double o ring and are held together by a flange using bolts and nuts. The filter is specifically designed to fit through existing standard size plant room doors.

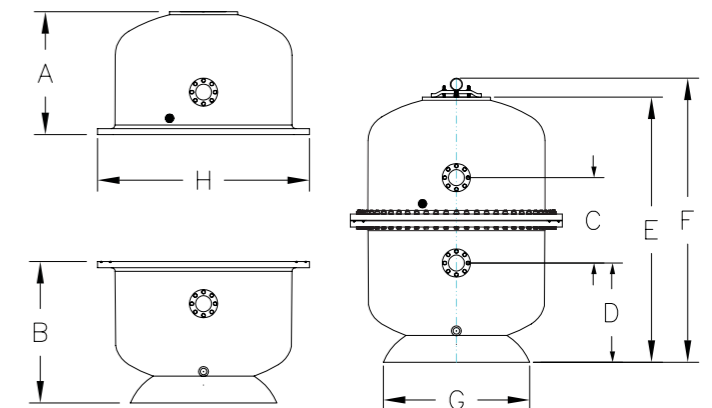
Technical Specifications

Filter Model	Port Size	Bed Depth	Inner Diameter	Filter Area	Velocities and Flows				Media Volume	Sand		ECO-PURE Glass		Glass Pearls 0.6-0.8	
					30m ³ /hr/m ²	36m ³ /hr/m ²	40m ³ /hr/m ²	50m ³ /hr/m ²		kgs		kgs		kgs	
	mm	mm	mm	m ²	m ³ /hr		m ³ /hr		Litres	sub lateral gravel	Sand (above lateral)	sub lateral gravel	ECO-PURE Glass (above lateral)	sub lateral gravel	Glass Pearl (above lateral)
SMDT 1200	80	1200	1200	1.13	34	41	45	57	1401	98	1947	98	1600	98	2154
SMDT 1400	100	1200	1400	1.54	46	55	62	77	1945	202	2638	202	2168	202	2918
SMDT 1600	100	1200	1600	2.01	60	72	80	101	2524	232	3453	232	2838	232	3819
SMDT 1800	150	1200	1800	2.54	76	92	102	127	3408	654	4321	654	3551	654	4779

*design backwash velocity for sand or glass media

Dimensions (mm)

Model	A	B	C	D	E	F	G	H
SMDT 1200	1010	1095	700	749	2088	2245	1045	1521
SMDT 1400	1008	1165	700	814	2170	2330	1200	1737
SMDT 1600	995	1130	700	829	2130	2285	1200	1943
SMDT 1800	1105	1100	700	789	2188	2355	1760	2105



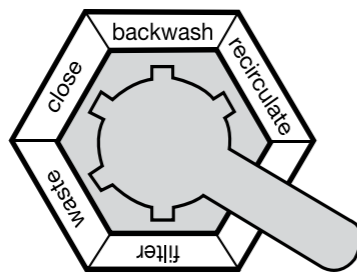
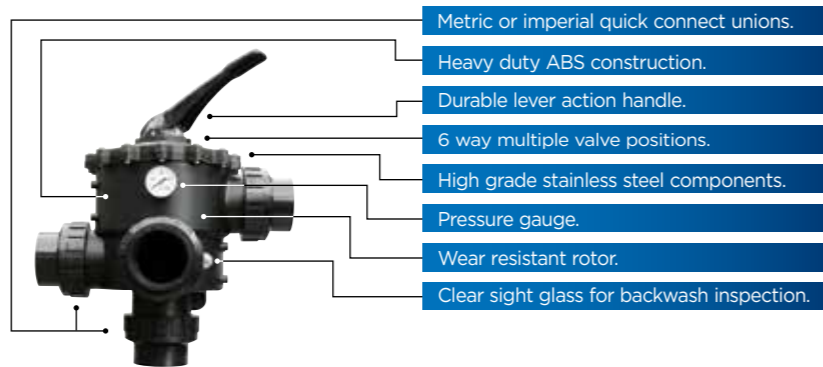
Multiport Valves

Heavy duty construction



MPV KITS FOR MICRON SAND FILTERS

Part Number	Product Description	
2280422	TM40mm MPV Clamp w BU	Thermoplastic T400 - T600 Clamp Type
228042	TM40mm MPV c/w BU	Micron S500 - S700
2280441	TM40mm MPV c/w BU (6way 4bar)	Micron S500 - S700
228053	TM50mm MPV c/w BU	Micron S702 - S1200 Micron SD750, SD900
2280600	TM65mm MPV w B Union	Micron S1050 w 12" neck
228800	TM80	TM 80mm MPV c/w B Union 16" neck
2290421	SM40mm MPV	Micron SM400 - SM600 8" neck w 40mm Micron SMDD600 8" neck w 40mm
2290491	SM40mm MK2 MPV c/w P.Kit	Micron SM600 8" neck w 50mm
2390495	DE SM40mm MPV c/w P.Kit	Astra DE P2027
22905120	SM50mm MPV c/w P.Kit	Micron SM700 - SM900 8" neck w 50mm Micron SMDD750 - SMDD900 8" neck w 50mm Micron SMDD1050 w 50mm connection
23905832	DE SM50mm MPV c/w P.Kit	Astra DE P2036, P2048
22905010	SM/SMD/SMDD 65mm MPV c/w P.Kit	Micron SM1050 65mm w 12" neck Micron SM1200 65mm w 12" neck
2290820	SM80mm MPV c/w P.Kit	Micron SM1050 - SM1600 w 80mm Micron SMDD900 - SMDD1400 w 80mm
2291005	SM100mm MPV c/w P.Kit	Micron SM1600 - SM2000



Multiport Valve Main Functions

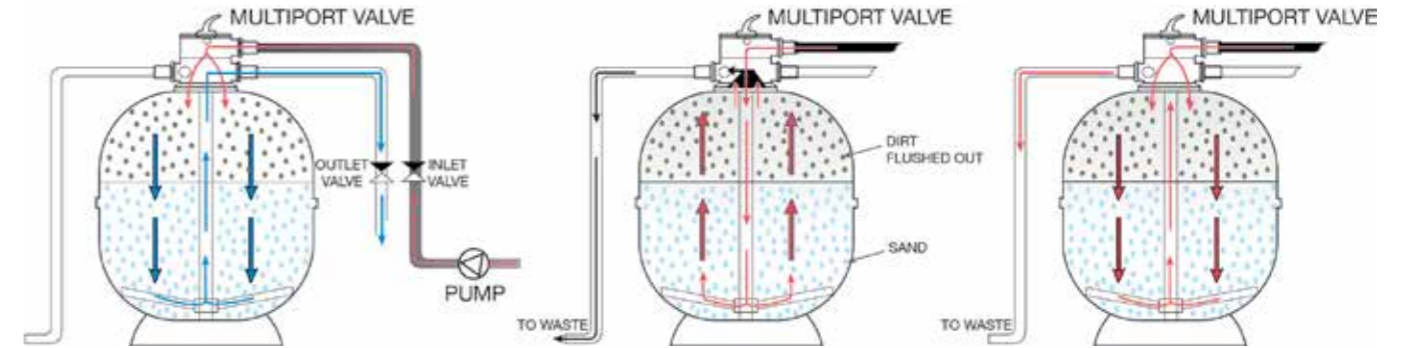
- Filter** - downward flow through the filter bed to outlet
- Backwash** - upward flow through the filter bed to waste
- Rinse** - downward flow through the filter bed to waste
- Waste** - bypass the filter bed to waste
- Re-circulate** - bypass the filter bed to outlet
- Closed** - no flow to the filter

Warranty
Waterco Multiport valves are covered by 1 year warranty.

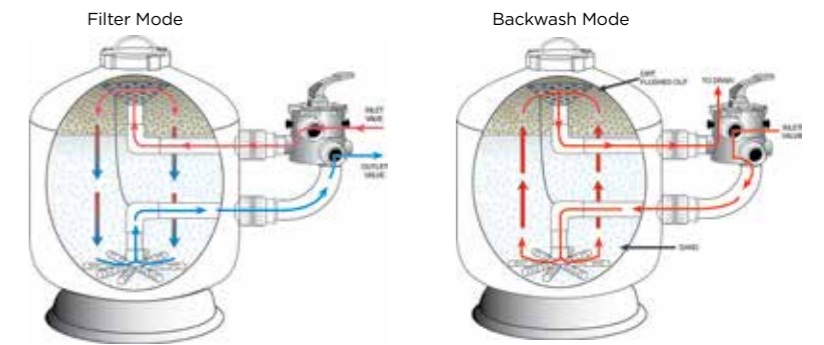
Multiport Valves

Heavy duty construction

Cleansing a filter simply requires shifting the Multiport lever from the "filter" position to the "backwash" position, which reverses the flow of water in the filter, flushing the filter bed.



Side Mount Configuration





Excellent nitrification & mechanical filtration



Aquabiome filters can be backwashed hydraulically with its Multiport Valve



Custom-made Bio Beads for effective mechanical & biological filtration



Aquabiome

Mechanical and Biological Filtration



Effective
Excellent Nitrification and Mechanical filtration.

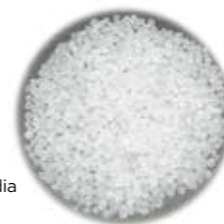
Efficient
Hydraulically efficient filter design, balanced slotted laterals to maximize water flow and filtration.

Durable
Corrosion resistant and UV stabilised for outdoor installation.

Air-Backwash
Air assisted hydraulic backwash, saving time and water.

Superior Quality
Aquabiome fibreglass filters embody the latest in fibreglass winding technology.

4mm - 5mm Biofilter Media



AQUABIOME SKID

Part Number	Product Description
220008160	Aquabiome SM400 Tank Only
220008165	Aquabiome SM400 Skid Pack
220008240	Aquabiome SM600 Tank Only
220008245	Aquabiome SM600 Skid Pack
220008360	Aquabiome SM900 Tank Only
220008365	Aquabiome SM900 Skid Pack

Note: Larger sizes available on request

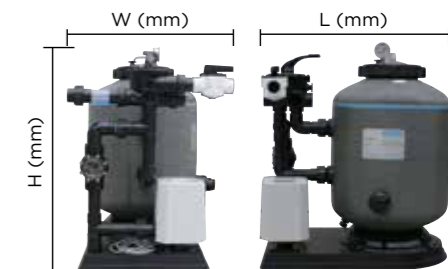
Specifications

Aquabiome	ASM400	ASM600	ASM900
Nominal Diameter mm / inch	400 / 16	600 / 24	900 / 35
Filter Surface Area m ² / ft ²	0.13 / 1.4	0.3 / 3.2	0.64 / 7.15
Media Volume litres / gallons (US)	43 / 11.3	117 / 30.9	303 / 80
Media Weight kg / lbs	21.5 / 47.4	58.5 / 128.9	151.5 / 334
Biofilter Surface Area m ² / ft ²	47.3 / 509	128.7 / 1385	333.3 / 3588
Inlet / Outlet Connections	40mm / 50mm 1½" / (EU)	40mm / 50mm 1½" / (EU)	50mm / 63mm 2" / (EU)
Min - Max Flow Rate			
lpm	52 - 101	120 - 226	255 - 509
m ³ /hr	3.1 - 6.1	7.2 - 13.5	15.3 - 30.5
gpm (US gallon per min)	13.7 - 26.7	31.7 - 59.7	67.4 - 134.5
Max Pond Size litres / gallons (US)	13,000 / 3,434	36,000 / 9,500	90,000 / 24,000
Feed Rate kg / lbs per day	0.32 / 0.71	0.9 / 1.98	2.4 / 5.29
Total Ornamental Fish weight* kg / lbs	10.7 / 23.6	30 / 66.1	80 / 176.4
Total Aquaculture Fish weight* kg / lbs	32 / 70.5	90 / 198	240 / 529
Tank Diameter mm / inch	421 / 16.5"	622 / 24.5"	923 / 36.3"
Overall Height mm / inch	856 / 33.7"	880 / 34.6"	1115 / 43.9"
Valve Size mm / inch	40 / 1½"	40 / 1½"	50 / 2"
Bed Depth mm / inch	290 / 11.4"	360 / 14.2"	440 / 17.3"

* Maximum fish stocking weight depends on the percentage of body weight fed daily.
 • Ornamental fish weight based on feeding rate of 3% of body weight.
 • Aquaculture fish weight based on feeding rate of 1% of body weight.

Dimensions (mm)

Aquabiome	L (mm)	W (mm)	H (mm)
SM400	815	650	886
SM600	1040	650	925
SM900	1328	930	1110



AQUABIOME MEDIA

Part Number	Product Description	Nominal Size
3532550	Aquabiome media (25kg / 50L bag)	per kg

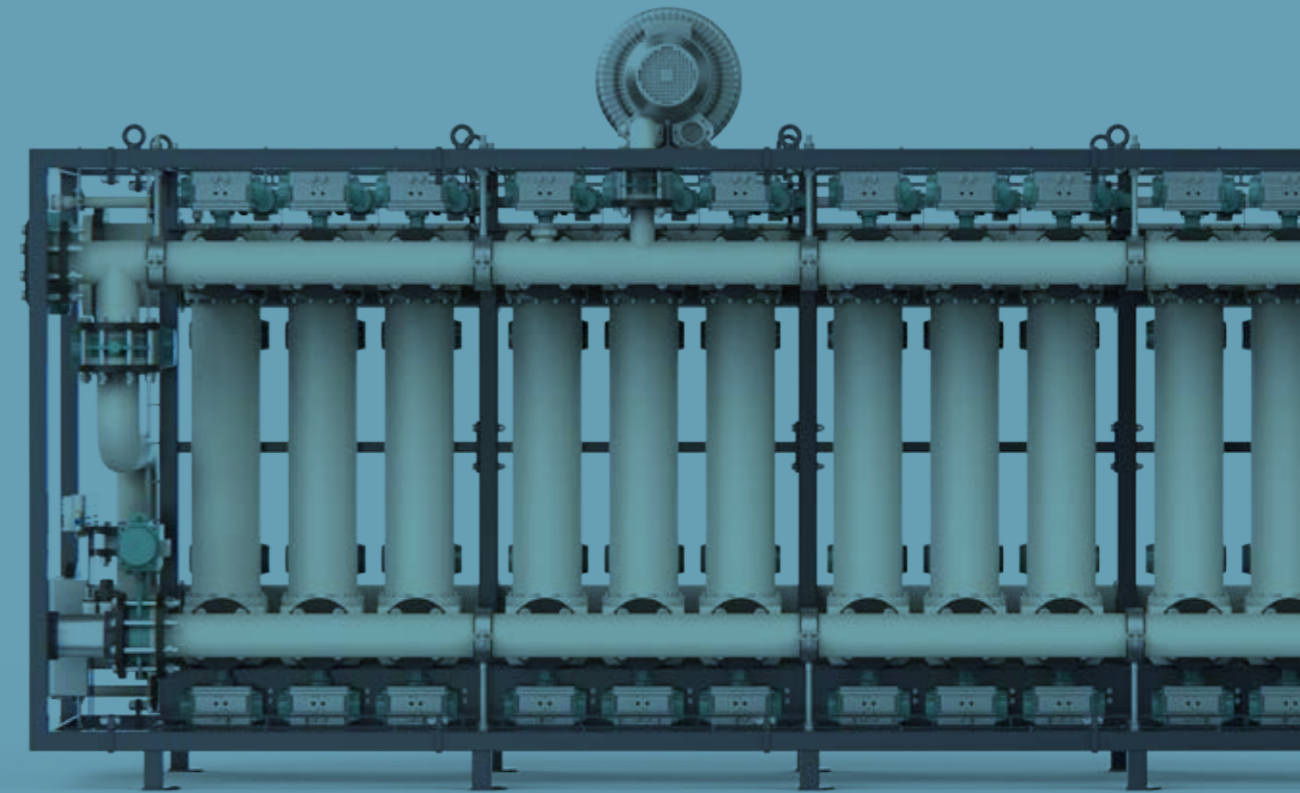


UFF & Cartridge Filters

LIQTECH WATER



Gold Winner
National Product
of the Year



Commercial Pool Filtration System

**LIQTECH
WATER**

IMPROVING OUR FUTURE

The world is running out of clean water resources and it is essential that we treat the resources we have with respect and care. LiqTech has developed a unique ceramic membrane capable of removing contaminants, pathogens and Cryptosporidium alveolates, etc., from water, thus providing robust filtration solutions for essential applications.





High Capacity, Small-Footprint Pool Filtration Solution

LiqTech Water offers best-in-class pool filtration solutions for commercial pools worldwide. Based on more than 20 years of experience in the filtration industry, we offer up to a 65% smaller footprint and cost-effective high-quality water.

Conventional technologies use large amounts of chemicals for disinfection, whereas our superior pool filtration system is keenly focused on reducing chemical consumption. With a LiqTech water treatment system, we guarantee safe, clean, and clear water.

LiqTech Water offers innovative stand-alone or complete turnkey pool filtration systems based on high-quality silicon carbide (SiC) ceramic filters providing high efficiency and reduced life cycle costs. You will cut costs for backwash, electricity, chemicals, and maintenance.

Our turnkey solutions include installations of the entire pool water treatment system, including chemical dosing, UV, monitoring and control systems, and recirculation pumps.

- ⊕ 20 Years of Operation
- ⊕ Smallest Footprint on The Market
- ⊕ ≥99% Removal of Microorganisms, e.g. Cryptosporidium alveolates
- ⊕ Improved Water Quality with Low OPEX
- ⊕ Easy To Service—Low Maintenance
- ⊕ Uses Less Water & Chemicals
- ⊕ High Efficiency & Low Life Cycle Costs



Dimensions: L: 3040 mm W: 1165 mm H: 2010 mm
 L: 120 in. W: 46 in. H: 80 in.
Capacity: 270 m³/h / 1190 gpm

Save water and space with a LiqTech
Water high-capacity pool filtration.



6

A LiqTech pool solution provides you with the smallest footprint on the market and the highest water quality.

Smallest Footprint on the Market

- + Compact solution
- + Ambidextrous design
- + Modular system
- + Fits through a standard doorway
- + Perfect for new-build & retrofitting
- + Significant savings

Upgraded with the latest software and valves for increased reliability, LiqTech Water offers a compact pool filtration solution with the smallest footprint on the market – up to 65% reduction in footprint.

The 'ambidextrous' design, allowing all process connections to be installed from either side, and a modular system to which additional housings can be added after installation, make our solution highly flexible.

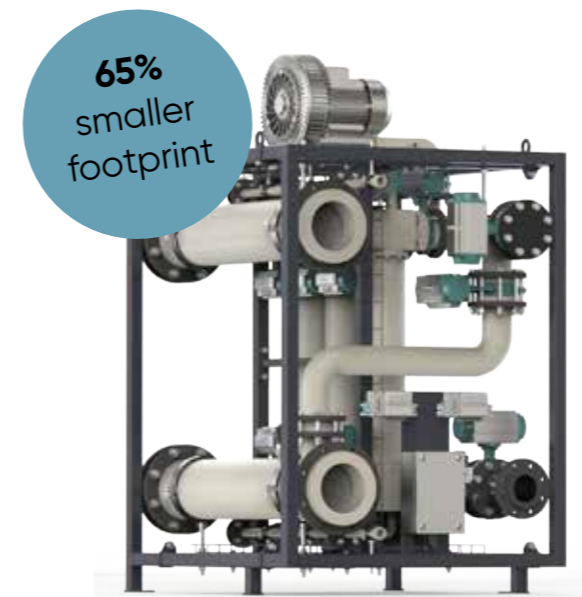
Our greatly reduced skid footprint with up to 75 m³/h filtration capacity per m² fits through a standard doorway and can be made even smaller if required.

All this makes it perfect for both new-build and retrofit installation with significant savings on space and on-site installation costs.

7

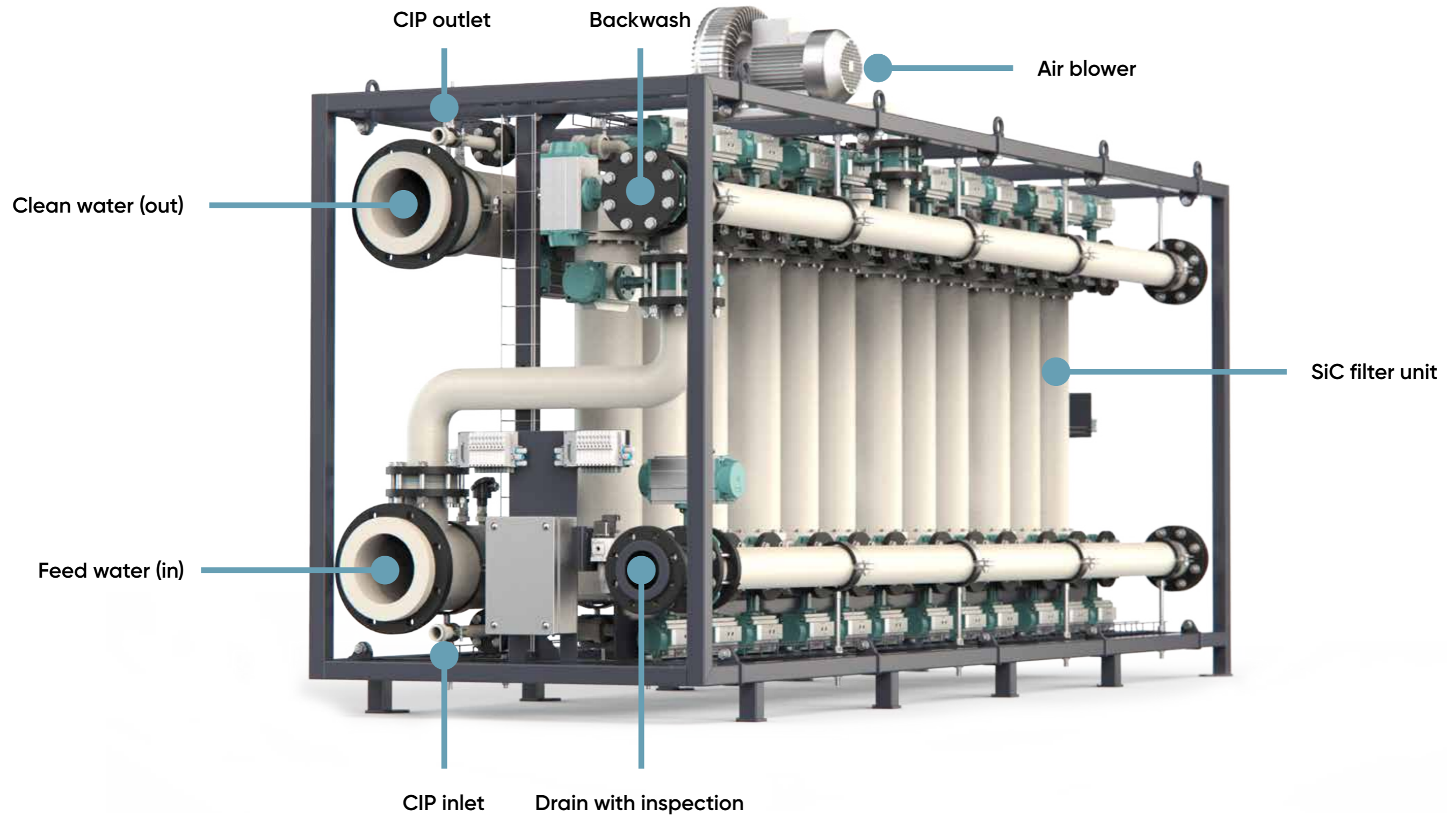
LiqTech pool solution
1.7 m² / 18 ft²

Average sand filter
5.2 m² / 56 ft²



Our filter is 22% smaller than regenerative and a full 65% smaller than a sand filter based on equal pool volume and flow.

System Overview





Benefits of SiC Membrane Technology

We have been manufacturing products using recrystallized silicon carbide for more than two decades. Our SiC membrane technology and systems provide unique advantages to your business compared to other conventional pool filtration technologies.

SiC is chemically inert and abrasion resistant and has a high affinity for water (small footprint) and extreme hardness, which makes it a very durable product, perfect for pool and spa filtration.

The membrane has a dead-end design, which yields a more cost-efficient filtration performance compared to other filtration systems and poses no risk of contaminated water passing through the filter.

With a very high filtration area of 7 m² for a filtration element of Ø146 x 800 and a fast and easy backwash consuming only 75 liters, you benefit from the unique advantages of SiC membranes.

The pore size of the membrane walls allows water to pass through, but retains contaminants.

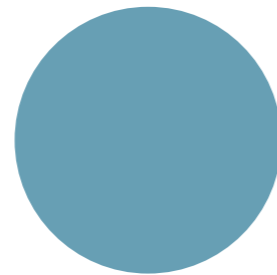
Dirty water in, clean water out. It's as simple as that.

Our ceramic filters decrease the need for chemicals such as chlorine and acid, which in turn provides a better bather experience and a better working environment. All in all, a much more eco-friendly solution.

10



Average sand filter



Media filter



SiC membrane



Unmatched Flux

SiC membranes have the highest flux of any membrane



Chemically Inert

Our systems can withstand the full pH spectrum of 0–14



Small Footprint

Smallest footprint for complete systems in the market



Efficient Cleaning

Any chemical can be used for cleaning, resulting in very low membrane fouling



Excellent Thermal Properties

Our SiC membranes can withstand temperatures of 800°C



Robustness

SiC is the second hardest material in the world after diamonds



Unmatched Performance

High performance, low total cost of ownership



Long-Term Performance—Less Maintenance

Fully automated system with less down time and stable operation

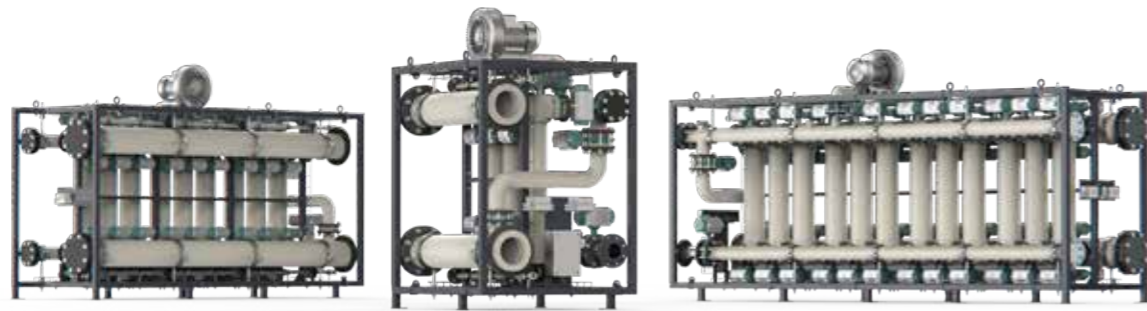
11

Our revolutionary SiC ceramic membranes are based on 20 years of experience.

Smallest Footprint on the Market – Easily Expandable

TECHNICAL DATA

Housing filtration capacity	20–30 m ³ /h / 90–130 gpm
Single skid capacity	1–12 housings



CONFIGURATIONS

Elements	Length	Width	Height with blower	Height without blower	Weight
1–3 housings	1380 mm 55 in.	1165 mm 46 in.	2010 mm 80 in.	1720 mm 68 in.	480 kg 1058 lb
4–6 housings	2210 mm 87 in.	1165 mm 46 in.	2010 mm 80 in.	1720 mm 68 in.	700 kg 1543 lb
7–9 housings	3040 mm 120 in.	1165 mm 46 in.	2010 mm 80 in.	1720 mm 68 in.	920 kg 2028 lb
10–12 housings	3870 mm 153 in.	1165 mm 46 in.	2010 mm 80 in.	1720 mm 68 in.	1140 kg 2513 lb

Superior Pool Filtration – Way Ahead

	CERAMIC	REGENERATIVE	SAND FILTER	CARTRIDGE
Automated system	+		+	
Uses less water for back-wash	+	+		+
Uses fewer chemicals	+			+
Minimizes crypto	+	+		
Takes up less space	+			+
Dead-end filtration	+			
Uses no media	+			
Removes organic and inorganic material	+			
Filters down to 3 micron	+	+		+
24/7 monitoring	+		+	
Fits through a standard doorway	+			+
Minimal installation labor	+			
Pre-installed electrical and control cabinet	+			
Monitors temperature	+			
Monitors flow	+			
Monitors pressure and pressure drop	+		+	+



Benefits of the LiqTech System

- ⊕ Up to 65% footprint reduction - the smallest on the market
- ⊕ 70% water reduction in a backwash
- ⊕ 30% lower chemical usage
- ⊕ At least 40% lower residual turbidity
- ⊕ Up to 40% reduction in combined chlorine
- ⊕ Up to 40% fewer trihalomethanes (THM)
- ⊕ Low maintenance
- ⊕ Consistent water quality
- ⊕ Automatic chemical cleaning
- ⊕ Modular system design for flexible installation and capacity upgrades
- ⊕ No media costs—low OPEX
- ⊕ On-site and remote control of the system

14



With more than 20 years of experience in the filtration industry and 300+ water treatment systems installed worldwide, we are ready to provide you with a sustainable pool filtration solution.

15



"LiqTech has delivered and installed an exceptional water treatment system that performs as promised. With the savings achieved, the payback time is only three years."

Jan S. Johansen, Manager, Marselisborg Center

Commercial Pool Filtration Cases

Over more than two decades, LiqTech Water has installed commercial pool filtration systems in a large number of centers.

Read more: www.liqtech.com/water/cases

Water & Wellness Center

The main objective was to find a solution with a very compact system, yet still with a focus on water, chemicals and energy savings.

The solution was a microfiltration water treatment system from LiqTech Water. It was chosen due to its ability to provide the best water quality and total cost of ownership.

The LiqTech system also saved vast amounts of water used for backwashing the system, while running flawlessly and reliably.



Therapy Pool

The pool was originally equipped with a sand filter system; however, the water quality was not quite satisfactory.

A high-tech water treatment system from LiqTech was chosen for its ability to provide the best water quality and smallest footprint for pool systems.

Today the microfiltration systems run smoothly, providing superior water quality, giving remarkable savings on backwash, electricity, chemicals, and maintenance.



Water Park

One of the crucial points at Water Park was the compact size of the water treatment system, as additional sand filters would need a basement extension.

The solution was a high-tech LiqTech water treatment system, featuring microfiltration membranes that take up 1/4 of the footprint compared to a sand filter solution.

The choice was also based on its ability to provide the best and most reliable water filtration technique, together with a clean and consistent water quality.





19

"We are really satisfied with the water quality we have achieved from installing the LiqTech system, and our guests benefit greatly from the healthier environment."

Michael Pedersen, Technical Manager, Skive Municipality

Cartridge Filters



Opal cartridge filters are designed to house an extra large filter cartridge, maximising its dirt holding capacity and minimising filter maintenance. The filter's ergonomic lid allows easy access to the filter cartridge for removal, cleaning and installation in a matter of minutes.

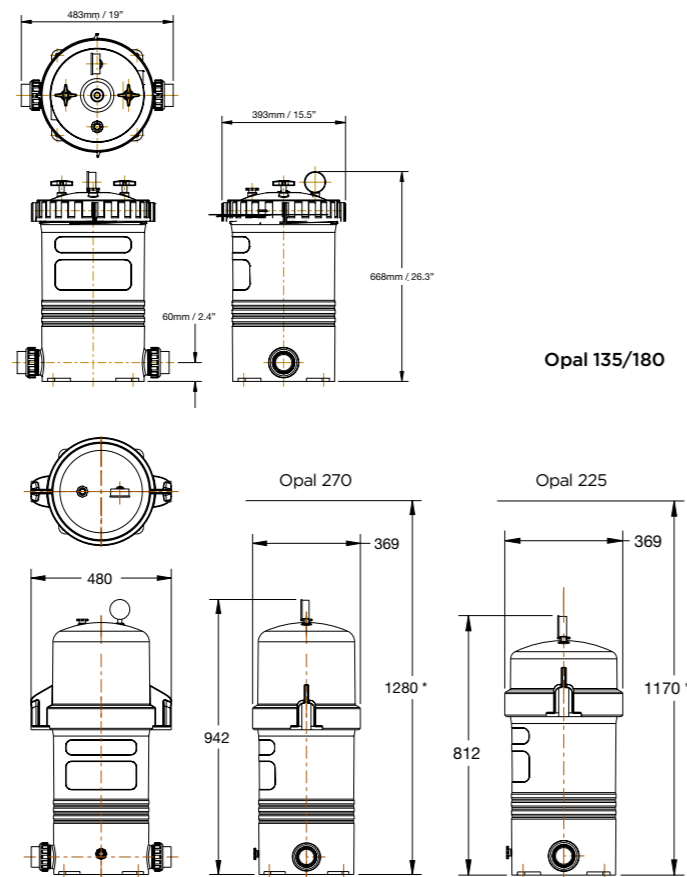
OPAL CARTRIDGE FILTERS

Part Number	Product Description	Nominal Size
2171355	Opal Cartridge Filter 2.5 Bar	135 sq.ft
2171805	Opal Cartridge Filter 2.5 Bar	180 sq.ft
2172252	Opal Cartridge Filter 2.5 Bar	225 sq.ft
2172702	Opal Cartridge Filter 2.5 Bar	270 sq.ft
701039	Opal Filter Cartridge Element	180sq.ft
701038	Opal Filter Cartridge Element	225sq.ft
701040	Opal Filter Cartridge Element	90sq.ft
701041	Opal Filter Cartridge Element	270sq.ft
701041+ 701038	Opal Filter Cartridge Element	

Specifications

Model	Filter Area		Max Flow Rate lpm	Working Pressure		Max Pool Size L
	m ²	ft ²		kPa	psi	
Opal 135	12.5	135	510	250	50	183,600
Opal 180	16.7	180	510	250	50	183,600
Opal 225	20.9	225	510	250	50	183,600
Opal 270	25.1	270	510	250	50	183,600

Dimensions



* Minimum Clearance Height to Remove Cartridge (mm)

Cartridge Filters



Fulflo Tri Cartridge Filters are designed to effectively filter out suspended solids from your pool. Fulflo Tri-cartridge filter houses three individual pleated filter cartridges, maximising its dirt holding capacity and minimising filter maintenance, leading to significant water savings.

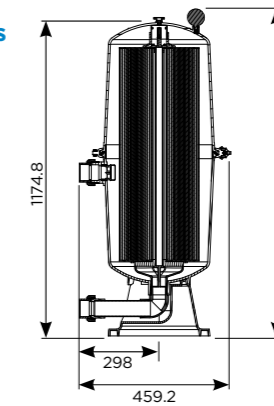
FULFLO TRI CARTRIDGE FILTERS

Part Number	Product Description	Nominal Size
2165500	Fulflo Tri-Cartridge Filter C500	500sq.ft
622810	Fulflo C300 Filter Cartridge [3 cartridges required]	
622820	Fulflo C400 Filter Cartridge [3 cartridges required]	
622830	Fulflo C500 Filter Cartridge [3 cartridges required]	

Specifications

Model	Filter Area	Filter Area	Max Flow Rate lpm	Max Pool Size L	Max Working kPa
	sq.ft.	m ²			
2165500	500	46	510	183,600	350kPa

Dimensions



Cartridge Filters



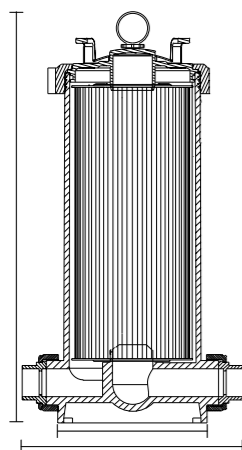
COMMANDOMATIC TCF HOUSING 6 Bar / 87psi

Part Number	Product Description
Polypropylene Housing for Cartridge and/or Granular Filtration Purposes. Filter supplied with both 1½" imperial & 50mm metric quick connect unions.	
2150253	C25 TCF (empty)
2150503	C50 TCF (empty)
2150753	C75 TCF (empty)

COMMANDOMATIC TCF COMPLETE UNITS - 6 Bar

Part Number	Product Description
21502531	C25 Cartridge Filter c/w 30 micron cartridge
21505031	C50 Cartridge Filter c/w 30 micron cartridge
20507531	C75 Cartridge Filter c/w 30 micron cartridge

TCF Compact Filter is a compact and economical Cartridge Filter built with an easy to use lock ring system for simple cartridge removal and replacement.



- Easy to read pressure gauge.
- Non-corrosive, non-sticking air relief valve. Easy to operate.
- Moulded glass filled PP lid with quick loading nut for easy hand operation.
- Inbuilt automatic air bleed.
- High impact polypropylene body.

50mm / 1½" connections

Model	Height (mm)	Width (mm)	Tank Diameter (mm)
C25	-	384	259
C50	720	384	259
C75	970	384	259

COMMANDOMATIC TCF CARTRIDGES

Part Number	Product Description
Pleated Polyester Filter Cartridges	
620401	C25 1 micron cartridge
62040	C25 30 micron cartridge
62041	C50 5 micron Cartridge
62043	C75 5 micron Cartridge
620411	C50 10 micron Cartridge
620431	C75 10 micron Cartridge
6204220	C50 20 micron Cartridge
6204420	C75 20 micron Cartridge
62042	C50 30 micron Cartridge
62044	C75 30 micron Cartridge

The pleated filter cartridge is constructed from heavy duty, easy-to-clean polyester fabric. The Cartridge's pleats allow for more surface area and a lower pressure loss compared to depth type filter cartridges

Model	Max. Flow Rate	Cartridge Micron Ratings	Maximum Pressure Drop	Surface Area	Cartridge Length	Cartridge Diameter
C25	5.7m³/hr	5, 10, 20, 30	0.2 Bar / 2.9 psi	2.3m² (25ft²)	240mm	185mm
C50	11.40m³/hr	5, 10, 20, 30	0.2 Bar / 2.9 psi	4.6m² (50ft²)	490mm	185mm
C75	16.50m³/hr	5, 10, 20, 30	0.2 Bar / 2.9 psi	6.9m² (75ft²)	740mm	185mm

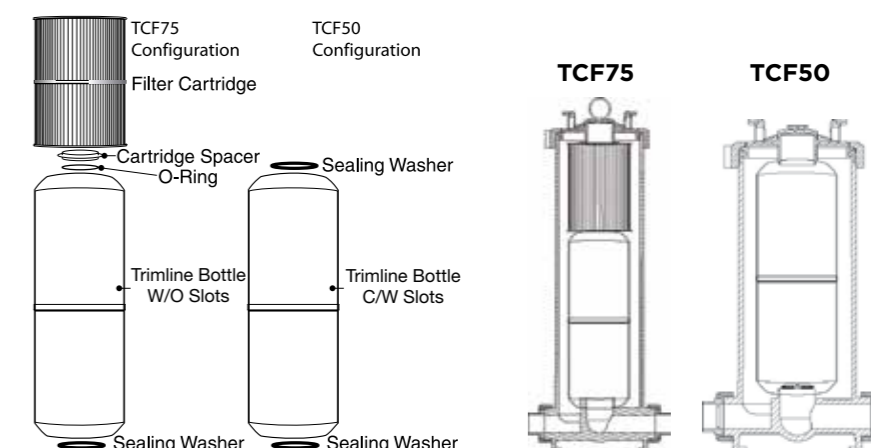
Cartridge Filters



TCF GRANULAR MEDIA CARTRIDGE COMPONENTS

Part Number	Product Description
3651922	Trimline Bottle (c/w slots) 12 litre capacity
3651923	Trimline Bottle (w/o slots) 12 litre capacity
644771	TCF sealing washer
W02046	TCF cartridge spacer
6340116	TCF cartridge spacer 'O' ring

TCF Granular Media Pre-Filter Cartridges	
62031	C25 5 micron Cartridge
620311	C25 10 micron Cartridge
6204020	C25 20 micron Cartridge
62040	C25 30 micron Cartridge



Pleated Filter Cartridges

The Pleated Filter Cartridges are fabricated from pleated reusable polyester fabric. The media has been pleated to provide 2.3 to 6.9 square metres of surface area in order to maximise the cartridge dirt holding capacity and extend the time between cleaning.

Material : Polyester Fabric material, Vinyl Plastisol end caps, Polypropylene core

Operating Temperature : 4°C to 50°C

Maximum Pressure Drop : 0.2 bar / 2.9 psi

Granular Media Cartridges

The granular media cartridges are able to house 12 litres of filter media and are designed to allow water to enter via the top of the cartridge and flow through the full height of the filter bed before exiting at the bottom of the cartridge.

TBF Bag Filters



TBF housings are constructed from high impact polypropylene to be compatible with a wide range of fluids and its ergonomic screw down lid is designed for simple hand operation allowing for a quick filter changeover.

- Ideal as a coarse pre-filter/ leaf trapper
- Disposable filter bags
- One piece mould construction
- Able to withstand up to 6 Bar/600kPa/87 psi

COMMANDOMATIC TBF HOUSING 6 Bar / 87psi

Part Number	Product Description
	Polypropylene Housing for Bag Filtration
3761050EU	C50 TBF Housing
37610750EU	C75 TBF Housing

Specifications

Model	TBF C50	TBF C75
Filter Area m ² (ft ²)	0.17 (1.85)	0.27 (2.9)
Max. Flow rate lpm (gpm)	340 (89.8)	340 (89.8)
Required Clearance For Servicing, mm (inch)	530 (20.9)	770 (30.3)

Design Filtration Rate: Residential : 326 lpm/m² (8 gpm/ft²)
Commercial : 122 lpm/m² (3 gpm/ft²)

Dimensions (mm)

Model	A	B	C	D	E	F	G
C50	710mm	665mm	620mm	71mm	263mm	278.5mm	402mm
C75	960mm	915mm	870mm	71mm	263mm	278.5mm	402mm

TBF POLYPROPYLENE FILTER BAGS

Part Number	Product Description
	For C50
3651931	1 Micron Filter Bag
3651924	5 Micron Filter Bag
3651925	25 Micron Filter Bag
3651926	50 Micron Filter Bag
36519261	100 micron Filter Bag
36519265	800 Micron Filter Bag
	For C75
36519310	1 Micron Filter Bag
36519240	5 Micron Filter Bag
36519250	25 Micron Filter Bag
36519260	50 Micron Filter Bag
36519262	100 micron Filter Bag
36519266	800 Micron Filter Bag



Filter Bag Dimensions	C50	C75
Surface Area	0.17m ² / 1.85ft ²	0.27m ² / 2.9ft ²
Diameter	178mm / 7"	178mm / 7"
Length	419mm / 16.5"	660mm / 26"

Filter Bag Specifications	C50	C75
Material	Polyester*	Polyester*
Specific Gravity	0.91	0.91
Abrasion & Flex	Very Good	Very Good
Weak Acids	Excellent	Excellent
Strong Acids	Excellent	Excellent
Weak Alkali	Excellent	Excellent
Strong Alkali	Excellent	Excellent
Solvents	Fair	Fair



Water Treatment

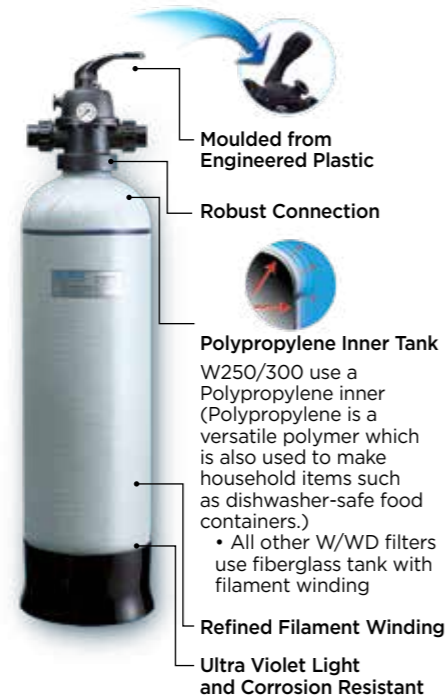
Micron W Series

Enjoy clear water through your whole house



- Effective Filtration
- Minimal Maintenance
- Dependable Strength and Durability

MICRON W FILTERS



Strength and Durability

A Micron W's innovative design and superior construction techniques provide it the strength to cope with working pressures up to 700kPa. (Equivalent to 71 tonnes per square meter.)

Refined Filament Winding

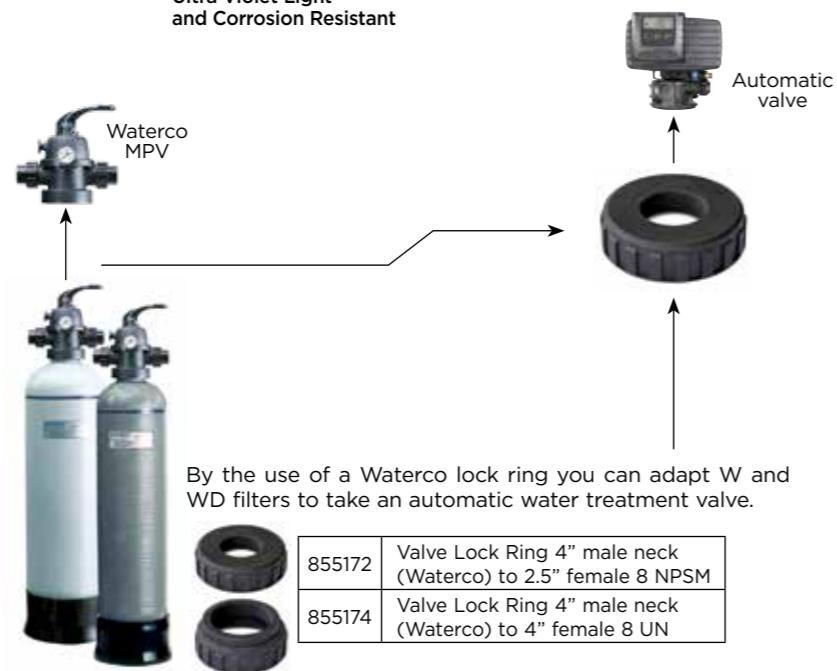
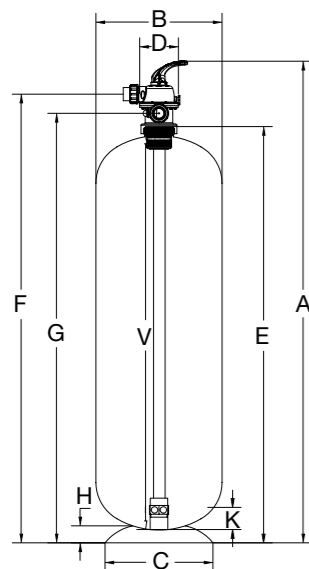
Waterco's advanced filament winding machine winds continuous strands of fibreglass onto the filter's inner tank to strengthen the filter so that it is able to withstand high water pressures as well as fluctuating water pressures.

Warranty

Product	Full Warranty	Pro-Rata Warranty
All applications	5 years	5 years

* W & WD Filters are covered by Waterco's Commercial Filter Warranty

* Please refer to Waterco's warranty terms and conditions.



Micron W Series

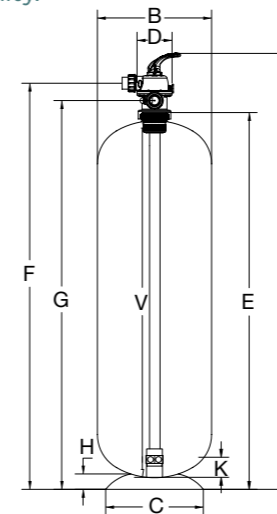
Deep Bed Filters



Technologically Advanced

Micron filters consist of a blow moulded inner shell of fibreglass reinforced polyester resin strengthened with multiple layers of continuous strands of fibreglass filament.

Micron filters are wound with precision by Waterco's digital filament winding machines, for refined consistency and superior quality.

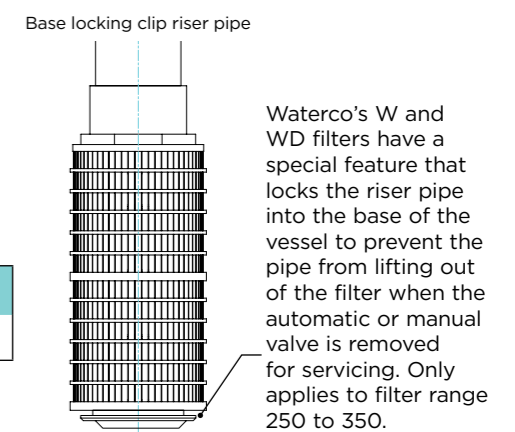
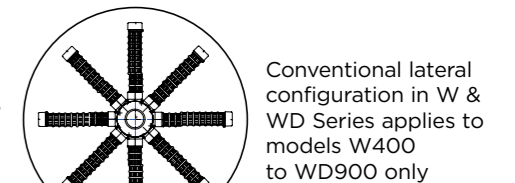
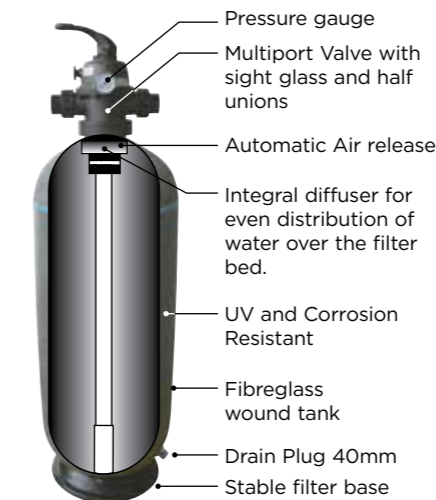


MICRON W FILTERS - tank only 7 bar pressure rating

Part Number	Product Description
Backwashable Deep Bed granular filters 7 Bar pressure rating	
2247250	Micron W250 7BAR 4"N/RING tank only
22473011	Micron W300 7BAR 4"N/RING tank only
22473571	Micron W350 7BAR 4"N/RING tank only
22474071	Micron W400 7BAR 4"N/RING tank only
22475071	Micron W500 7BAR 4"N/RING tank only
22476071	Micron W600 7BAR 4"N/RING tank only
22477071	Micron W700 7BAR 4"N/RING tank only

MICRON W FILTERS - with MPV 7 Bar pressure rating

Part Number	Product Description
Backwashable Deep Bed granular filters 7 Bar pressure rating	
224725010	Micron W250 (700kPa) - c/w 40mm 5 way MPV
22473010	Micron W300 (700kPa) - c/w 40mm 5 way MPV
22473570	Micron W350 (700kPa) - c/w 40mm 5 way MPV
22474070	Micron W400 (700kPa) - c/w 40mm 5 way MPV
22475070	Micron W500 (700kPa) - c/w 40mm 5 way MPV
22476070	Micron W600 (700kPa) - c/w 40mm 5 way MPV
22477070	Micron W700 (700kPa) - c/w 40mm 5 way MPV



Warranty

Product	Full Warranty	Pro-Rata Warranty
All applications	5 years	5 years

* W & WD Filters are covered by Waterco's Commercial Filter Warranty

* Please refer to Waterco's warranty terms and conditions.

Specifications

Filter Model	MPV Size	Filter Bed Depth	Filter Bed Area	Filtration Flow Rates		Backwash Flow Rates		Filter Bed Volume	Sand 16/30	Glass Pearls 0.6-0.8
				36m ³ /hr/m ²	m ³ /hr	40m ³ /hr/m ²	m ³ /hr			
W250	40	600	0.05	30	1.8	33	2	41	60	66
W300	40	600	0.07	42	2.5	47	2.8	58	85	94
W350	40	600	0.10	60	3.6	67	4	79	115	127
W400	40	600	0.13	78	4.7	87	5.2	79	115	158
W500	40	600	0.20	120	7.2	133	8	123	180	199
W600	40	600	0.28	168	10.1	187	11.2	175	255	282
W700	40	600	0.38	228	13.7	253	15.2	240	350	387

Dimensions (mm)

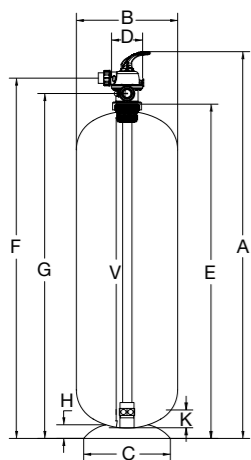
Model	A	B	C	D	E	F	G	H	V	K
W250	1385	268	304	160	1119	1252	1172	162	955	180
W300	1366	322	346	160	1100	1233	1153	175	955	180
W350	1397	366	355	160	1130	1262	1183	63	1010	180
W400	1377	416	355	160	1110	1242	1163	63	995	76
W500	1415	518	443	160	1148	1280	1201	69	1014	76
W600	1402	620	540	160	1135	1267	1188	88	992	76
W700	1407	720	540	160	1140	1272	1193	88	1015	86

Micron WD Series

Deep Sand Filters



Micron WD filters are designed with filter bed depths of 1000mm providing enhanced filtration and increased contact time.



MICRON WD FILTERS - Tank ONLY 7 Bar pressure rating

Part Number	Product Description
22483071	Micron WD300 7BAR 4"N/RING tank only
22483571	Micron WD350 7BAR 4"N/RING tank only
22484071	Micron WD400 7BAR 4"N/RING tank only
22485071	Micron WD500 7BAR 4"N/RING tank only
22486071	Micron WD600 7BAR 4"N/RING tank only
22487071	Micron WD700 7BAR 4"N/RING tank only

MICRON WD FILTERS - with MPV 7 Bar pressure rating

Part Number	Product Description
22483070	Micron WD300 (700kPa) - c/w 40mm 5 way MPV
22483570	Micron WD350 (700kPa) - c/w 40mm 5 way MPV
22484070	Micron WD400 (700kPa) - c/w 40mm 5 way MPV
22485070	Micron WD500 (700kPa) - c/w 40mm 5 way MPV
22486070	Micron WD600 (700kPa) - c/w 40mm 5 way MPV
22487070	Micron WD700 (700kPa) - c/w 40mm 5 way MPV

Specifications

Filter Model	MPV Size	Filter Bed Depth	Filter Bed Area	Filtration Flow Rates		Backwash Flow Rates		Filter Bed Volume	Sand 16/30	Glass Pearls 0.6-0.8
				36m ³ /hr/m ²	lpm	40m ³ /hr/m ²	lpm			
WD300	40	1000	0.07	42	2.5	47	2.8	86	125	138
WD350	40	1000	0.10	60	3.6	67	4	116	170	188
WD400	40	1000	0.13	78	4.7	87	5.2	129	188	208
WD500	40	1000	0.20	120	7.2	133	8	199	290	321
WD600	40	1000	0.28	168	10.1	187	11.2	288	420	465
WD700	40	1000	0.38	228	13.7	253	15.2	394	575	636

Dimensions (mm)

Model	A	B	C	D	E	F	G	H	V	K
WD300	1977	315	301	160	1710	1841	1762	75	1590	180
WD350	1997	366	356	160	1730	1861	1782	63	1612	180
WD400	1987	416	356	160	1720	1851	1772	63	1595	76
WD500	2009	518	443	160	1742	1873	1794	69	1600	76
WD600	1997	620	540	160	1730	1861	1782	88	1582	76
WD700	2002	720	540	160	1735	1866	1787	88	1622	86

Warranty

Product	Full Warranty	Pro-Rata Warranty
All applications	5 years	5 years

* W & WD Filters are covered by Waterco's Commercial Filter Warranty
 * Please refer to Waterco's warranty terms and conditions.

Waterco's unique thread protection ring reduces the possibility of damage to critical treads and locks in place the top riser pipe while covering the riser pipes hole form being accidentally filled with media on commissioning.



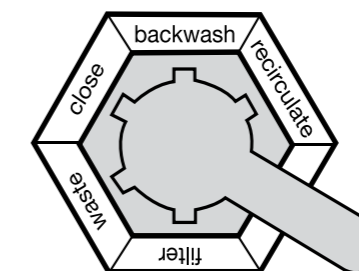
Multiport Valves

Heavy duty construction



MPV

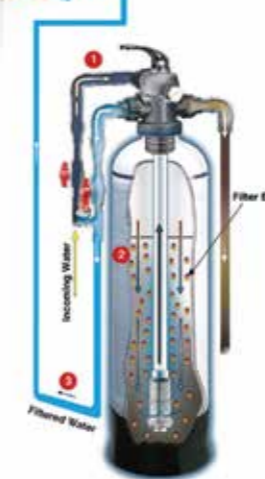
Part Number	Product Description	Filter
2280262	TM 40mm 5-way MPV	Micron W250 Filter
	TM 40mm 5-way MPV	Micron W300 MKII Filter
	TM 40mm 5-way MPV	Micron W250Fn Filter
	TM 40mm 5-way MPV	Micron W300Fn Filter
2280262	TM 40mm 5 way valve	Micron W350 w 4" neck
	TM 40mm 5 way valve	Micron W400 w 4" neck
	TM 40mm 5 way valve	Micron W500 w 4" neck
	TM 40mm 5 way valve	Micron W600 w 4" neck
	TM 40mm 5 way valve	Micron W700n 4" neck
	TM 40mm 5 way valve	Micron WD300 w 4" neck
2280262	TM 40mm 5 way valve	Micron WD350 w 4" neck
	TM 40mm 5 way valve	Micron WD400 w 4" neck
	TM 40mm 5 way valve	Micron WD500 w 4" neck
	TM 40mm 5 way valve	Micron WD600 w 4" neck
	TM 40mm 5 way valve	Micron WD700 w 4" neck



Multiport Valve Main Functions

- Filter** - downward flow through the filter bed to outlet
- Backwash** - upward flow through the filter bed to waste
- Rinse** - downward flow through the filter bed to waste
- Waste** - bypass the filter bed to waste
- Re-circulate** - bypass the filter bed to outlet
- Closed** - no flow to the filter

Cleansing a filter simply requires shifting the Multiport lever from the "filter" position to the "backwash" position, which reverses the flow of water in the filter, flushing the filter bed.





Glass Pearls

Advanced Filter Media



Manufactured from pure glass, Glass Pearls are a new generation of filter media, capable of providing water of superior clarity.

Its spherical shape results in low coefficient of friction, reducing backwash requirements, saving pool owners both time and water.

- 3 micron nominal filtration
- 66% less backwash water
- High purity
- Safe and smooth
- Time saving
- 0.6mm to 0.8mm in size
- 37% less head loss



GLASS PEARLS

Part Number	Product Description	Nominal Litres/bag	Nominal weight
35320011	Glass Pearl Media 0.6 - 0.8mm	12.4	20kg

Superior Clarity

Glass Pearls have a small effective size of only 0.6mm to 0.8mm. Its narrow particle size range allows in-depth filtration and extends operating cycles between backwashing. Glass Pearls have been laboratory tested to be able to effectively filter down to below 3 microns.

Save Water

Glass Pearls spherical smooth shape, results in a low coefficient of friction, reducing its backwash water requirements. Glass Pearls backwashes with up to 30% less water than crushed glass or sand, saving time and water.



High Purity

Glass Pearls are manufactured from pure glass and chemically inert. Glass Pearls have been independently lab tested for leaching contaminants and found to be well within Australian Drinking Water Guidelines.

Safe and Smooth

Glass Pearls are spherical and do not have any sharp edges. They are safe to handle and safe to service. If there is ever a failure of the filter's laterals and Glass Pearls flow into the swimming pool, they pose no risk of injury to swimmers.

Time Saving

Glass Pearls are easy to install and enables a rapid start up of the media filter. Its high purity means very little backwashing is required to cleanse the filter media, prior to commissioning the filter.



Technical Specifications	
Filtration Media	Glass Pearl
Effective Size (mm)	0.61
Uniformity Coefficient	1.21
Bulk Density	1.61
Mohs Hardness	7.0

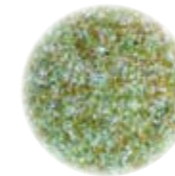
Chemical Compositions	
Silicon dioxide (SiO ₂)	70.00 - 75.00%
Sodium oxide (Na ₂ O)	12.00 - 15.00%
Calcium oxide (CaO)	7.00 - 12.00%
Magnesium oxide (MgO)	approx. 5.00%
Aluminium oxide (Al ₂ O ₃)	approx. 2.50%
Potassium oxide (K ₂ O)	approx. 1.50%

ECO PURE

GLASS MEDIA



Grade 1 equivalent to 16/30 Grade sand



Grade 1
0.5mm-1mm



ECO PURE GLASS MEDIA

Part Number	Product Description	Nominal Litres/bag	Nominal Size
35320014	Grade 1 (0.5mm -1mm)	16.6	20kg bag

Waterco Glass media has the green credentials, and with its superior performance is also cost effective in comparison to sand.

Waterco Glass media has many benefits over sand:

• Waterco Glass media is more efficient

It removes 30% more material and pollutants than sand, so saving on backwashing and the resultant water, energy and chemical treatment costs

• Waterco Glass media keeps cleaner

It is less susceptible to bio-fouling. As the product is heat treated surfaces are smooth, so requiring less remedial action and again less chemical treatment to kill pollutants

• Waterco Glass media doesn't degrade

It therefore has a longer life span

• Waterco Glass media

Is suitable for both commercial and domestic applications

Granular Activated Carbon (GAC)

Advanced Filter Media



Our coconut shell activated carbon is steam activated, which gives a high micro porous level. The high micro pore level makes it ideal for adsorption of small molecular weight organics compounds plus removal of pesticides, ozone, chlorine, odour, colour and PFAS.

The low dust level makes handling and preparation safe and easy, whilst the high hardness level makes it more durable compared with other GAC types.



Granular Activated Carbon

Part Number	Product Description
353300092	Granulated Activated Carbon

Applications

- Waste water
- Aquatic centers
- Air filtration
- Aquaculture
- Potable water
- Storm water
- PFAS removal
- Volatile organic compounds
- Chloramine's removal

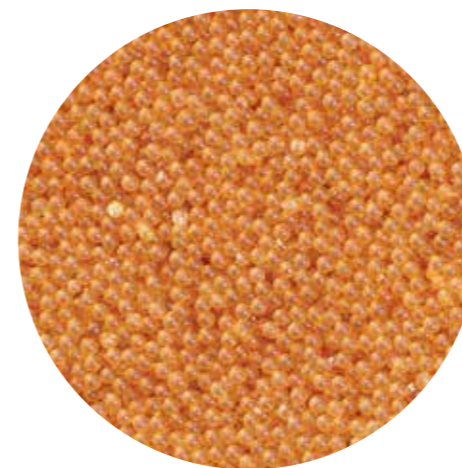
Benefits of Coconut GAC

- Low dust
- High hardness level
- High micro porous level
- Renewable material

Technical Specifications	
Parameter	Typical Value
Iodine Value	950mg/g
Size	8*30 mesh
Moisture (maximum)	5%
Ash (maximum)	5%
Hardness	98%
pH range	6-10
Bulk Density	450-470 kg/m ³
Specific Surface Area (minimum)	1150 m ² /g
Packing	25kg/bag

Ion Exchange Media

Advanced Filter Media



Softening Resin



Purifier Resin



Demineraliser

RESINS

Part Number	Product Description
35320051	Softening Resin (SKIB) Suitable for S7, S7A, S14, S14A, S14V, PS4, PS4A W7, W7A, W7V and Cation column of demineraliser
35320061	Purifier Resin SA12A Suitable for WPS4, WPS4A, WPS4V, PS9, PS9A, PS9V
35320081	Demineraliser Resin NRW37

Softening resins

Softening resins remove the hardness ions and replaces them with sodium ions. When the resin bed is exhausted, the capacity is restored by regeneration with regenerating salt.

Particle size	: +1.2mm <5%, -0.3mm <1%
Package size	: 20kg/25L per bag

Purifying resins

Purifying resins are a strong based anion exchanger for the removal of organic colour, bad tastes and odors, chlorine and fluoride. It has excellent regeneration efficiency and rinse characteristics. Ideal for both mixed bed and layered bed demineralizer systems.

Particle size	: +1.2mm <2%, -0.3mm <1%
Package size	: 17kg/25L per bag

Demineralisation resins

This is a high quality mixed bed of anion and cation resins for direct purification of water.

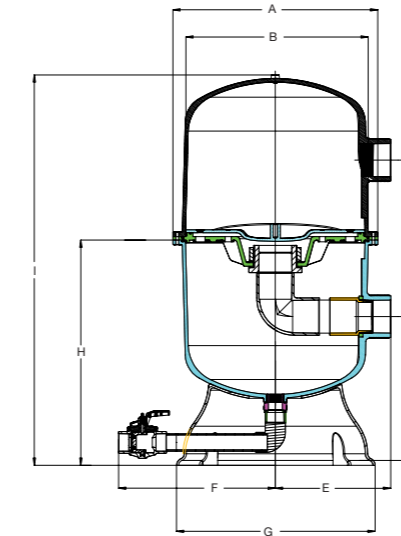
Package size	: 18.5kg/25L per bag
--------------	----------------------



Pre-Filter

MULTICYCLONE 70XL COMMERCIAL

Centrifugal Pre-filtration



WATERCO MULTICYCLONE FILTER

Part Number	Product Description	Nominal Size
200394	MultiCyclone 70XL	100mm
239070	MultiCyclone XL70 Auto Purge System 1 actuator	

The MultiCyclone 70XL is an evolution of Waterco's MultiCyclone technology. Waterco has specially created a commercial version by increasing its number of hydrocyclones to cater for the higher flow rates and redesigned to cope with the demanding requirements of commercial installations.

The MultiCyclone 70XL has been specially created to handle larger water capacities for commercial and industrial application.

- Maximum flow rate of 90m³/hr
- Suitable for new and existing commercial installations

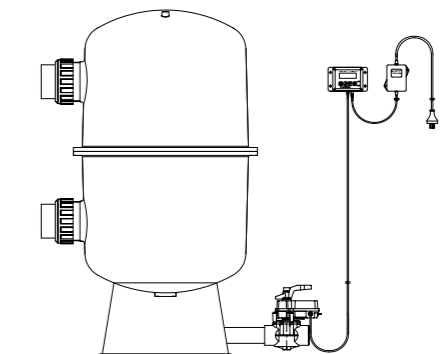
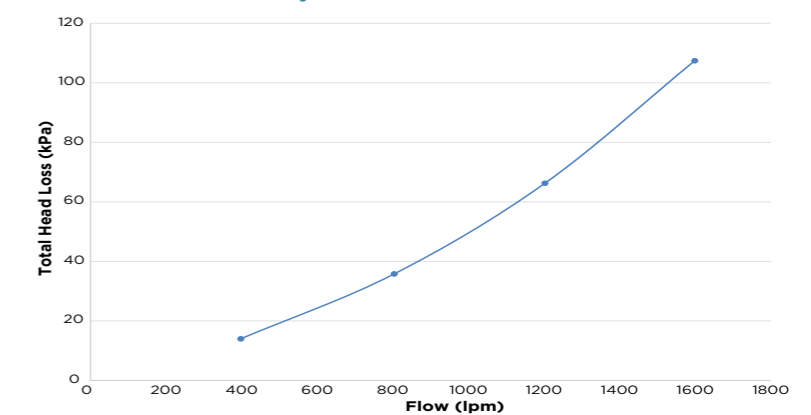
Specifications

Model	Connection Ports	Minimum Flow	Maximum Flow	Maximum Pressure
MultiCyclone 70 XL Commercial	100mm	36m ³ /hr	90m ³ /hr	3.5Bar/50psi/350kPa

Dimensions (mm)

Model	A	B	C	D	E	F	G	H	I
MultiCyclone Commercial Pre-Filter	710 mm	623.3 mm	542.5 mm	498.9 mm	400 mm	543.6 mm	498.9 mm	780.7 mm	1353.4 mm

MultiCyclone 70XL Head Loss Curve



MultiCyclone XL70 Auto Purge System 1 actuator

Centrifugal Filtration

- ✓ Minimises filter maintenance and saves water
- ✓ No filter media to clean or replace
- ✓ Suitable for new and existing installations



MultiCyclone 70XL
A commercial Multicyclone to cater for higher flow rates up to 90m³/hr.



MultiCyclone PRO
High Pressure (6.9 Bar) version for water treatment applications.



MultiCyclone
Multi-award winning pre-filtration device that works on the basis of centrifugal water filtration.



MULTICYCLONE Auto Purge System

Centrifugal Pre-filtration 7 Bar

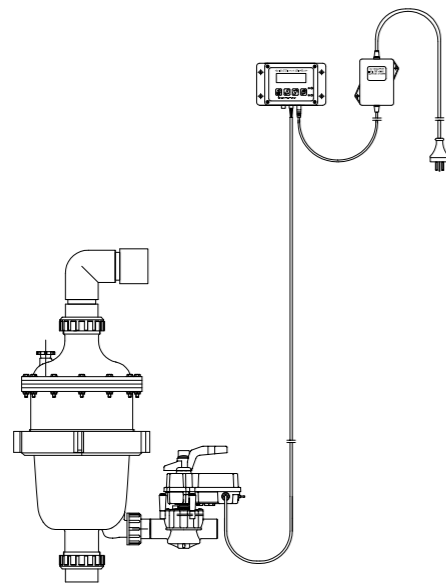


MULTICYCLONE AUTO PURGE SYSTEM

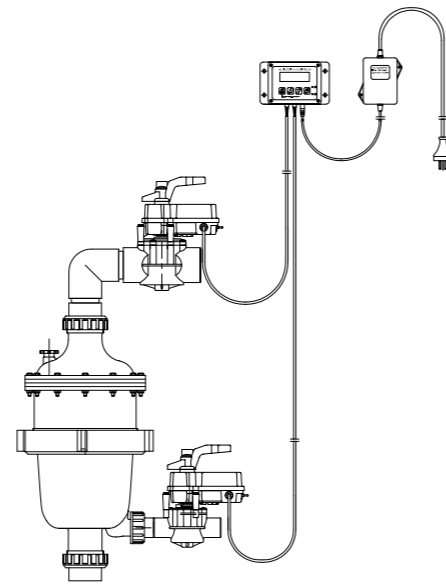
Part Number	Product Description
239073	MultiCyclone 12/16 Auto Purge System 1 actuator
239072	MultiCyclone 12/16 Auto Purge System 2 actuators

The MultiCyclone Auto Purge System is designed to automatically control the purging of captured debris collected by Waterco's residential or commercial MultiCyclone's and uses the latest controller system for easy operation.

- Setable 1 to 99 day purging cycle interval
- Setable 3 to 180 second purging duration
- Setable 5 to 60 second valve rotating time, 25sec default



MultiCyclone 12/16 Auto Purge System 1 actuator



MultiCyclone 12/16 Auto Purge System 2 actuators

MULTICYCLONE PRO

Centrifugal Pre-filtration 7 Bar

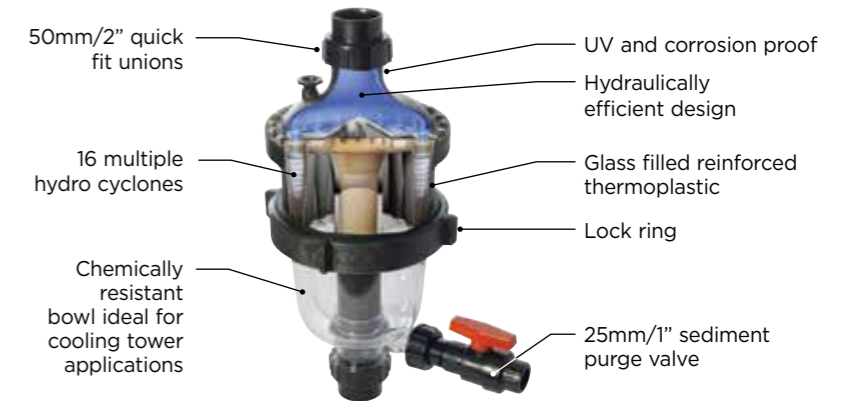


MULTICYCLONE PRO

Part Number	Product Description	Nominal Size
2003850	MultiCyclone Pro CT	50mm

Centrifugal water filtration

The MultiCyclone works on the basis of centrifugal water filtration. There are no moving parts to wear and tear, and no filter media to clean or replace.



Waterco's award winning MultiCyclone is a brilliant pre-filtration device that works on the basis of centrifugal water filtration and is designed with no moving parts and no filter media to clean or replace.

- Minimises filter maintenance and saves water
- No filter media to clean or replace
- Suitable for new and existing installations
- 2 year warranty

Maintenance

The MultiCyclone is easily cleaned by opening its purge valve. Only 15 litres of water is discharged to cleanse the MultiCyclone.

- Incoming water enters 16 hydro cyclones tangentially, generating a strong centrifugal effect.
- The sediment is spun out to the hydro cyclone's wall, and then spirals down to the sediment chamber*.
- The filtered water migrates towards the centre of the hydro cyclone where the flow reverses and spirals upwards through the outlet.
- Accumulation of sediment can be visibly monitored through the MultiCyclone's clear sediment chamber.

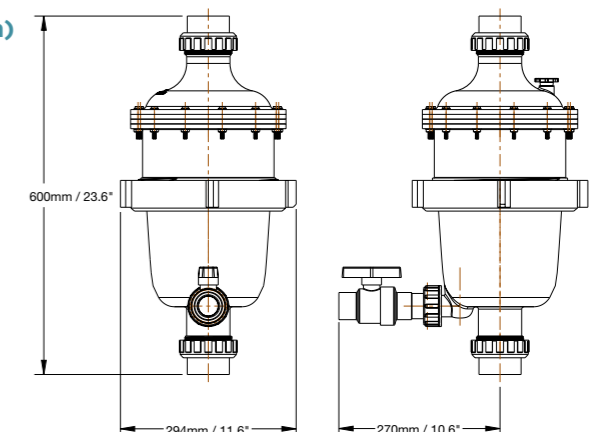
*Note: The MultiCyclone is designed to filter sediment that is heavier than water, floating debris cannot be filtered out by centrifugal filtration.



Technical Specifications

Model	Connection Ports	Minimum Flow	Maximum Flow	Maximum Pressure
MultiCyclone 16	50mm / 2"	50 lpm / 3m ³ /hr	500 lpm / 30m ³ /hr	690 kPa (100psi)

Dimension (mm/in)



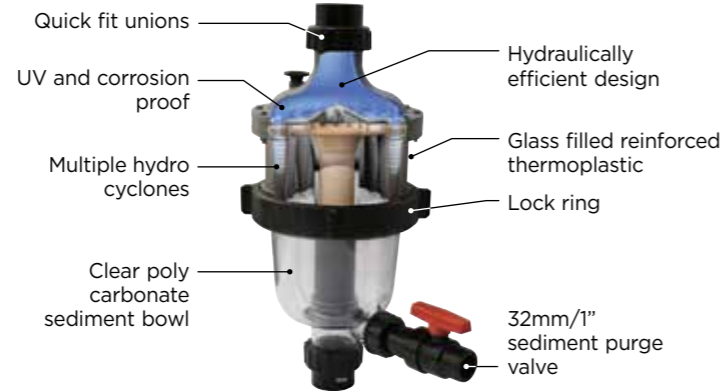
MULTICYCLONE 12 & 16

Centrifugal Pre-filtration 3.5 Bar



MULTICYCLONE 12 & 16

Part Number	Product Description	Nominal Size
200370	MultiCyclone MC16	50mm
200371	MultiCyclone MC12	40mm



Incoming water enters hydro-cyclones tangentially, generating a strong centrifugal effect. The sediment is spun out to the hydro-cyclone's wall, and then spirals down to the sediment chamber. The filtered water migrates towards the centre of the hydro cyclone where the flow reverses and spirals upwards through the outlet.



Accumulation of sediment can be visibly monitored through the MultiCyclone's clear sediment chamber.

The MultiCyclone is easily cleaned by opening the valve. Only 15 litres of water is discharged to cleanse the MultiCyclone. MultiCyclone is easy to install and fits to most existing filtration systems. There are no moving parts to wear out and replace and it's backed by Waterco's 2 year warranty.

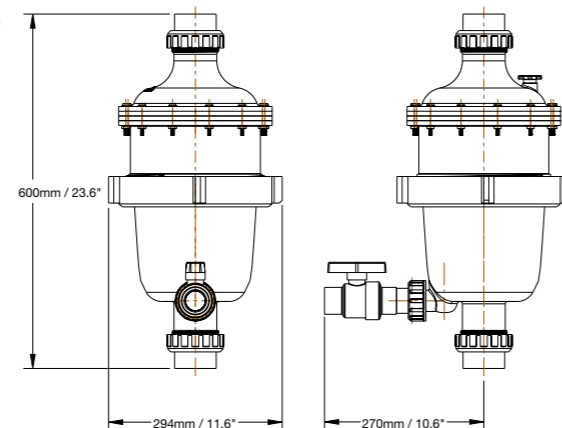


Waterco's MultiCyclone can reduce media filter backwashing by a factor of 4.

Technical Specifications

Model	Hydrocyclones	Connection Ports	Minimum Flow	Maximum Flow	Maximum Pressure
MultiCyclone 12	12	40mm / 1.5"	40 lpm / 2.4m ³ /hr	300 lpm / 18m ³ /hr	350 kPa (50psi)
MultiCyclone 16	16	50mm / 2"	50 lpm / 3m ³ /hr	500 lpm / 30m ³ /hr	350 kPa (50psi)

Dimension (mm/in)



TRIMLINE LEAF TRAPPER



TRIMLINE LEAF TRAPPER - Bags are not included

Part Number	Product Description
3761053	Trimline C50 Leaf Trapper - without filter bag
36519265	800 Micron Filter Bag

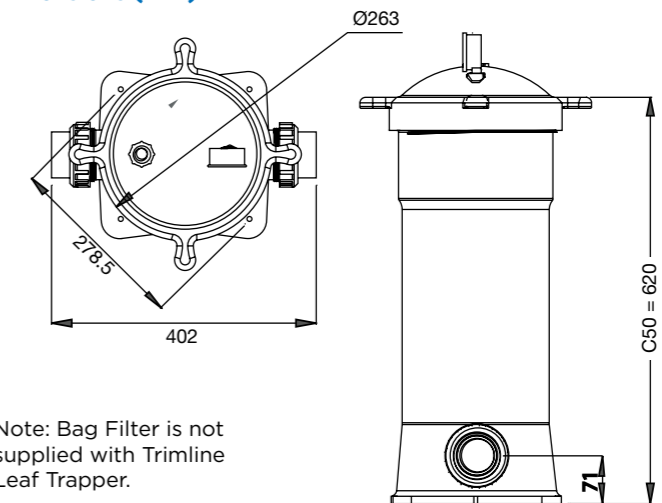
The Trimline Leaf Trapper incorporates a high quality and durable bag filter that enables high volume leaf & debris capture. The lid is clear for quick visual inspection of the Leaf Trapper's filter bag. The Trimline Leaf Trapper is ideal for installation in areas of high leaf & debris collection prior to a pool's finer filtration system. It is compact & economical, perfect for negative edge pools and in floor cleaning systems.

- Large filter bag
- One piece mould construction
- Able to withstand up to 350kPa (50psi)

Trimline Leaf Trapper Specification

LEAF TRAPPER SPECIFICATIONS	
Max Flow Rate	340lpm
Required clearance for servicing	530mm
Maximum pressure	350kPa
Maximum temperature	40°C
FILTER BAG SPECIFICATIONS	
Surface Area	0.17m ²
Diameter	178mm
Length	419mm
FILTER BAG PRODUCT CODE	
36519265	Manufactured with Nylon 800 microns

Dimensions (mm)



Note: Bag Filter is not supplied with Trimline Leaf Trapper.



HYDRO 5000 STRAINER



Hydro5000 commercial strainer's main body is constructed from an injection moulded glass reinforced thermoplastic. It's seamless one piece consists of no welds or seams or special tank linings which can corrode or electrolyse.

Hydro5000 strainers weigh less than a 1/3 the weight of its steel counterparts without any compromise in strength and durability.

- Clear polycarbonate strainer lid enables an instant view of the strainer basket
- Lock ring with easy grip handles
- 6" Flanged Ports
- Moulded 16L polypropylene basket.
- Maximum Working Pressure: 3.5 Bar / 50 ps

COMMERCIAL PUMPS

For a full range of Waterco pumps available, see our website: waterco.com.au

Hydro 5000 Commercial Strainer

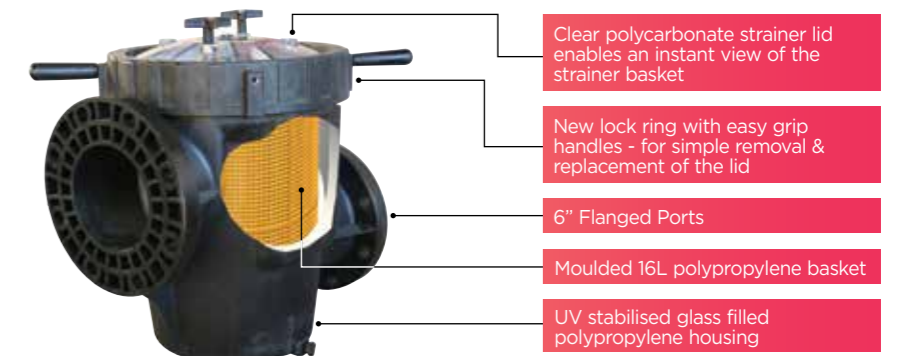
Designed and built for high performance and reliability



HYDRO5000 COMMERCIAL STRAINER

Part Number	Product Description	Nominal Size
2409058	Hydro5000 Commercial Strainer Suction 6" ANSI Flange/ Discharge 6" ANSI Flange	6"/6"
2409057	Hydro5000 Commercial Strainer Suction 4" JIS Flange/ Discharge 6" ANSI Flange	4"/6"
2409056	Hydro5000 Commercial Strainer Suction 4" Threaded/ Discharge 6" ANSI Flange	4"/6"
2408055	Hydro5000 Commercial Strainer Suction 6" ANSI Flange/ Discharge 4" JIS Flange	6"/4"
2408054	Hydro5000 Commercial Strainer Suction 4" Threaded/ Discharge 4" JIS Flange	4"/4"

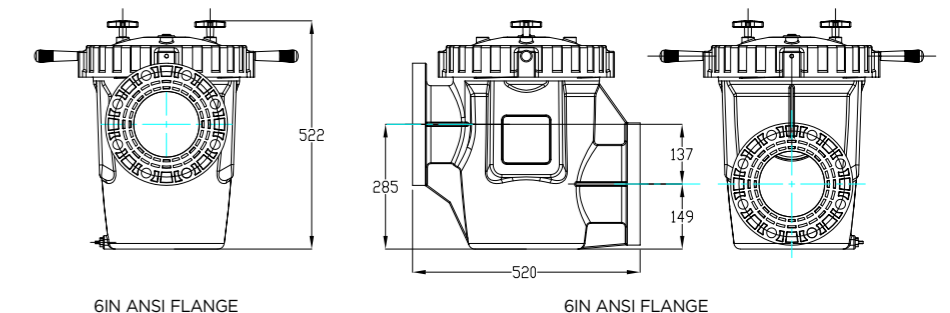
Features



Technical data

Ports	: 4" or 6" flanged ports
Maximum Flow Rate	: 2,550 lpm
Maximum Working Pressure:	3.5 Bar (50 PSI)
Basket Area	: 0.29m ²
Free Area	: 0.19m ²
Mesh hole height	: 5.5mm
Average mesh hole width	: 5.125mm

Dimension (mm)



Hydrostar Plus 1450

Commercial high performance corrosion resistant thermoplastic pumps



Hydrostar Plus 1450 pumps are high-performance corrosion-resistant thermoplastic pumps equipped with a 6" flanged inlet port and 4" flanged outlet port. The pump's 4 pole motor runs at 1450 rpm making them ideal for high water flow applications such as aquatic facilities, water parks and large commercial swimming pools.

Hydrostar Plus 1450 pump's main body is constructed from an injection moulded glass reinforced thermoplastic. Glass reinforced thermoplastic possesses superior mechanical and chemical resistance to steel.

Warranty

Pumps	Motor and Wet End	2 years
-------	-------------------	---------

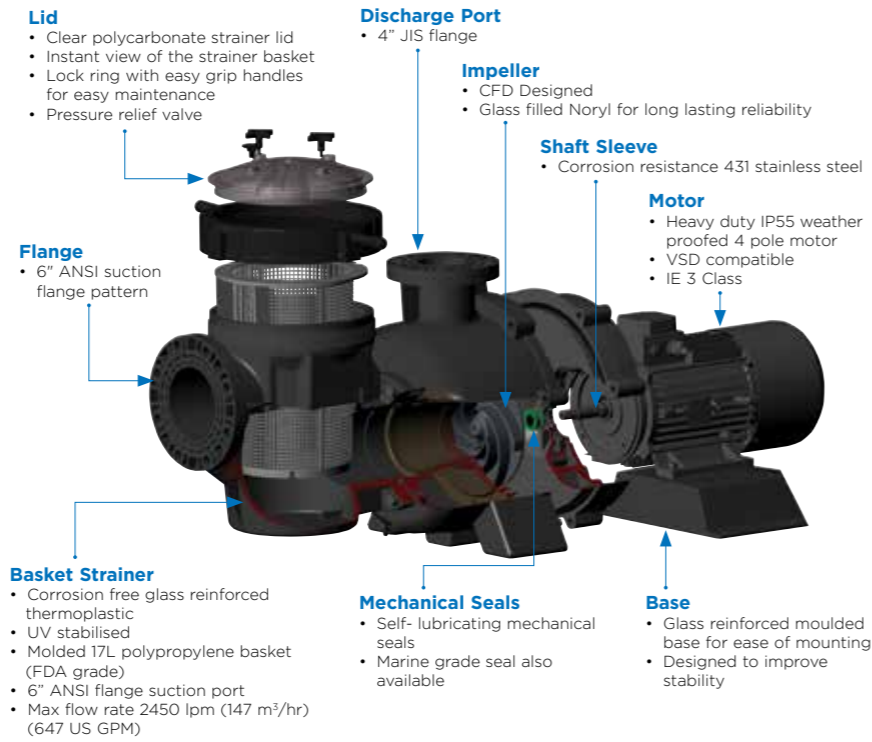
* Please refer to Waterco's warranty terms and conditions

WATERCO HYDROSTAR PLUS - Three Phase 400v With Strainer

Part Number	Product Description	Q.Max	H.Max
2470500	Hydrostar PLUS 1450 3.7kW	105.20m ³ /hr	17.9m ³
2470750	Hydrostar PLUS 1450 5.5kW	125.80m ³ /hr	19.1m ³
2471000	Hydrostar PLUS 1450 7.5kW	147.20m ³ /hr	20.7m ³

HYDROSTAR PLUS PUMPS - with Standard Seals (1 year warranty) Without Strainer

Part Number	Product Description	Nominal Size
2470501	Hydrostar PLUS 1450 3.7kW	5.0hp/3.7kw
2470751	Hydrostar PLUS 1450 5.5kW	7.5hp/5.5kw
2471001	Hydrostar PLUS 1450 7.5kW	10.0hp/7.5kw
12161002	Hydrostar PLUS Flange Kits	6"ANSI/4"JIS
12161001	Hydrostar PLUS Flange Kits	6"AS/NZ/4"JIS.



Material

Motor Bracket	GF Polypropylene	Seal Assembly	Alumina Ceramic/SS316/Carbon (Silicon Carbide optional)
Pump Bracket	GF Polypropylene	Impeller	GF Noryl
Pump Body	GF Polypropylene	Diffuser	GF Polypropylene
Pump Body O Ring	NBR	Lock Ring	GF Noryl

Technical Specifications

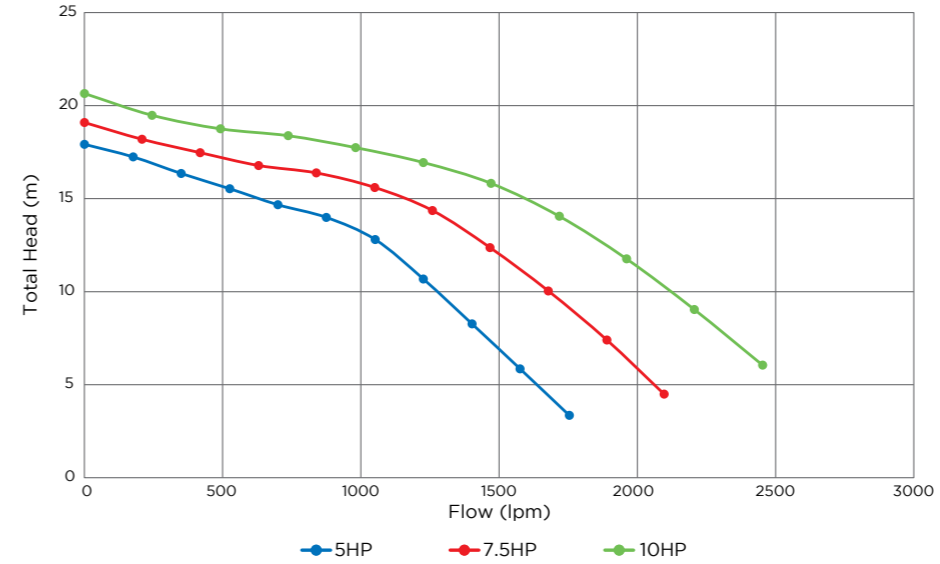
Model	Input Power		Amps	Weight (kg)	Total Length (mm)	Motor Input Power (kW)	Motor I _{max} (Amp)
	kW	HP					
3.7kW	4.16	5.57	8.7	89	1236	4.19	8.7
5.5kW	5.75	7.70	11.8	96	1274	6.14	11.8
7.5kW	7.76	10.40	16.3	112	1340	8.30	16.1

Phase	Volts	Cycle	RPM	Motor IP Rating	Pump IP Rating
3	400	50Hz	1450	IP55	X5

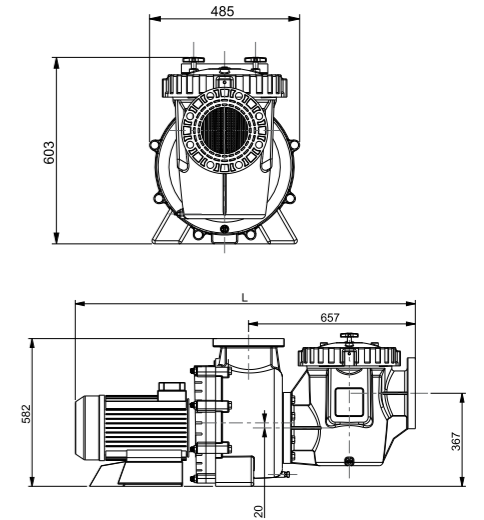
Hydrostar Plus 1450

Commercial high performance corrosion resistant thermoplastic pumps

Performance Chart

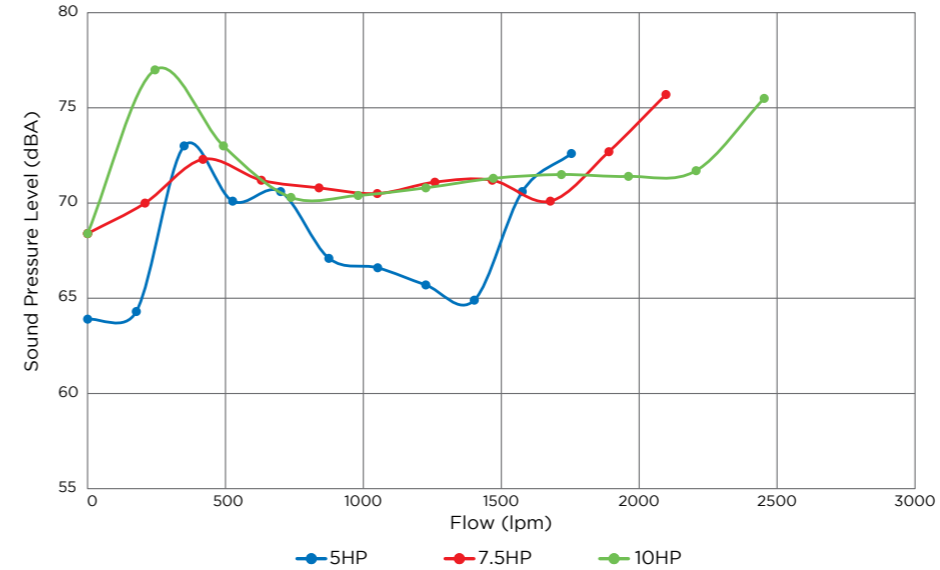


Dimensions



Pump Model	L (mm)
3.7kW	1236
5.5kW	1274
7.5kW	1340

Sound levels



HYDROSTAR PLUS FLANGE KITS

Part Number	Product Description
12161002	Hydrostar Plus Flange Kits 6" Suction : 6" ANSI Pipe OD 6.625" (168.3mm) 4" Discharge : 4" JIS Pipe OD 114mm
12161001	Hydrostar Plus Flange Kits 6"AS/NZ/4"JIS

Contains 1*6" ANSI suction flange and gasket, 1*4" JIS discharge flange and gasket, SS316 hardware; 90mm suction side bolts/80mm discharge side bolts, washers and nuts.



COMMERCIAL PUMPS

For a full range of Waterco pumps available, see our website: waterco.com.au

Hydrostar Plus

Commercial high performance corrosion resistant thermoplastic pumps



HYDROSTAR PLUS PUMPS - with Marine Seals (3 year warranty)

Part Number	Product Description	Nominal Size
24607504	Hydrostar PLUS 5.5kW c/w Marine Seal	7.5hp/5.5kW
24610004	Hydrostar PLUS 7.5kW c/w Marine Seal	10.0hp/7.5kW
24612504	Hydrostar PLUS 9.5kW c/w Marine Seal	14.0hp/9.5kW
24615004	Hydrostar PLUS 11.0kW c/w Marine Seal	15.0hp/11kW
12161002	Hydrostar PLUS Flange Kits	6" ANSI/4" JIS
12161001	Hydrostar PLUS Flange Kits	6" AS/NZ/4" JIS

Material

Motor Bracket	GF Polypropylene	Diffuser	GF Polypropylene
Pump Bracket	GF Polypropylene	Pump Body	GF Polypropylene
Pump Body O Ring	NBR	Strainer Basket	Polypropylene
Seal Assembly	Alumina Ceramic/SS316/Carbon (Silicon Carbide optional)	Strainer Lid	Polycarbonate
Impeller	GF Noryl	Lock Ring	GF Noryl

Construction Materials

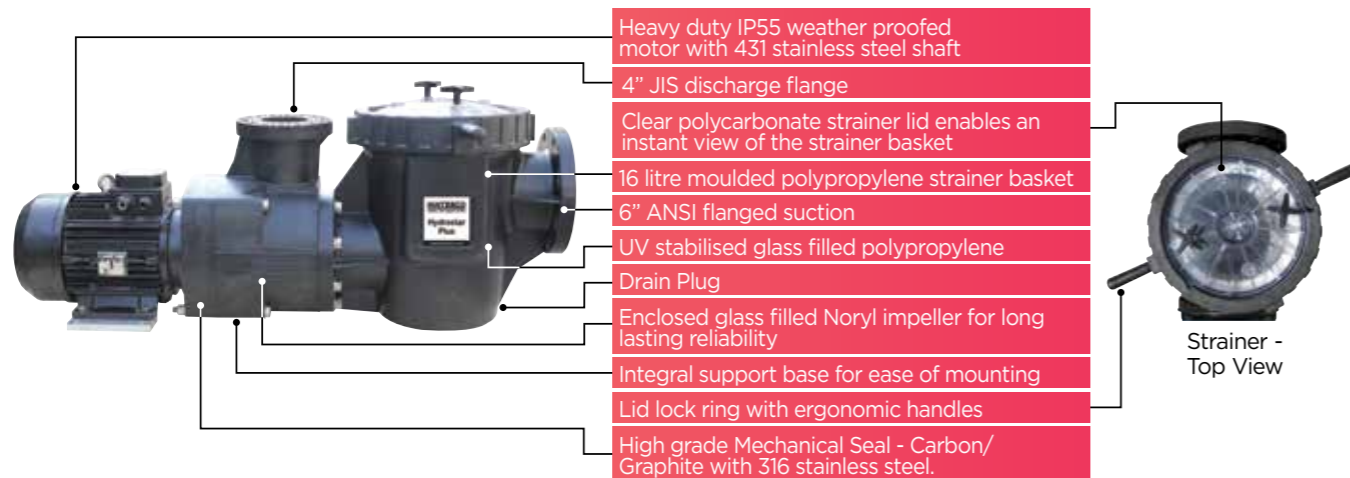
Housing	: Polypropylene (comply with NSF50)
Basket	: Polypropylene (FDA-grade)
Lid	: Polycarbonate

Purpose built for aquatic facilities, water parks and large commercial swimming pools. Hydrostar Plus pumps are high performance corrosion resistant thermoplastic pumps.

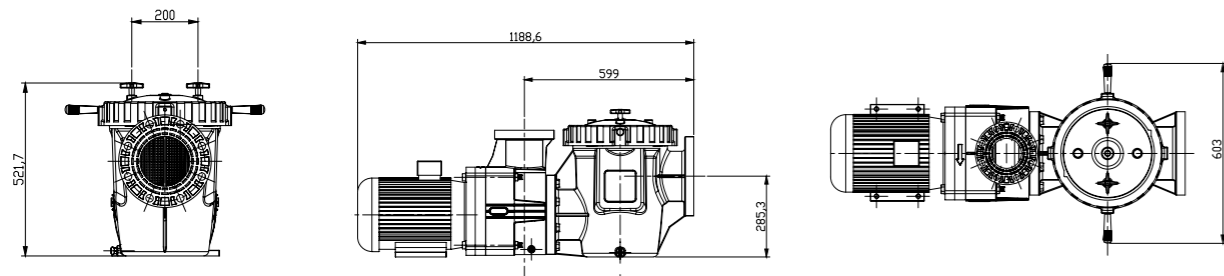
Warranty

Pumps	
Motor and Wet End	2 years

* Please refer to Waterco's warranty terms and conditions



Dimension



COMMERCIAL PUMPS

For a full range of Waterco pumps available, see our website: waterco.com.au

Hydrostar Plus

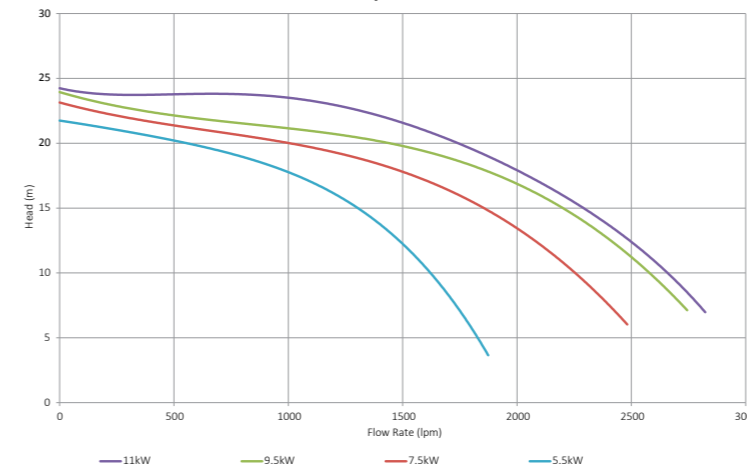
Commercial high performance corrosion resistant thermoplastic pumps

Technical Specifications

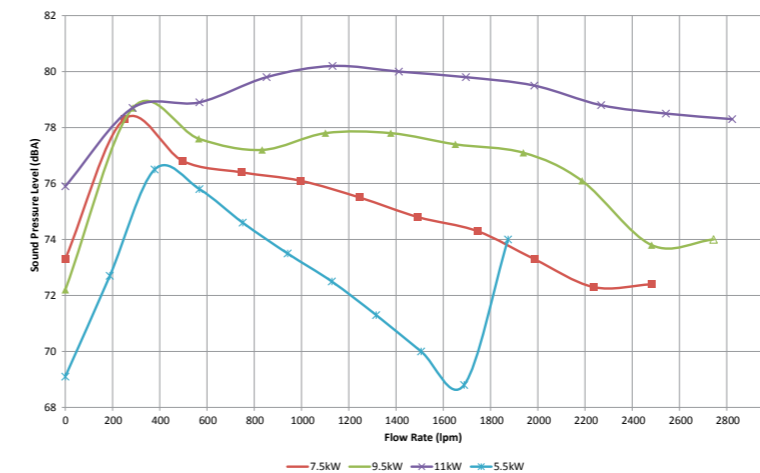
Pump Code	Model	Pump Input Power		Amps	Phase	Volts	Weight (kg)	Total Length	Motor Input Power (kW)	Motor Frame	Pump Rating	Motor RPM
		(kW)	(HP)									
24607504	5.5kW	5.8	7.8	10.4	3	380-415	73	1190	6.2	132	IPX5	2930
24610004	7.5kW	8.3	11.1	14.6	3	380-415	75	1190	8.5	132	IPX5	2940
24612504	9.5kW	9.9	13.3	17.7	3	380-415	91	1218	10.5	132	IPX5	2960
24615004	11kW	11.4	15.3	20.3	3	380-415	92	1218	12.3	132	IPX5	2940

Phase	Volts	Cycle	RPM
3	380 - 415	50	2940

Performance Chart



Sound levels



NEW Flange kits

HYDROSTAR PLUS FLANGE KITS

Part Number	Product Description
12161002	Hydrostar Plus Flange Kits 6" Suction : 6" ANSI Pipe OD 6.625" (168.3mm) 4" Discharge : 4" JIS Pipe OD 114mm
12161001	Hydrostar Plus Flange Kits 6" AS/NZ/4" JIS

Each kit contains 1*either 6"AS/NZ or 6"ANSI suction flange and gasket, 1*4" JIS discharge flange and gasket, SS316 hardware; 90mm suction side bolts/80mm discharge side bolts, washers and nuts.

Hydrostar MKIV

Power pumps



- UV stabilised glass-filled polypropylene housing
- Clear polycarbonate strainer lid for quick inspection
- Lid lock ring with ergonomic handles – simple removal & replacement of the lid without the use of additional tools
- 6 litres moulded polypropylene strainer basket
- Heavy duty IP55 weather proofed motor with 431 stainless steel shaft
- Enclosed glass filled Noryl impeller for long-lasting reliability
- Available in 4.0, 5.7 and 7.2 HP
- 3" half union connections
- Drain plugs

HYDROSTAR MKIV PUMPS - with Marine Seals (3 year warranty)

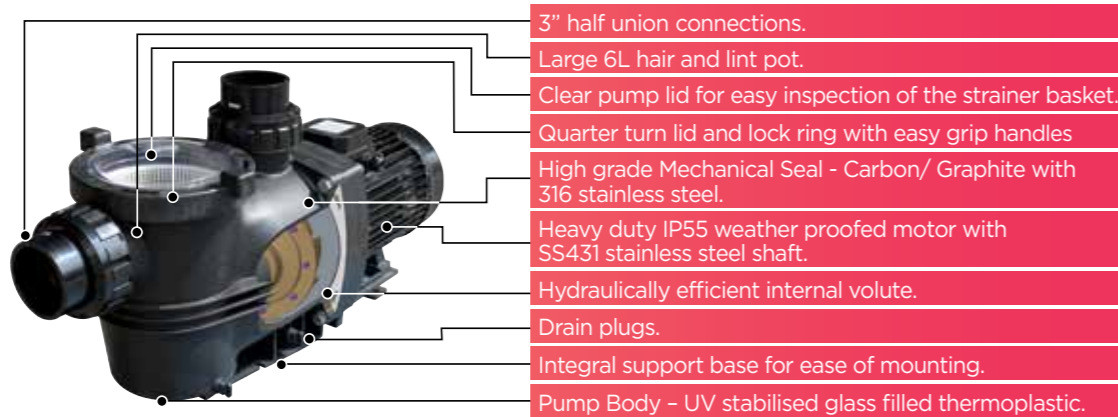
Part Number	Product Description	Nominal Size
240420034	Hydrostar 200 MK4 IE3 - 65mm (3 phase) c/w Marine Seal	1.9hp
240430033384	Hydrostar 300 MK4 IE3 - 80mm (3 phase) c/w Marine Seal	2.7hp
24044003334	Hydrostar 400 MK4 IE3 - 80mm ports (3 phase) c/w Marine Seal	4.0hp
24045503334	Hydrostar 550 MK4 IE3 - 80mm ports (3 phase) c/w Marine Seal	5.7hp
24047003334	Hydrostar 700 MK4 IE3 - 80mm ports (3 phase) c/w Marine Seal	7.2hp

The Hydrostar MKIV has been designed to provide a substantially quieter operation with even higher flow rates and higher head than previous Hydrostar models. Waterco has optimised the pump's hydraulic efficiency by **reshaping its internal and external profile.**

Technical Specifications

Pump Code	Model	Pump Input Power		Amps/Phase	Weight (kg)	Total Length (mm)	Motor Frame	Motor input		RPM
		(kW)	(hp)					(kW)		
240420034	200 MK4 IE3	1.4	1.9	2.8	24	777	80	1.8		2860
240430033384	300 MK4 IE3	2.0	2.7	4.2	28	822	90	2.6		2908
24044003334	400 MK4 IE3	3.0	4	5.8	41	846	100	3.4		2890
24045503334	550 MK4 IE3	4.3	5.7	8.1	50	867	112	5.0		2930
24047003334	700 MK4 IE3	5.4	7.2	10.3	54	929	112	6.2		2917

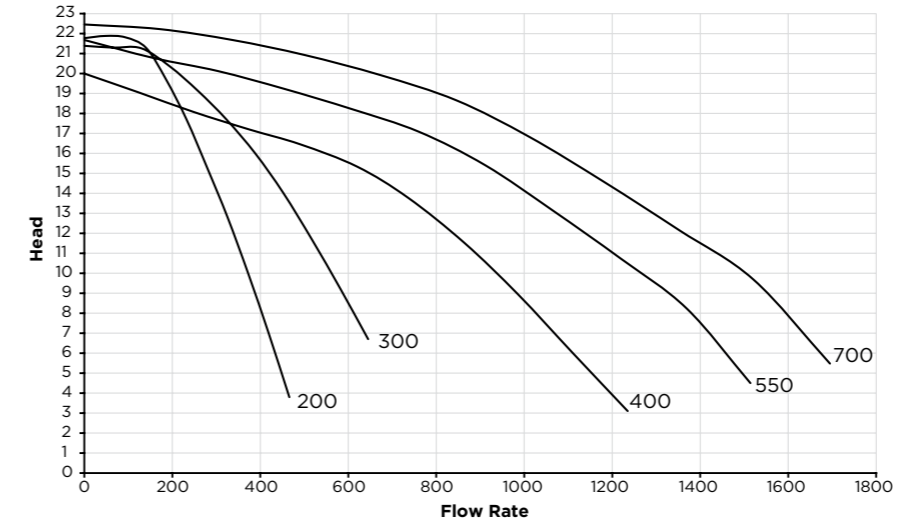
Phase	Volts	Cycle	Motor IP Rating	Pump Rating
3	380 - 415	50	55	X5



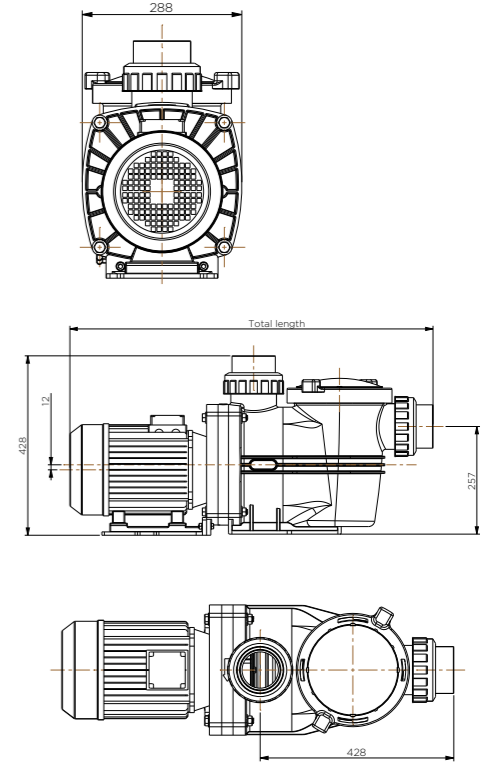
Hydrostar MKIV

Power pumps

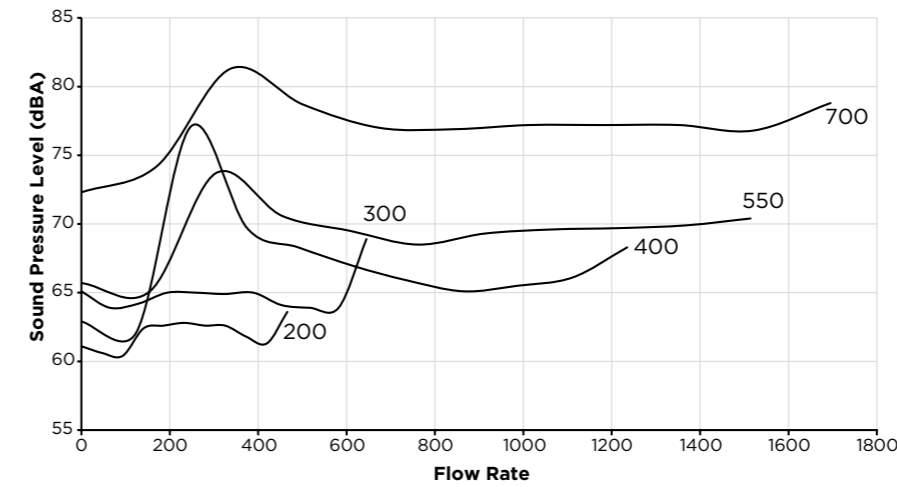
Performance Chart



Dimensions



Sound Levels



SEA WATER MECHANICAL SEAL

Part Number	Product Description
63401625	Sea water mechanical seal 3/4"

Hydrostorm Plus

Extra power, higher performance



HYDROSTORM PLUS PUMPS - High Head (3 year warranty)

Part Number	Product Description	Nominal Size
2405250	Hydrostorm Plus 250 - 50mm ports (1 phase)	2.50hp
2405300	Hydrostorm Plus 300 - 65mm ports (1 phase)	3.00hp

The Hydrostorm plus has all the proven features of the Hydrostorm with the addition of an innovative lid & lock ring for easier maintenance and a larger strainer basket for increased capacity.

- 2.25 L strainer basket.

Technical Specifications

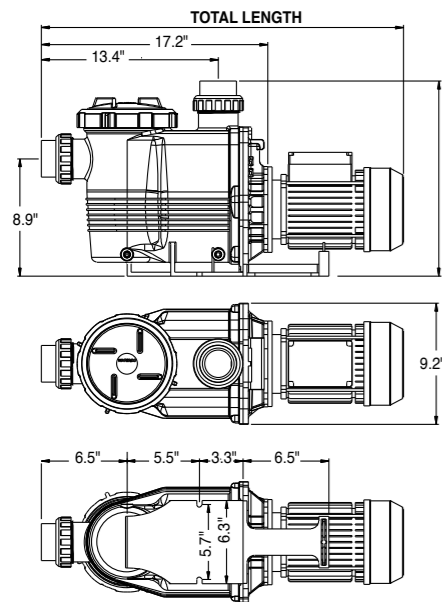
Model	Flow Rate (lpm)		Nom. HP	kW	Amps	Phase	Total Length (mm)	Motor Frame (mm)	Inlet/Outlet
	8m	10m							
Hydrostorm Plus 250	470	440	2.5	1.88	8.2	1	678	80	65mm ports x / 50mm unions
Hydrostorm Plus 300	540	500	3	2.02	9.3*	1	730	90	65mm ports x / 50mm unions

Please Note: Hydrostorm Plus 3 phase models are available on request. *15 Amp Power Lead Plug.

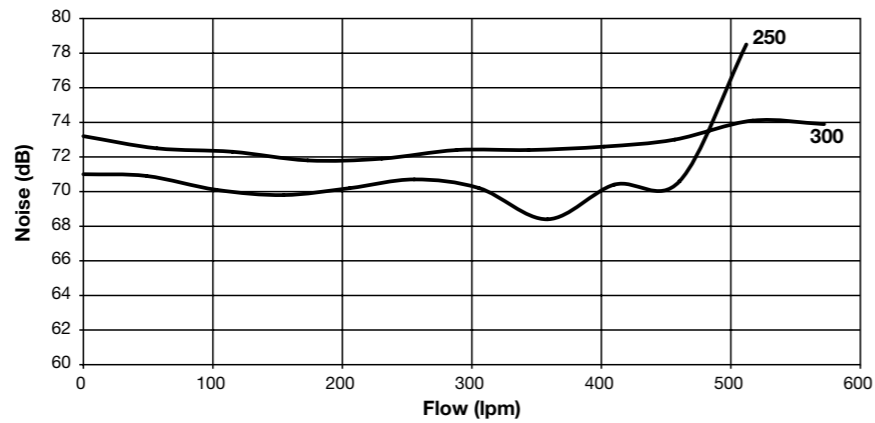
*Minimum order quantities required

Phase	Volts	Cycle	RPM
1	220-240	50	2860

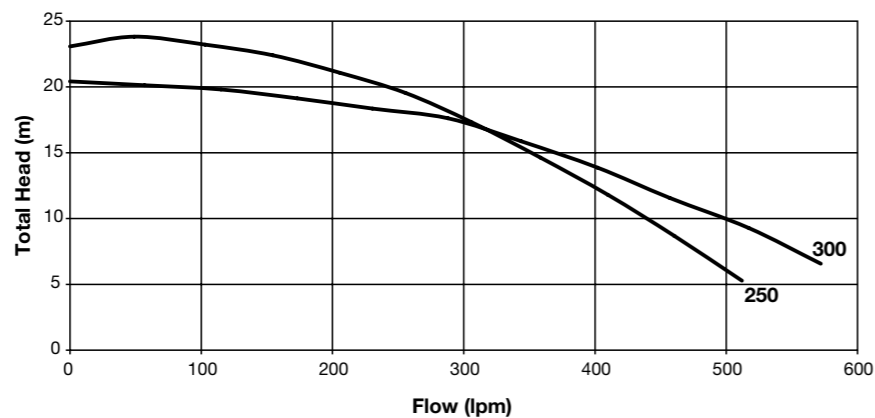
Dimension



Hydrostorm Plus Sound Levels



Hydrostorm Plus Flow Curves



Hydrostorm

Extra power, higher performance



HYDROSTORM PUMPS - High Head - 50mm ports (3 year warranty)

Part Number	Product Description	Nominal Size
244100	Hydrostorm 100 - 50mm ports (1 phase)	1.00hp
244150	Hydrostorm 150 - 50mm ports (1 phase)	1.50hp
244200	Hydrostorm 200 - 50mm ports (1 phase)	2.00hp

Marine Grade Seal versions

2441004	Hydrostorm 100 - 50mm ports (1 phase) with marine grade seal	1.00hp
2441504	Hydrostorm 150 - 50mm ports (1 phase) with marine grade seal	1.50hp

The Hydrostorm is designed to have all the extra power you need to cope with modern day swimming pool designs.

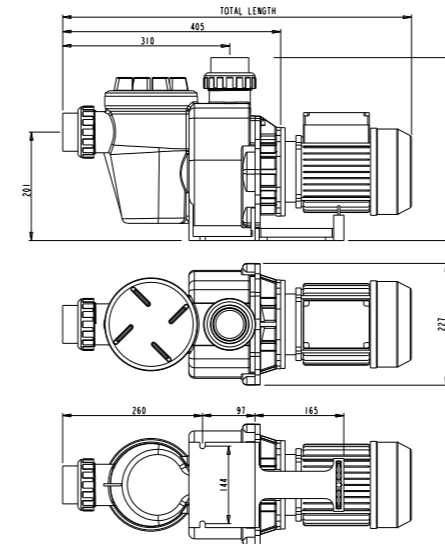
- 2.1 L strainer basket.

Technical Specifications

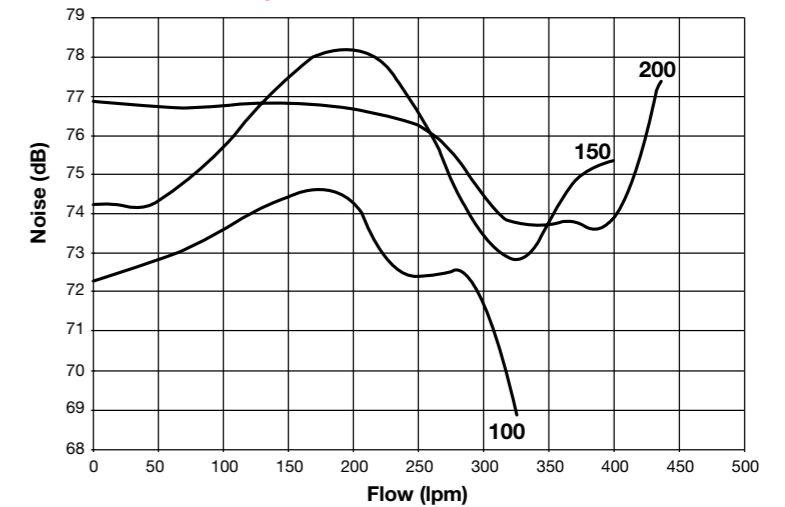
Model	Flow Rate (lpm)		Nom. HP	kW	Amps	Phase	Total Length (mm)	Motor Frame (mm)	Inlet/Outlet
	8m	10m							
Hydrostorm 100	250	225	1	0.91	4.00	1	600	71	50mm ports x / 50mm unions
Hydrostorm 150	350	315	1.5	1.31	5.80	1	647	80	50mm ports x / 50mm unions
Hydrostorm 200	370	350	2	1.46	6.60	1	647	80	50mm ports x / 50mm unions

Phase	Volts	Cycle	RPM
1	220-240	50	2860

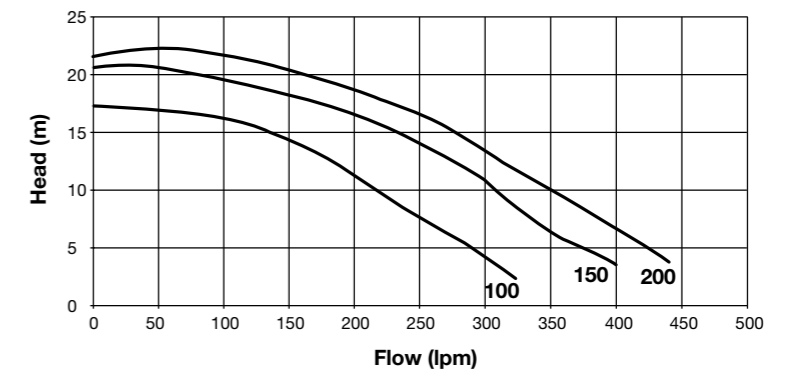
Dimension



Hydrostorm Sound Levels



Hydrostorm Flow Curves



VARIABLE SPEED

For a full range of Waterco pumps available, see our website: waterco.com.au

Hydrostorm ECO-V

Energy Saving Variable 3 Speed Pump

Motor protection bracket. This protection bracket adds a 61mm separation between the pump wet end and motor. The bracket also has larger drain holes for improved draining of any water leaks due to long term usage wear of the main mechanical seal.



HYDROSTORM ECO-V PUMPS

Part Number	Product Description	Nominal Size
24415090	Hydrostorm 150 ECO-V with Comm. Cable	1.50hp
2441509	Hydrostorm 150 ECO-V - 50mm Ports (1 phase)	1.50hp
24410090	Hydrostorm 100 ECO-V with Comm. Cable	1.00hp
2441009	Hydrostorm 100 ECO-V - 50mm ports (1 phase)	1.00hp

Hydrostorm ECO-V Pump - with Marine Seals (3 year warranty)

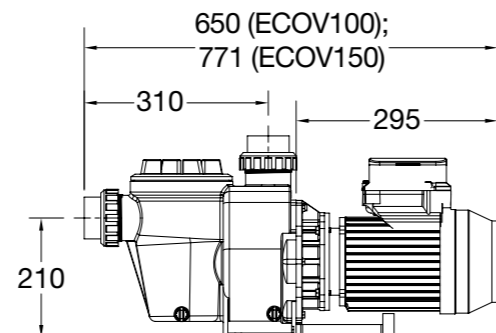
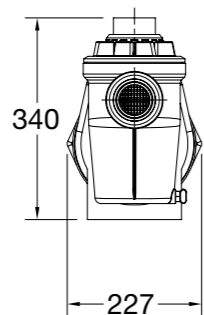
Part Number	Product Description	Nominal Size
24415094	Hydrostorm 150 ECO-V C/W Marine Seal	1.50hp



Key Features

1. Variable 3 speed control panel, IP55 rating
2. Permanent magnet brushless Variable 3 speed D motor
3. UV stabilised & corrosion resistant
4. 50mm quick connect barrel unions for UPV pipe
5. Iear basket lid & large 2.1lt strainer basket
6. High grade carbon/graphite mechanical seal with 316 stainless steel spring assembly
7. Strong single piece glass filled thermoplastic pump body
8. Drain plugs
9. Stable support base
10. Hydraulically efficient impeller and diffuser design
11. Fan cooled thermal overload protection

Dimension (mm)



VARIABLE SPEED

For a full range of Waterco pumps available, see our website: waterco.com.au

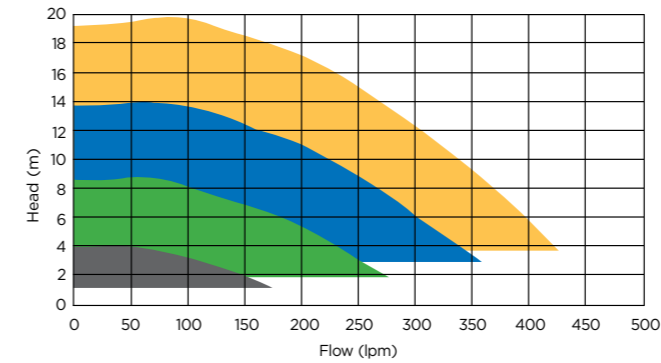
Hydrostorm ECO-V

Energy Saving Variable 3 Speed Pump

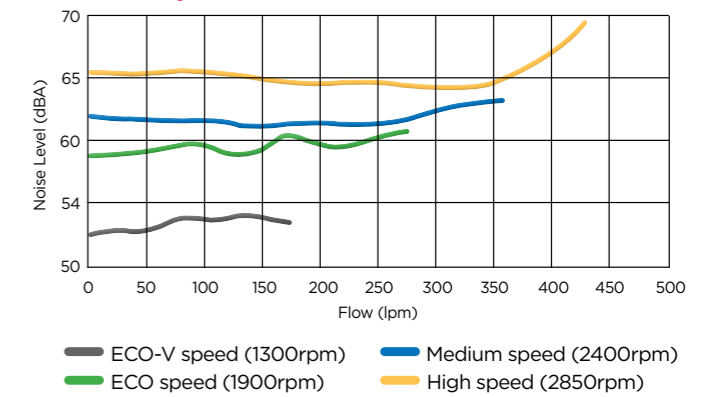
Specifications

Model	Length (mm)	Height (mm)	Width (mm)	Packaged Weight (kg)	Inlet/Outlet (mm)	Strainer Basket (mm)
ECO-V 150	771	340	227	12	50	2.1
ECO-V 100	650	340	227	12	50	2.1

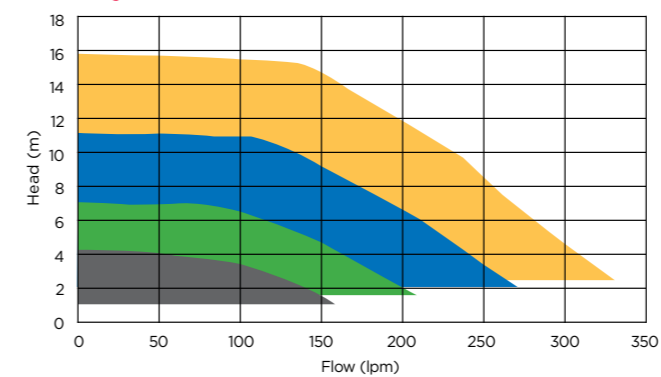
Hydrostorm ECO-V 150 Performance Curves



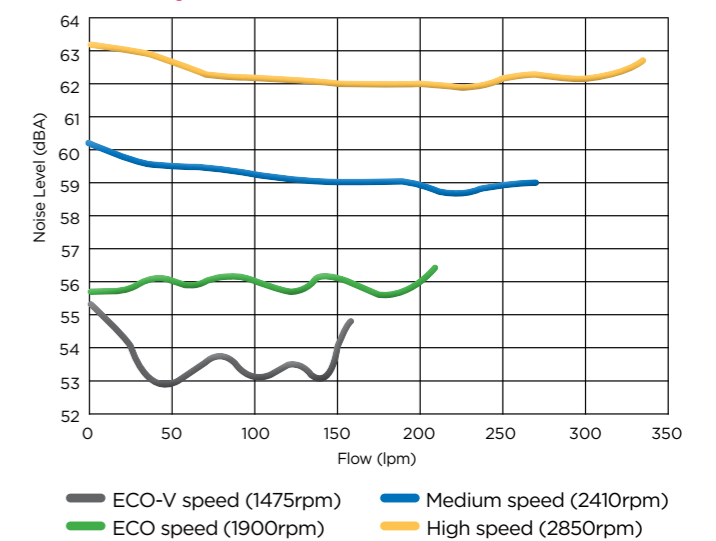
Hydrostorm ECO-V 150 Noise Levels



Hydrostorm ECO-V 100 Performance Curves



Hydrostorm ECO-V 100 Noise Levels



COMMERCIAL POOL PUMPS

For a full range of Waterco pumps available, see our website: waterco.com.au

TurboFlo

Multipurpose high performance pumps



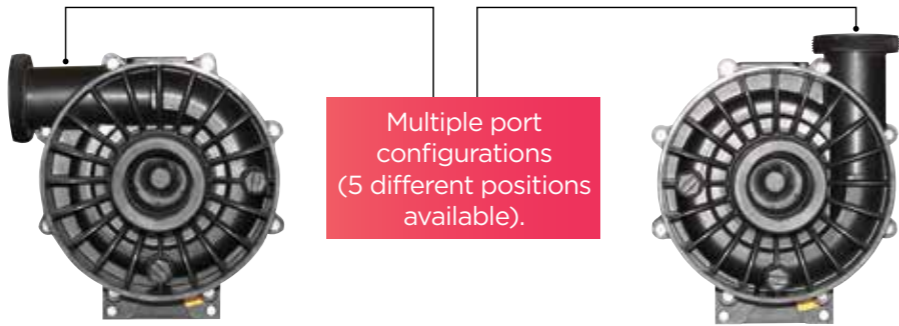
TurboFlo is a hydraulically efficient, high performance pump designed for pools and spas with high power requirements. It has an adjustable wet end which can be configured to suit up to 5 different plumbing conditions.

TURBOFLO PUMPS (3 year warranty)

Part Number	Product Description	Nominal Size
2462100	TurboFlo 100 - 50mm ports (1 phase)	1.00hp
2462200	TurboFlo 200 - 50mm ports (1 phase)	2.00hp
2462300	TurboFlo 300 - 50mm ports (1 phase)	3.00hp

TURBOFLO PUMP (Marine Grade Seal)

Part Number	Product Description	Nominal Size
24621004	TurboFlo 100 - 50mm ports (1 phase) with marine grade seal	1.00hp
24622004	TurboFlo 200 - 50mm ports (1 phase) with marine grade seal	2.00hp



Technical Specifications

Model	Nominal Power (hP)	Motor Input (kW)	Amps	Phase	Total Length (mm)	Motor Frame (mm)	Weight (kg)	Inlet/Outlet
TurboFlo 100	1.00	0.94	4.1	1	445	71	10.4	50mm ports
TurboFlo 200	2.00	1.50	6.4	1	445	80	13.4	50mm ports
TurboFlo 300	3.00	2.10	9.1	1	483	90	16.9	50mm ports

Phase	Volts	Cycle	RPM
1	220-240	50	2860
3	380-420	50	2860

Warranty

Pumps	3 years (conditional)*
Wet End	3 years
Motor, mechanical seal, O'ring, basket & impeller	2 years
Commercial applications	1 year
Labour	1 year

* Please refer to Waterco's warranty terms and conditions

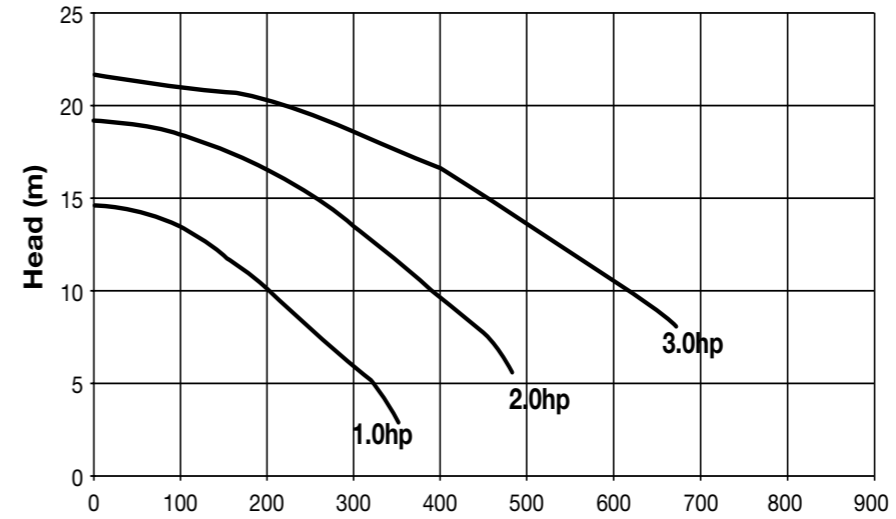
COMMERCIAL POOL PUMPS

For a full range of Waterco pumps available, see our website: waterco.com.au

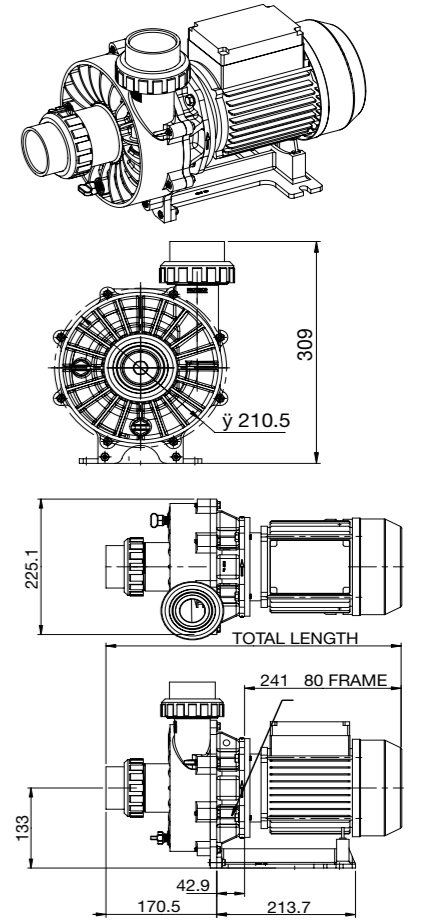
TurboFlo

Multipurpose high performance pumps

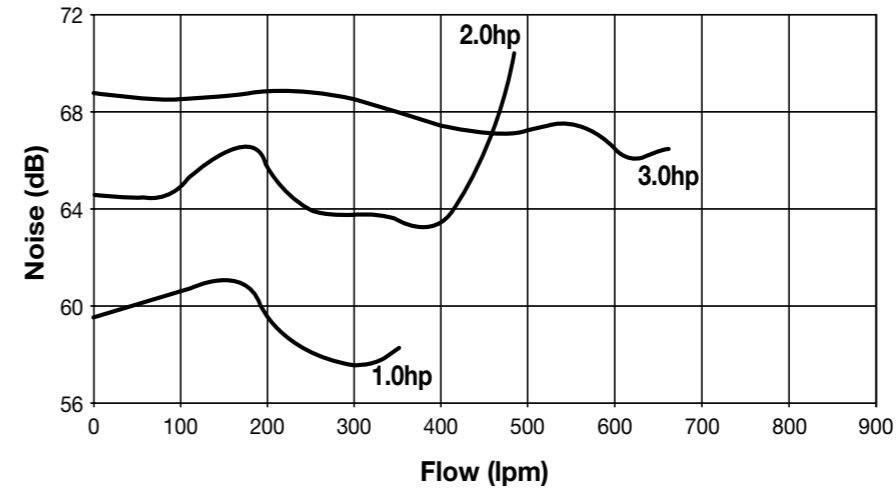
Flow Curve



Dimensions



Sound Levels



TurboFlo Aqua

Energy Saving Variable 3 Speed Pump



Turboflo Aqua is a hydraulically efficient, high-performance pump designed for KOI ponds that require a low speed, high powered pump.

Turboflo Aqua pumps are equipped with marine grade seals and manufactured for maximum reliability, efficiency and performance.

It has an adjustable wet end which can be configured to suit up to 5 different plumbing conditions.

Comes with Marine Seal installed



TURBOFLO AQUA - 50mm ports (3 year warranty)

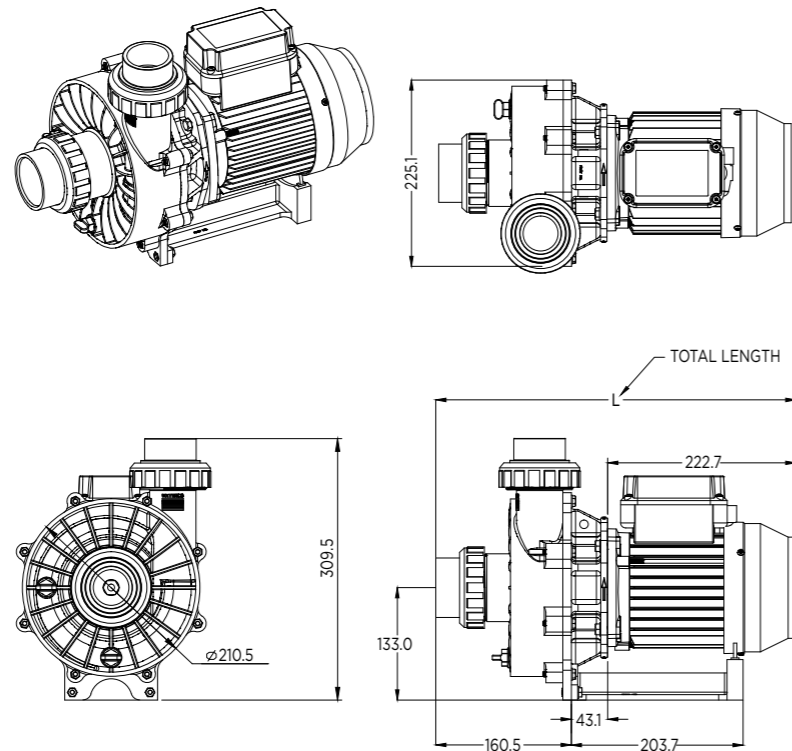
Part Number	Product Description
24620260	Turboflo Aqua 8000 pump
24620261	Turboflo Aqua 10000 pump
24620262	Turboflo Aquatic 12000 pump
24620263	Turboflo Aquatic 16000 pump
24620264	Turboflo Aquatic 21000 pump

Technical Specifications

Model	Maximum Power (hp)	Motor Input (kW)	Amps	Phase	Total Length (mm)	Motor RPM	Weight (kg)
Turboflo Aqua 8000	0.129	0.096	0.42	1	427	1400	10.1
Turboflo Aqua 10000	0.135	0.100	0.44	1	427	1400	10.1
Turboflo Aqua 12000	0.14	0.010	0.46	1	427	1400	10.1
Turboflo Aqua 16000	0.283	0.211	0.96	1	427	1400	10.8
Turboflo Aqua 21000	0.336	0.250	1.13	1	427	1400	10.8

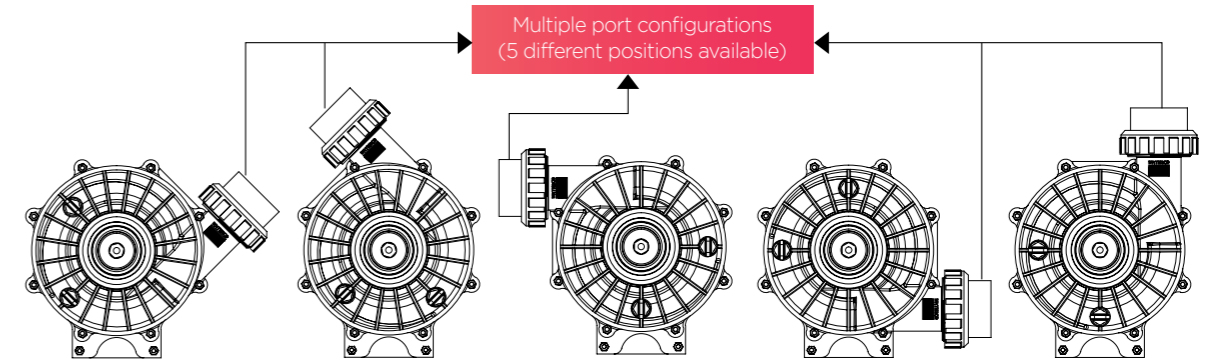
Phase	Volts	Cycle
1	220-240	50

Dimensions

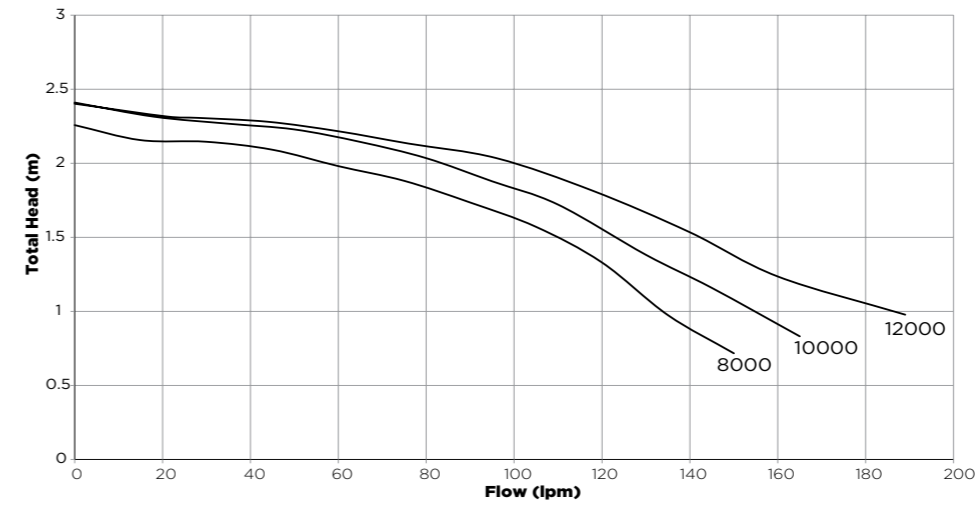


TurboFlo Aqua

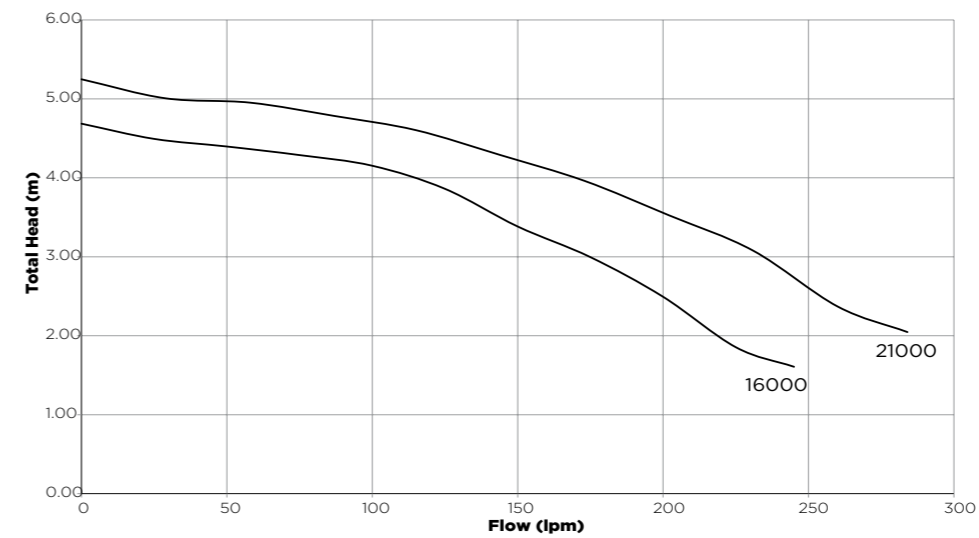
Energy Saving Variable 3 Speed Pump



Flow Curves



Flow Curves





Heaters



Electr Heat PRO inverter



ELECTROHEAT PRO

Part Number	Product Description	Nominal Size
27860006	Electroheat Pro 60 WIFI	60kW
27811506	Electroheat PRO 120 WIFI	120kW

The **Electroheat PRO 60 & 120 inverter** models are high-performance, energy efficient pool heat pumps designed for commercial applications. They are known for their powerful heating capacity and innovative inverter technology, which allows for precise temperature control and significant energy savings.

Key Features:

- **Inverter Technology:** This advanced technology allows the heat pump to adjust its power output based on the required heating load, optimising energy consumption and reducing operating costs.
- Heating, Cooling and Auto mode selection
- Intuitive touch control panel with WIFI / APP control
- **Quiet Operation:** The heat pump operates quietly, minimising disturbances to pool users and surrounding areas.
- **High Heating Capacity:** The PRO 60 & 120 are capable of efficiently heating and cooling large commercial pools, ensuring optimal water temperatures year-round.
- **Energy Efficiency:** The heat pump's advanced design and inverter technology contribute to its high coefficient of performance (COP), resulting in reduced energy consumption and lower electricity bills.
- **Durable Construction:** The PRO 60 & 120 are built with high-quality materials, including a corrosion-resistant titanium heat exchanger and aluminium alloy casing ensuring long-lasting performance.
- **Easy Installation and Maintenance:** The unit is designed for easy installation and maintenance, reducing downtime and increasing convenience.
- Heating, Cooling and Auto mode selection
- Heating Temperature range 18°C - 40°C
- Cooling temperature range 12°C - 30°C
- Intuitive touch control with WiFi and App control
- Aluminium alloy casing
- Titanium twisted coil exchangers for maximum heat transfer
- Blue fin dipped evaporator for enhanced heat absorption
- High performance Mitsubishi DC Inverter compressor
- Horizontal fans for maximum airflow
- Automatic hot gas de-icing for cold climates
- Easy to connect single in / out slip water connections
- Easy cable entry and electrical connection access
- Integral flow switch protecting equipment from operation when no flow is detected
- Warranty Domestic -
1 year labour, 7 years - titanium heat exchanger,
7 years - compressor,
5 years - all other components
- Warranty Commercial - 1 year labour and parts

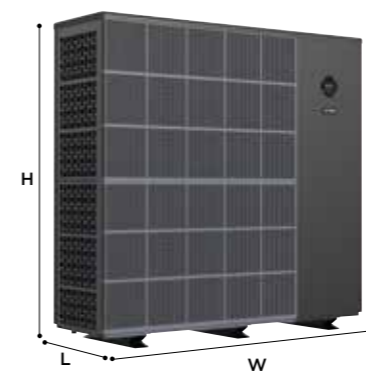


Electr Heat PRO inverter

Specifications

Model	60KW	120KW	
PERFORMANCE CONDITION: Air 27°C/ Water 27°C/ Humid. 80%			
Turbo Mode	Heating capacity (kW)	60.0	120.0
	COP range	6.2-15.1	6.0-15.0
	COP @ 50% speed	12.0	11.6
Perfect Mode	Heating capacity (kW)	48.5	96.0
	COP range	7.5-15.1	7.3-15.0
	COP @ 40% speed	12.7	12.5
PERFORMANCE CONDITION: Air 15°C/ Water 26°C/ Humid. 70%			
Turbo Mode	Heating capacity (kW)	42.0	85.5
	COP range	4.6-8.1	4.6-8
	COP @ 50% speed	7.5	7.3
Perfect Mode	Heating capacity (kW)	34.0	70.0
	COP range	5.6-8.1	5.5-8
	COP @ 40% speed	7.9	7.7
PERFORMANCE CONDITION: Air 35°C/ Water 28°C/ Humid. 80%			
Cooling capacity (kW)	25.0	48.0	
TECHNICAL SPECIFICATIONS			
Operating air temperature (°C)	-20-43°C		
Compressor	Mitsubishi DC Inverter Compressor		
Cabinet	Aluminium Alloy		
Heat exchanger	Twisted Titanium Heat Exchanger		
Fan direction	Horizontal		
Power supply	400 - 415V 3N- 50Hz AC		
Rated input power (kW)	1.88-7.50	3.89-15.55	
Rated input current (A)	2.72-10.87	5.64-22.54	
Sound level at 1m dB(A)	51.0-59.0	53.0-62.0	
Sound level 50% at 1m dB(A)	53	56	
Sound level at 10m dB(A)	30.0-39.0	33.0-41.0	
Water Flow (LPM)	330 - 400	670 - 830	
Water connection (mm)	65mm slip	100mm slip	
Net dimension LxWxH (mm)	1545 x 458 x 1630	2108 x 640 x 2040	
Net Weight (kg)	217	476	
Maximum input current (A)	19	42	
Min breaker rated current (A)	25	50	
Power cord (mm ²)	5 core x 4mm ²	5 core x 10mm ²	
Refrigerant Type	R32		
Refrigerant Weight (g)	4800	5200 x 2	

Dimensions



Clearance



Figure 1

Electr Heat PRO



The new generation Electroheat PRO heat pump is the latest advancement in commercial size swimming pool heating. The PRO 100 has been designed to deliver efficient cost effective large pool heating in an easy to operate and install package.

- Electronically controlled temperature management
- Fault diagnostic system and inbuilt protection devices
- Hermetic scroll compressors
- Titanium heat exchangers
- R410A Refrigerant
- Bluefin treated evaporators



ELECTROHEAT PRO

Part Number	Product Description	Nominal Size
27883803025	Electroheat Pro 110 (3 Phase)	110kW
27883803030	Electroheat Pro 150 (3 Phase)	150kW
27883803050	Electroheat Pro 250 (3 Phase)	250kW

Electroheat Pro Commercial heat pump

The Electroheat PRO fixed speed range are our 110, 150 & 250kW commercial units designed to offer maximum output and reliability in a commercial setting.

The heat pump cabinet is constructed using high gauge powder coated steel ensuring a high quality finish and sturdy construction.

Twisted Coil Titanium Heat Exchanger

Twisted coil technology increases the surface area and allows increased water contact time, promoting higher heat transfer, thus delivering some of the highest efficiencies in their class.

A Titanium Heat Exchanger offers total protection against erosion and corrosion. Titanium metal's corrosion resistance is due to a stable, protective, strongly adherent oxide film. This film forms instantly when a fresh surface is exposed to air or moisture.

Titanium is resistant to: chlorinated water, ozone, iodine, Baquacil, bromine and salt water.



The Electroheat Pro range boasts innovative design solutions, such as multiple Copeland Scroll compressors (380-415V/50Hz/3ph).

Electr Heat PRO

Specifications

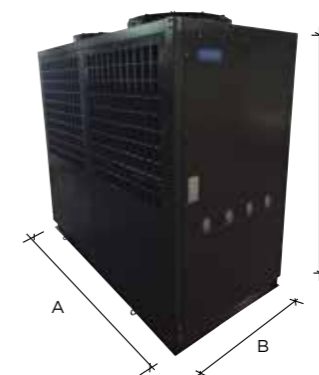
Model Number	110	150	250
Order Code	27883803025	27883803030	27883803050
Nominal Heating Cooling Capacity			
Power Output Heat (27/27/80)	110 kW (376,000 BTU)	157 kW (537,000 BTU)	262 kW (895,100 BTU)
Power Output Heat (24/27/70)	105 kW (358,000 BTU)	150kW (511,500 BTU)	250 kW (852,500 BTU)
Power Output Heat (15/27/70)	85 kW (290,500 BTU)	112 kW (384,900 BTU)	191 kW (652,900 BTU)
Power Output Cool (35/27/70)	60 kW (205,800 BTU)	75 kW (255,600 BTU)	122 kW (418,300 BTU)
Compressor (HP)	(2 x) 12 HP	(2 x) 15HP	(4 x) 12HP
Manufacturer	Copeland	Copeland	Copeland
Compressor number	VP144KSE-TFP-522	VP182KSE-TFP-522	VP144KSE-TFP-522
Water Flow & Plumbing Characteristics			
Water Bypass Type	External Field Install	External Field Install	External Field Install
Min./Max. Water Flow Rate (LPM)	650 - 750	950 - 1050	1700 - 1800
Min./Max. Water Inlet Temperature (°C)	14° - 40°	14° - 40°	14° - 40°
Plumbing Connection Size (Slip)	80mm PVC	80mm PVC	100mm PVC
Electrical Characteristics			
50Hz Dual Rated Supply Voltage (VAC)	380 - 415V	380 - 415V	380 - 415V
Supply Voltage Phase	3Ø	3Ø	3Ø
Min / Max HACR Breaker (AMP)	50 / 60	80 / 100	160 / 160
Power consumption (kW/h)	16.12	16.6	36
Coefficient of Performance (COP)	5.36	5.3	5.2
Max Fan Speed (RPM)	900	780	900
Air Flow (CFM) each	9500 / 5613	15000 / 8820	9500 / 5613
Fan Discharge / Fan Diameter (mm)	Vertical / 630mm	Vertical / 710mm	Vertical / 630mm
Min./Max. Air Inlet Temperature (°C)	>0° / 40°	>0° / 40°	>0° / 40°
Refrigerant Characteristics			
Refrigerant Type	R-410A	R-410A	R-410A
Initial Factory Refrigerant Charge (kg)	2 x (5.5)	2 x (6.5)	4 x (5.5)
Evaporator	Hydrophillic aluminium	Hydrophillic aluminium	Hydrophillic aluminium
Titanium coil	Titanium in PVC	Titanium in PVC	Titanium in PVC
Expansion system characteristics	(2x) Expansion Valve - TGEL-9 Danfoss	(2x) Expansion Valve - TGEL-15 Danfoss	(4x) Expansion Valve - TGEL-9 Danfoss
Physical Characteristics			
Cabinet Construction	Black Powder Coat Steel	Black Powder Coat Steel	Black Powder Coat Steel
Segregated Electric Compartment	Yes	Yes	Yes
Weight (kg.)	530	600	1020
Dimensions (mm)	900W - 2000L - 1880H	970W - 2000L - 2026H	2160W - 2000L - 2140H
Clearance around unit (mm)	500	500	500
Noise Characteristics	58dBA@ 3 metres	60dBA@ 3 metres	65dBA@ 3 metres

Clearance



Dimensions

Model	A	B	C
Electroheat Pro 110	2000mm	900mm	1880mm
Electroheat Pro 150	2000mm	970mm	2026mm
Electroheat Pro 250	2000mm	2160mm	2140mm





Energy efficient swimming pool heating



ELECTROHEAT ECO-VS HEAT PUMPS - R32

Part Number	Product Description	Nominal Size
27811006	Electroheat ECO-VS 11kW WIFI	11kw
27814006	Electroheat ECO-VS 14kW WIFI	14kw
27819006	Electroheat ECO-VS 19kW WIFI	19kw
27822006	Electroheat ECO-VS 27kW WIFI	27kw
27832006	Electroheat ECO-VS 32kW WIFI	32kw
27841006	Electroheat ECO-VS 41kW WIFI	41kw

The Electroheat ECO-VS pool heat pump range redefines pool heating with its innovative inverter technology and whisper-quiet operation. These high-performance heat pumps are designed to efficiently heat and cool your pool, ensuring optimal water temperatures year-round. With its cutting-edge inverter technology, this heat pump offers precise temperature control and energy savings, making it the ideal choice for discerning pool owners.

Key Features:

- **Inverter Technology:** This advanced technology allows the heat pump to seamlessly adjust its power output to match the specific heating needs of your pool, optimizing energy consumption and minimizing running costs.
- **Superior Heating Capacity:** The Electroheat ECO-VS is engineered to efficiently heat your pool, ensuring optimal water temperatures throughout the swimming season.
- **Unmatched Energy Efficiency:** Experience the benefits of the Electroheat ECO-VS high Coefficient of Performance (COP), which translates to lower energy consumption and reduced electricity bills.
- **Robust Construction:** Electroheat ECO-VS features a durable titanium heat exchanger and corrosion-resistant aluminium alloy cladding, guaranteeing long-lasting performance.
- **Quiet Operation:** Enjoy a peaceful poolside experience with the Electroheat ECO-VS whisper-quiet operation.
- **Easy Installation and Maintenance:** The Electroheat ECO-VS is designed for hassle-free installation and maintenance, minimizing downtime and maximizing convenience.

Electroheat ECO-VS WIFI heat pumps feature a compact design and horizontal venting through the ends, making them an ideal choice for efficient pool heating.

- Available in 11kW, 14kW, 19kW, 27kW, 32kW & 41kW heating capacities

This Electroheat heat pump range are an ideal solution for heating: plunge pools, swim spas, spas and swimming pools as a solar replacement/season extender.

Dimensions



Clearance



Energy efficient swimming pool heating

Specifications

Nominal Size	11kW	14kW	19kW	27kW	32kW	41kW
Product Code	27811006	27814006	27819006	27827006	27832006	27841006
PERFORMANCE CONDITION: Air 27°C/ Water 27°C/ Humid. 80%						
Turbo Mode - Heating Capacity (kW)	11.5	14.0	18.5	26.5	31.5	40.5
Perfect Mode - Heating Capacity (kW)	9.3	10.9	15.4	20.6	26.8	34.5
Heating Capacity @ 50% Speed (kW)	5.8	7.0	9.3	13.3	15.8	20.3
COP	17.0-7.4	17.1-7.6	17.0-7.1	17.1-7.3	17.8-7.3	17.7-7.1
COP @ 50% Speed	15.4	14.3	14.0	14.7	16.1	13.8
Average COP	12.8	13.0	12.7	12.8	13.2	13.0
PERFORMANCE CONDITION: Air 15°C/ Water 26°C/ Humid. 70%						
Turbo Mode - Heating capacity (kW)	7.7	9.3	12.5	18.0	21.8	29.0
Perfect Mode - Heating Capacity (kW)	6.3	7.6	10.6	14.4	18.0	23.9
Heating Capacity @ 50% Speed (kW)	3.9	4.7	6.3	9.0	10.9	14.5
COP	7.5-5.3	7.7-5.2	8.0-5.1	8.0-5.3	8.1-5.4	7.6-5.4
COP @ 50% Speed	7.4	8.2	8.3	8.0	8.2	7.1
Average COP	6.7	6.8	6.9	7.0	7.1	6.8
PERFORMANCE CONDITION: Air 35°C/ Water 28°C/ Humid. 80%						
Cooling capacity (kW)	4.6	5.6	7.1	10.2	12.2	15.0
Operating air temperature (°C)	-15°C-43°C					
Power supply	230 - 240V 1Ph AC					415V 3Ph
Electrical Connection	3 metre lead					
Rated input power (kW)	0.23-1.74	0.29-2.14	0.40-2.98	0.56-4.14	0.66-4.89	0.88-6.52
Input power at 50% speed (kW)	0.56	0.66	0.91	1.27	1.51	2.11
Rated input current (A)	1.00-7.57	1.26-9.30	1.74-12.96	2.43-18.00	2.87-21.26	1.28-9.45
Minimum breaker size (amp)	16	16	16	20	32	16
Sound level at 1m dB(A)	36.3-44.5	36.5-45.9	39.7-48.5	39.8-50.2	40.3-50.8	40.6-51.3
Sound level 50% at 1m dB(A)	38.4	40.3	42.5	43.1	45.1	45.7
Sound level at 10 m dB(A)	16.3-24.5	16.5-25.9	19.7-28.5	19.8-30.2	20.3-30.8	20.6-31.3
Water Flow (LPM)	50-60	50-60	90-120	140-170	170-200	200-300
Weight (kg)	66	73	75	114	148	164
Dimension W x L x H (mm)	750x504x656	750x504x656	840x504x656	1135x514x756	1135x528x957	1285x530x957
Protection level	IPX4					
Water connection (mm)	40mm slip					
Refrigerant charge R32 (g)	550	900	1000	2000	2300	3000

Electr Heat ECO-V



ELECTROHEAT ECO V INVERTER POOL HEAT PUMPS - SIDE VENT

Part Number	Product Description	Nominal Size
2780910	Electroheat ECO-V Inverter 12kW heat/cool 10amp plug R32	12kW
2781211	Electroheat ECO-V Inverter 15kW heat/cool 15amp plug R32	15kW
2781711	Electroheat ECO-V Inverter 20kW 15amp plug heat/cool R32	20kW

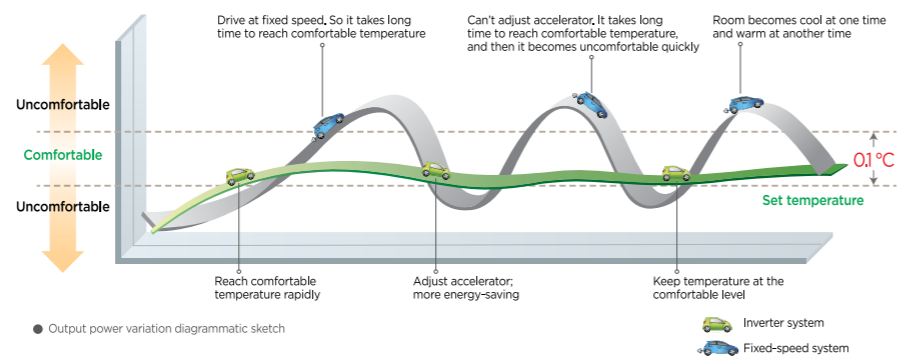
Energy Efficient Inverter Technology

Electroheat ECO V side vent inverter pool heat pumps utilise a variable speed compressor to regulate the pool water temperature automatically and independently.

- Inverter technology uses a variable speed compressor motor similar to a car's engine.
- It slows down and speeds up as needed to hold a selected set temperature
- The desired set temperature will be reached more quickly and maintained more efficiently.
- Inverter technology provides a more precise water temperature without the fluctuations and power wastage of fixed speed systems.
- Inverter technology is significantly more energy efficient with energy savings of up to 30% over fixed speed systems.
- The speed control of the compressor and fan motor also means quieter operation.

Electroheat ECO-V Inverter technology heat pumps can heat your pool in colder climates even when the ambient air temperature is close to 0°C and are ideal for heating:

Available in: 12, 15 & 20kW heat & cool models



Electr Heat ECO-V

Specifications

Performance Specifications - Electroheat ECO-V Inverter Side Vent					
Model			12kW	15kW	20kW
Air 27C / Water 26C	Heating Capacity	KW	11.9 - 3.8	14.5 - 4.2	20.2 - 5.3
	Electrical Input	KW	1.4 - 0.25	2.4 - 0.48	3.0 - 0.5
	COP		8.48 - 15.2	5.99 - 8.75	6.64 - 10.6
	Normal Current	Amps	6.1 - 1.1	10.4 - 2.1	13.0 - 2.2
Air 15C / Water 26C	Heating Capacity	KW	9.2 - 2.5	12.2 - 3.5	17.0 - 4.5
	Electrical Input	KW	1.86 - 0.32	2.36 - 0.46	3.62 - 0.61
	COP		4.95 - 7.8	4.85 - 7.6	4.7 - 7.4
	Normal Current	Amps	8.08 - 1.4	9.85 - 2.0	15.7 - 2.65
Power Supply	V / Hz	230-240VAC / 50Hz			
Supply Voltage Phase					
Breaker or fuse size	Amps	20	20	20	
Electrical Connection		10A Plug	15A Plug	Terminals	
Set Temperature range	°C	15°C - 40°C			
Operating Temp range	°C	-10°C - 43°C			
Water Heat Exchanger		Titanium Coil / PVC Tank			
Heat Exchanger Max. Pressure		3.5 bar / 350kPa			
Compressor		Inverter			
Compressor Quantity		1			
Fan Quantity		1			
Exhaust Direction		Horizontal			
Water Inlet / Outlet Dimension		1.5"			
Hydraulic Connection	mm	PVC 40 SLIP			
Nominal Water flow	LPM	84 - 94	100 - 110	110 - 120	
Sound Pressure at 1M	dB(A)	50 - 59			
Sound Pressure at 10M	dB(A)	32 - 42			
Unit Dimensions (L*W*H)	mm	1269 * 370 * 714			
Cabinet Material		Polymer			
Net Weight	kg	53	59	67	
Refrigerant		R32			
Display		LED			
Modes		Heating / Cooling			

Electr Heat io Plus



Featuring an extra large evaporator area for maximum ambient heat extraction and vertical ventilation the Electroheat Plus is ideal for heating:

- Swimming pools for year round enjoyment
- Swimming pools to extend the season
- Swimming pools where roof space for solar is limited
- Available in 25, 31 & 44kW heating capacities



Double Coil Titanium Heat Exchanger
With much greater surface area and longer contact time, this Waterco innovation allows higher heat transfer, thus delivering some of the highest efficiencies in its class.

A Titanium Heat Exchanger offers total protection against erosion and corrosion. Titanium metal's corrosion resistance is due to a stable, protective, strongly adherent oxide film. This film forms instantly when a fresh surface is exposed to air or moisture.

Titanium is resistant to: chlorinated water, ozone, iodine, Baquacil, bromine and salt water.



ELECTROHEAT PLUS MKIII HEAT PUMPS - R410

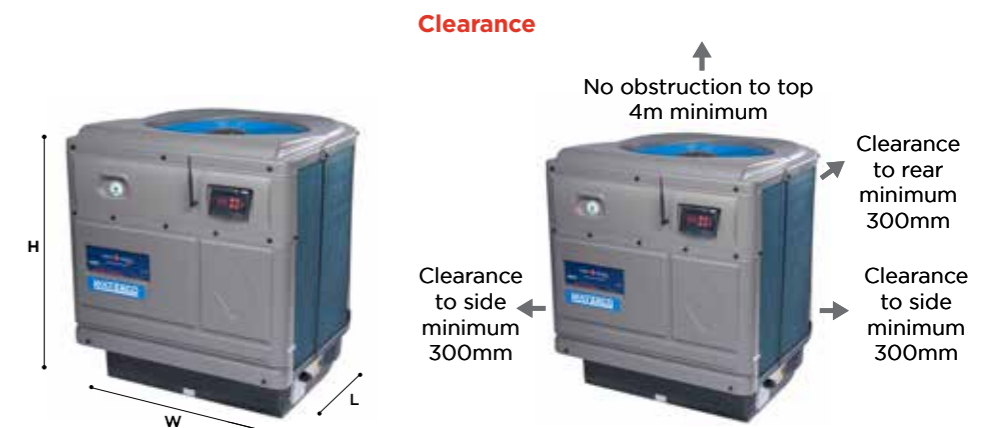
Part Number	Product Description	Nominal Size
27825336	Electroheat io Plus WIFI 25MKIII (3 Phase)	25kW
27831336	Electroheat io Plus WIFI 31MKIII (3 Phase)	31kW
27844336	Electroheat io Plus WIFI 44MKIII (3 Phase)	44kW

WATERCO HEAT PUMPS - The ElectroHeat io Plus WIFI heat pumps may connect to the Waterco Connect app for control via a smart phone and come complete with a commercial grade Titanium heat exchanger and digital display as standard. All 3 phase heat pumps are supplied with a 3 phase indicator and protector.

Performance Specifications			
	Electroheat Plus		
Nominal Power Output (kW)*	25	31	44
Nominal Heating Capacity BTU*	85,000	105,000	150,000
Power Output (kW): Air 26C / Water 26C / RH63%	24.5	30.6	43.7
COP	4.9	5.5	5.7
Power Output (kW): Air 15C / Water 24C / RH70%	22.5	28.5	42.0
COP	4.5	5.2	5.4
Supply Voltage (VAC)	380 - 415		
Supply Voltage Phase	Three Phase		
Power Consumption (kW/h)	5.0	5.6	7.7
Full Load Amps (AMP)	12	14	17
Minimum Breaker or Fuse (AMP)	20	25	32
Electrical Connection	Terminals		
Min./Max. Ambient Air Temperature (C)	10 / 40		
Min./Max. water inlet temp (C)	18 / 40		
Water Connections (mm)	40mm slip		
Water Bypass Type	External Field		
Min./Max. Water Flow Rate LPM	120 - 230	130 - 300	
Weight (kg)	84	87	93
Dimensions W x L x H (mm)	750 x 850 x 1000	890 x 880 x 1130	
Refrigerant	R410A		

Dimensions

Model	W	L	H
ElectroHeat Plus MK III 25	780 mm	890 mm	870 mm
ElectroHeat Plus MK III 31kW, 44kW	890 mm	880 mm	1120 mm



Electr Heat io Plus

Warm Your Pool Beyond Seasons

Electr Heat MKV 

Energy efficient swimming pool heating



ELECTROHEAT MKV WIFI HEAT PUMPS

Greater interest in environmentally friendly and cost effective pool heating has seen an increase in the use of heat pumps around Australia to heat pools. To meet the demand, Waterco has the Electroheat MKV WIFI fixed speed range with output capacities 9, 12, 14, 19 and 22kW which are ideal for heating plunge pools, swim spas, spas and swimming pools as a solar replacement/season extender.

Performance Specifications					
Electroheat MKV					
Nominal Power Output (kW)*	9	12	14	19	22
Nominal Heating Capacity BTU*	30,700	41,000	47,700	64,000	75,000
Product Code	27809506	27812306	27815206	27819206	27823206
Power Output (kW): Air 26C / Water 26C / RH63%	8.9	11.7	13.5	18.5	21.8
COP	5.9	6.1	6.1	6.3	6.2
Power Output (kW): Air 15C / Water 24C / RH 70%	6.8	9.2	9.4	17.0	20.0
COP	4.8	4.8	4.3	5.8	5.7
Supply Voltage (VAC)	240	240	240	240	240
Supply Voltage Phase	Single Phase				
Power Consumption (kW/h)	1.5	1.9	2.2	2.9	3.5
Full Load Amps	9	12	12	22	30
Minimum Breaker or Fuse (AMP)	16	20	20	30	40
Electrical Connection	10A plug	15A plug	lead 2m		
Min. / Max. Ambient Air Temperature (C)	10 / 40				
Min. / Max. water inlet temp (C)	18 / 40				
Water Connections (mm)	40mm				
Bypass	External 3 x 2 way				
Evaporator area m ²	0.59	0.59	1.18	1.77	1.77
Min. / Max. Water Flow Rate LPM	120 - 230				
Unit Dry Weight (kg)	51	55		79	
Dimensions W x L x H (mm)	1269 x 361 x 717				
Refrigerant	R410A				
Heat Exchanger Max. pressure	3.5 bar / 350 kPa				

Electr Heat MKV
swimming pool heat pump

**Warm Your Pool
Beyond Seasons**



ELECTROHEAT MKV WIFI HEAT PUMPS - R410

Part Number	Product Description	Nominal Size
27809506	Electroheat MK V 9KW WIFI 240V 10A Plug	9kW
27812306	Electroheat MK V 12KW WIFI 240V 15A Plug	12KW
27815206	Electroheat MK V 14KW WIFI 240V 50HZ	14KW
27819206	Electroheat MK V 19KW WIFI 240V 50HZ	19KW
27823206	Electroheat MK V 22KW WIFI 240V 50HZ	23KW



ELECTROHEAT BYPASS KIT

Part Number	Product Description	Nominal Size
69051363	Electroheat bypass plumbing kit 460mm	17KW
69051364	Electroheat bypass plumbing kit 283mm	21KW
69051365	Electroheat bypass plumbing kit 360mm	25KW
69051366	Electroheat bypass plumbing kit 472mm	25KW
69051367	Electroheat bypass plumbing kit 300mm	11KW
69051368	Electroheat bypass plumbing kit 350mm	19KW
69051369	Electroheat bypass plumbing kit 640mm	32KW
69051370	Electroheat bypass plumbing kit 650mm	41KW

Waterco has introduced a new preassembled Heat Pump Bypass kit to make installation and operation easier for our customers and consumers. The bypass is compatible on all Electroheat heat pumps domestic.

Waterco Product Code	Product Description	BYPASS Product Code	Outlet Centres	Size
278095	Electroheat MKV 9KW	69051364	283mm	40mm
278123	Electroheat MKV 12KW	69051364	283mm	40mm
278152	Electroheat MKV 15KW	69051364	283mm	40mm
278192	Electroheat MKV 19KW	69051363	460mm	40mm
278232	Electroheat MKV 23KW	69051363	460mm	40mm
2782533	Electroheat Plus 25KW	69051363	460mm	40mm
2783133	Electroheat Plus 31KW	69051363	460mm	40mm
2783733	Electroheat Plus 37KW	69051363	460mm	40mm
2784433	Electroheat Plus 44KW	69051363	460mm	40mm
2782311	Electroheat Ultra 23KW	69051363	460mm	40mm
278100313	Electroheat Ultra 29KW	69051363	460mm	40mm
278150313	Electroheat Ultra 44KW	69051363	460mm	40mm
2781210	Electroheat ECO-V TV 12KW	69051364	283mm	40mm
2781710	Electroheat ECO-V TV 17KW	69051365	360mm	40mm
2782110	Electroheat ECO-V TV 21KW	69051365	360mm	40mm
2782510	Electroheat ECO-V TV 25KW	69051365	360mm	40mm
2781713	Electroheat ECO-V TV 17KW	69051365	360mm	40mm
2782113	Electroheat ECO-V TV 21KW	69051365	360mm	40mm
2782513	Electroheat ECO-V TV 25KW	69051365	360mm	40mm
2780510	Electroheat ECO-V SV 5KW	69051364	283mm	40mm
2780910	Electroheat ECO-V SV 9KW	69051364	283mm	40mm
2781211	Electroheat ECO-V SV 12KW	69051364	283mm	40mm
2781711	Electroheat ECO-V SV 17KW	69051364	283mm	40mm
2782511	Electroheat ECO-V 25kW SV	69051366	472mm	40mm
27811006	Electroheat ECO VS 11kW	69051367	300mm	40mm
27814006	Electroheat ECO VS 14kW	69051364	280mm	40mm
27819006	Electroheat ECO VS 19kW	69051368	350mm	40mm
27827006	Electroheat ECO VS 27kW	69051363	460mm	40mm
27832006	Electroheat ECO VS 32kW	69051369	640mm	40mm
27841006	Electroheat ECO VS 41kW	69051370	650mm	40mm



Ultra-high Performance in a compact quiet and ECO-friendly design.



The Turbotemp heater's easy-to-read controls make system operation and monitoring simple. Pool and spa temperatures can be pre-set and controlled with the push of a button. A digital display indicates the water temperature, and five LED lights give you system status and let you know if the heater needs service.

TURBOTEMP

Part Number	Product Description	Nominal Size
2701251	125 Natural Gas	125MJ
2701252	125 LPG - Propane	125MJ
270201	200 Natural Gas	200MJ
270202	200 LPG - Propane	200MJ
270301	300 Natural Gas	300MJ
270302	300 LPG - Propane	300MJ
270401	400 Natural Gas	400MJ
6844340	150mm Flexible Flue Kit - 125, 200, 300	
6844350	200mm Flexible Flue Kit - 400	
684431106	Metal Flue Collar 150mm	
684431108	Metal Flue Collar 200mm	
68460925	Pressure relief valve kit	

No matter what you're seeking in your swimming pool heater, the Turbotemp heater measures up. Compare this list of features to any other and you'll see why Turbotemp heaters are setting a new standard for total value.

- Very compact design.
- A fully pre-mixed burner system with a highly efficient air and gas mixture.
- Hot surface ignition eliminating the requirement for a pilot.
- Push button digital controls with easy to view rotating display.
- Engineered for super quiet operation.
- Certified for low NOx emissions.
- Safe operation through a series of features including:-
 - o Water pressure switch
 - o Over temperature switch
 - o Stack flue sensor
 - o Manual gas shut-off for servicing

Pool Sizing*

°C Temperature Change/ 24 Hrs.	Heater Size			Heater Size		
	Model 200	Model 300	Model 400	Model 200	Model 300	Model 400
	Pool Capacity in Litres			Pool Surface Area in Sq. Mt. at 1.65m Depth		
2.77	368,635	552,954	737,269	220	329	439
5.44	184,315	276,475	368,635	110	165	220
8.31	122,878	184,319	245,756	73	110	146
11.08	92,160	138,239	184,315	55	82	110
13.85	73,728	110,595	147,453	44	66	88
16.62	61,437	92,156	122,878	37	55	73
19.39	52,663	78,994	105,325	31	47	63
22.16	46,080	69,122	92,160	27	41	55

Spa Sizing*

Model	Spa Volume (Litres)								
	750	1,150	1,500	1,900	2,250	2,650	3,000	3,400	3,800
	Minutes for 16.2°C (30°F) Temperature Rise (Heater Input in 1000 BTU/HR)								
125	31.5	47.3	61.3	77.0	92.8	108.5	124.3	140.0	155.8
200	18.0	27.0	35.0	44.0	53.0	62.0	71.0	80.0	89.0
300	13.5	20.0	26.5	33.0	40.0	46.5	53.0	60.0	66.5
400	9.0	13.0	18.0	22.0	27.0	31.0	35.0	40.0	44.0

Raypak Range



SPA HEATER MODEL SPARTAN

The Spartan 131 spa heater is a purpose built spa heater. It is capable of heating almost any spa on demand.

The Spartan provides an extensive list of standard features including:

- Digital display
- Energy saving “hot surface ignition”
- Easy integration with other pool & spa control equipment
- Polymer headers for improved longevity
- Child lock function
- Service code diagnostics
- Remote control option
- Suitable for outdoor installations only
- Natural and LP gas models



POOL HEATER MODELS 200 TO 430

- Robust powder coated all metal construction
- Cupro-nickel heat exchanger for greater protection against corrosion
- Polymer Headers for improved longevity
- Allows operation of two motorised actuator valves (pool / spa changover)
- Pump run on timer for cooldown
- Energy saving “hot surface ignition”
- Easy integration with other pool & spa control equipment
- Remote control option
- Suitable for indoor or outdoor installations
- Service code diagnostics
- Child lock function
- Natural and LP gas models
- Manufactured in Australia



MODELS - RAYPAK PREMIUM SMALL COMMERCIAL GAS POOL HEATER RANGE

The Raypak range of small commercial pool and spa gas heaters feature bronze headers for better resistance against corrosion and are capable of heating the biggest or smallest of pools and spas, extending swimming time and enjoyment.

Raypak Premium Range Pool Heater Features

- Robust powder coated all metal construction
- Bronze Headers for greater heat tolerance and protection against corrosion
- Cupro nickel heat exchanger
- Allows operation of two motorised actuator valves (pool / spa changover)
- Pump run on timer for cooldown
- Energy saving “hot surface ignition”
- Easy integration with other pool & spa control equipment
- Remote control option
- Suitable for indoor or outdoor installations
- Service code diagnostics
- Child lock function
- Natural and LP gas models
- Manufactured in Australia

Heater Accessories

A range of accessories is available to assist with Raypak gas heater installation. Accessories should be ordered with the gas heater for included supplier freight charges.

Raypak Range

RESIDENTIAL RANGE

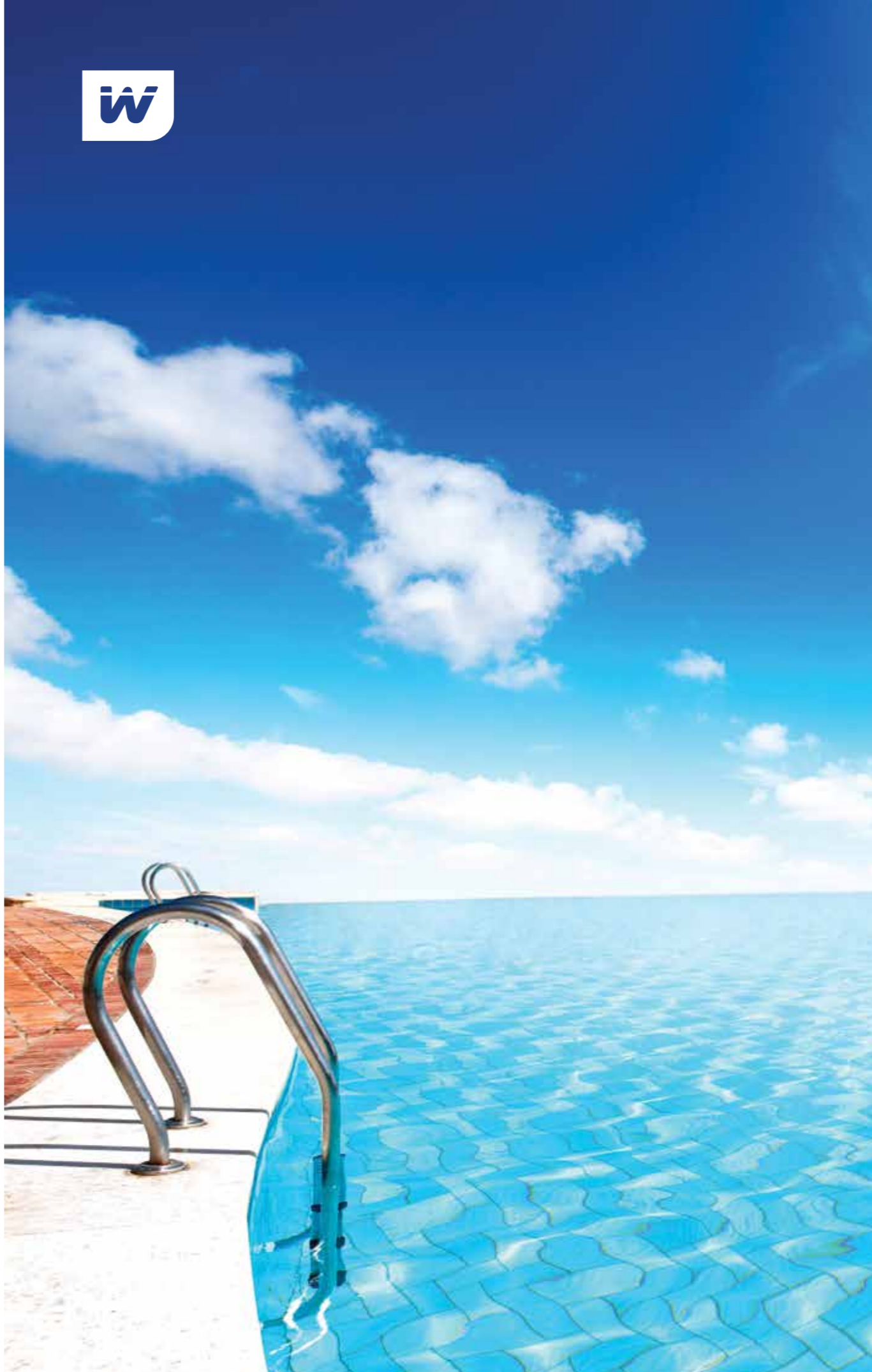
Part Number	Product Description	Nominal Size
2701311	Raypak Spartan Gas Heater 131 NG	120MJ NG
2702001	Raypak Gas Heater 200 NG	196MJ NG
2702002	Raypak Gas Heater 200 LPG	185MJ LPG
2702801	Raypak Gas Heater 280 NG	278MJ NG
2702802	Raypak Gas Heater 280 LPG	261MJ LPG
2703501	Raypak Gas Heater 350 NG	343MJ NG
2703502	Raypak Gas Heater 350 LPG	323 MJ LPG
2704301	Raypak Gas Heater 430 NG	420 MJ NG
2704302	Raypak Gas Heater 430 LPG	369 MJ LPG

PREMIUM RANGE WITH BRONZE HEADERS

Part Number	Product Description	Nominal Size
2702803	Raypak Comm Gas Heater 280 NG	278MJ
2702804	Raypak Comm Gas Heater 280 LPG	261MJ
2704303	Raypak Comm Gas Heater 430 NG	420MJ
2704304	Raypak Comm Gas Heater 430 LPG	369MJ

HEATER ACCESSORIES (to be ordered with heater for included freight)

Part Number	Product Description
27056009220	Remote In-house Thermostat
27056009221	Remote Thermostat Cable 10m
27056009222	Remote Thermostat Cable 20m
27056009223	Remote Thermostat Cable 50m
27056009224	Flow Switch Kit - 40 / 50mm diam.
27096501222	Pressure Relief Valve (PRV) - 45psi 0.6 MBTU
27096800040	Header Coupling Kit 40mm (2 off per kit)
27096800050	Header Coupling Kit 50mm (2 off per kit)
27096959305	Power Vent R6MVAHT (0.18kW)
27096959312	Power Vent Adaptor Kit 200
27096959313	Power Vent Adaptor Kit 280
27096959314	Power Vent Adaptor Kit 350
27096959315	Power Vent Adaptor Kit 430
27096009203	High Wind Top (HWT) Kit - Model 200
27096009204	High Wind Top (HWT) Kit - Model 280
27096009205	High Wind Top (HWT) Kit - Model 350
27096009206	High Wind Top (HWT) Kit - Model 430
27056009004	Indoor Hood Kit - Model 127
27056001682	Indoor Hood Kit - Model 167
27096009178	Indoor Hood Kit - Model 200
27096009179	Indoor Hood Kit - Model 280
27096009180	Indoor Hood Kit - Model 350
27096009181	Indoor Hood Kit - Model 430
27056108109	Indoor Hood Kit (Adaptor Plate Only) Model 200
27056108209	Indoor Hood Kit (Adaptor Plate Only) Model 280
27056108309	Indoor Hood Kit (Adaptor Plate Only) Model 350
27056108409	Indoor Hood Kit (Adaptor Plate Only) Model 430
27096959310	Twin Relay Box



Commercial Sanitation Systems

SWIMMING POOL & SPA
**AUTOMATED
CONTROL SYSTEMS**



CENTURIO



LD Multichannel



WD Chemical Doser

Centurio

Automated Control Systems



Centurio

Measured Parameters

- ✓ pH
- ✓ ORP
- ✓ Temperature
- ✓ Free Chlorine
- ✓ Total Chlorine
- ✓ Combined Chlorine (calculated)
- ✓ Optional Conductivity

Key Features

- ✓ Colour touch screen display of all parameters
- ✓ Amperometric Chlorine measurement
- ✓ Includes shock chlorination, flocculant output & filter backwashing functionality
- ✓ Full remote control via ERMES web portal
- ✓ Datalog download via USB
- ✓ Alarm notifications via SMS and/or email

	Range (Resolution)
pH Sensor	0-14 pH (0.01 pH)
ORP Sensor	0-999 mV (1 mV)
Free Chlorine Sensor (Default) Non-Cyanuric Acid treated pools	0-20 mg/l (0.01 mg/l)
Total Chlorine Sensor	0-20 mg/l (0.01 mg/l)
Temperature Sensor	0-100°C (0.1°C)
Conductivity	Opt: 0-20 mS/cm (1 uS/cm)
Control Type	On/Off, Proportional PWM, Proportional (Pulse)
Power Supply	110-240VAC 50-60Hz
IP Rating	IP65
Ambient Temperature	-10°C/50°C
Dimensions	570 (w) x 470 (h) mm

PWM = Pulse Width Modulation (i.e. pump ON/OFF cycle varies depending on deviation from setpoint)

LD Controllers

Multiple Reading Digital Systems



LD CONTROLLERS

Features and benefits:

- Free chlorine reading (in mg/L, i.e. ppm) (Meeting any proposed changes in public health guidelines)
- pH control (With temperature compensation, if optional temperature sensor fitted)
- Stable and reliable measurement even with low chlorine concentrations values
- Proportional control feed
- Pre-assembled and simple to install
- Multiple inputs and outputs for analogue or digital signals
- Large LCD screen that provides all information at a glance
- Optional remote monitoring
- Variable speed pumps 3-15 lph

	ECL6
Parameter	FREE CHLORINE (ORGANIC AND INORGANIC) / BROMINE
Measuring range	0-10 mg/l (0-10 ppm) resolution: 0.05
Connection	2 wires (+red; -black)
Measuring system	amperometric - 2 electrodes (platinum/copper; on request gold/copper)
Ph working range	6-8 pH
Run-in-time	First polarization: 2 h approx, Next polarization: 50 min. approx
Response time	T ₉₀ : 2 min. approx
Zero point adjustment	See Operating manual: "Calibration"
Alkalinity	100 ppm minimum
Isocyanuric Acid	70ppm max
Working temperature	5-40° C (41-104° F)
Pressure	0.4 - 5 bar (5.8 - 72.5 PSI)
Cable (standard)	2 m (6.6 ft); 1 m if assembled on panel
Working flow	40 l/h approx
Suitable as probe holder for	pH, ORP and optional temperature
Fittings for connection to the sample pipeline	6x8mm tubing
Material	Electrode: platinum/copper Measurement cell: metacrylate (PMMA)
Mounting	On flat vertical surface (panel, support, etc.).
Maintenance	Regular control of the signal SHORTEN THE MAINTENANCE INTERVALS APPROPRIATELY DEPENDING ON WATER QUALITY.

Waterco Digital Chemical Doser

Fully Automated Sanitisation for Complete Peace of Mind



Waterco Digital Chemical Doser

Part Number	Product Description
258300	WD Chemical Controller
Accessories	
2595003	Level Sensor Kit (Suction Lances X 2) 630mm
2595004	Level Sensor Kit (Suction Lances X 2) 1150mm
Remote Monitoring	
258404	WD Controller LCEL 4G
Accessories	
25400648	110L Chemical
25400640	210L Chemical Drum
25400647	250L Chemical Bundling

Pool Professional Support

If you're a pool professional or provide support to commercial and semi-commercial pools, the WD Chemical Doser is the best tool to underpin your daily functions:

- Chemical drum/tank level indicator
- Standby input stops both dosing pumps (activated by contact closure)
- Multiple Alarms:
 - maximum dosing time,
 - probe check-up,
 - tank level,
 - voltage,
 - flow (requires a flow sensor)
- N.O. or N.C. digital inputs
- Programmable delay at dosing start-up (max 60 minutes)
- pH priority dosage over ORP dosage
- Ideally suited to commercial spas or pools where remote communication is required
- Volume range: 1-100,000 Litres

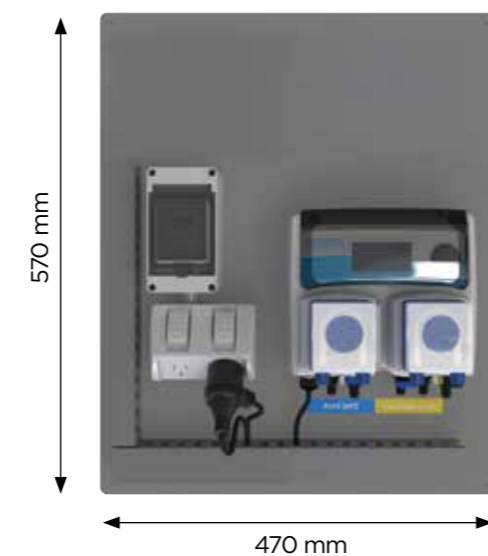
Technical Specifications

Parameter	Value
ORP Range (mV)	0 to 999
pH range	0 to 14
Max Pool Size (kL /US gaL)	100 / 26,420
Peristaltic Pumps Capacity (Lph/gph)	3.00/0.80
Max. discharge Pressure (Kpa/Bar/PSI)	120 / 1.2 / 17.4
Squeeze tube Material	PS140PH
Temperature Operating Range (°C / °F)	-10 to 45 / 14 to 113
Power Input (volts)	220-240
Frequency (Hz)	50/60
Max. Current (A)	0.2
Degree of Protection	IP54

Warranty

Component	Warranty Period
WD Chemical Doser	24 months
Timer	24 months
Probes/Sensors	18 months
Commercial Applications	12 months

Dimensions



CHEMFLO PLUS

Commercial Chemical Controller



CHEMFLO PLUS WATER MANAGEMENT SYSTEM

Part Number	Product Description
258100	Chemflo Plus Water Management System
258106	Squeeze Tube Service Kit

CHEMFLO ACCESSORIES

Part Number	Product Description
60125008	15L Black Drum
60137308	60L Blue Drum
60137306	60L White Drum
60137301	60L Black Drum

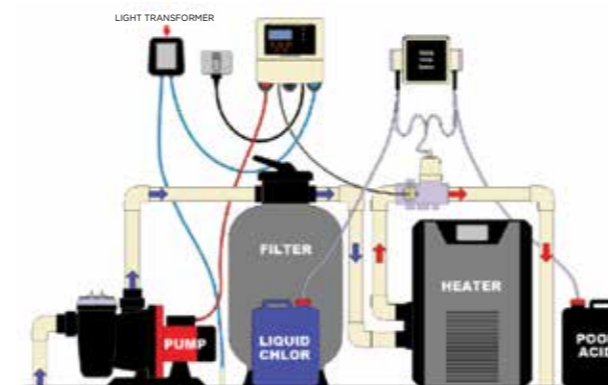
ORP measurement,
no remote
communications
or data logging.

Recommended for
large domestic,
or semi commercial
applications who
do not require
data logging

ChemfloPlus continuously analyses your pool water chemistry and accurately sanitises and controls the pool's pH, keeping your pool water safe and healthy.

The ChemfloPlus automatic control system measures and precisely controls set levels of sanitiser (chlorine) and pH balance (acid) through feedback from inline sensors. This ensures the safest possible swimming conditions. Costs are reduced by minimising chemical use and preventing excessive addition of chemicals that may damage the pool and its equipment.

ChemfloPlus With a Pool Heater and Pool Lights



With a Salt Chlorinator



ELECTROCHLOR

Mineral chlorinator



Simplifying Pool Ownership

Waterco's Electrochlor Mineral Chlorinator makes your pool smarter by automatically taking care of sanitisation, filtration and auxiliary equipment so you don't have to!

- Pool temperature display
- Variable speed pump compatibility
- Dual-pump control
- Actuator control
- Dual GPOs for auxiliary equipment
- Water flow detection & pump protection
- Low chlorine mode
- Temperature adjusted salt alarm
- Battery backup
- Comprehensive built-in diagnostics

DOSING SYSTEMS

ELECTROCHLOR **PRO**

Commercial Chemical Controller



ELECTROCHLOR PRO MINERAL CHLORINATOR

Part Number	Product Description	Nominal Size
2515140	Electrochlor Mineral PRO 4000	40g/hr
2515150	Electrochlor Mineral PRO 5000	50g/hr
6450136	Electrochlor Mineral PRO Power Pack	
6449740	Waterco Salt Cell 4000	
6449750	Waterco Salt Cell 5000	

Waterco's Electrochlor Mineral Chlorinator makes your pool smarter by automatically taking care of sanitisation, filtration and auxiliary equipment so you don't have to! This one device will monitor and display everything you need to know about your pool in real time.

- Energy-saving power pack and battery backup
- Self-cleaning electrolytic salt cell
- Low salt alarms and pump protection
- Variable speed pump control
- Dual general power outlets
- Chlorine output of 40 g/hr or 50 g/hr
- Backlit LCD screen with temperature display

Electrochlor Technical Specifications

Model	Chlorine Production (g/hr)	Max Pool Capacity (L) Climate	
		Temperate	Tropical
Electrochlor Mineral 4000	40	120,000	84,000
Electrochlor Mineral 5000	50	140,000	96,000

*Pool capacity is based on domestic pool. For commercial pool, please approach our friendly sales representatives.

Parameter/Model	4000	5000
Primary Input (Volts)/Frequency (Hz)	220-240 VAC / 50-60 Hz	220-240 VAC / 50-60 Hz
Input Power (W)	206	239
Output Current (A)	8.5	9.1
Maximum Total Current (A)	10	10
Pump Outlet Maximum (A)	8	8
Cell Voltage (V)	21	21
Degree of Protection	IP23	IP23

These chlorinators are approved and conform to AS3136 Swimming Pool Equipment, as a prescribed article under Australian Registration. These Chlorinators conform to the Australian Electromagnetic Compatibility Standard marked by the C-tick.



ELECTROCHLOR MINERAL

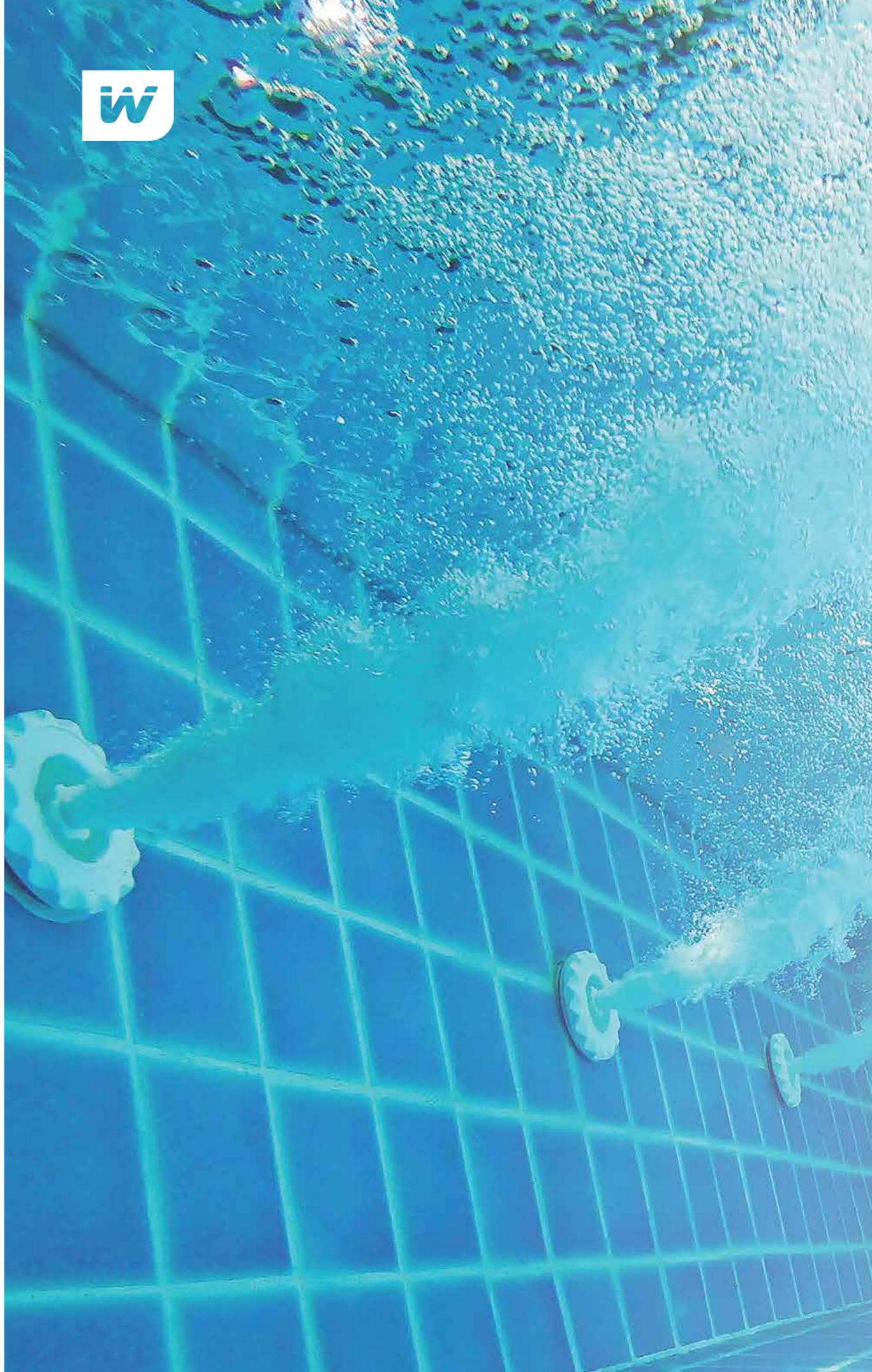
Part Number	Product Description	Nominal Size
2515120	Electrochlor Mineral 2000 Chlorinator	20g/hr
2515125	Electrochlor Mineral 2500 Chlorinator	25g/hr
2515130	Electrochlor Mineral 3000 Chlorinator	30g/hr
6450135	Power Pack - Electrochlor	
6449720	Cell plates & housing - 2000	
6449725	Cell plates & housing - 2500	
6449730	Cell plates & housing - 3000	

Technical Specifications

Model	Chlorine Production (g/hr)	Max Pool Capacity (L) Climate	
		Temperate	Tropical
2000	20	60,000	48,000
2500	25	80,000	60,000
3000	30	100,000	72,000

	2000	2500	3000
Primary Input (Volts)/Frequency (Hz)	170-264V/47 - 64 Hz	170-264V/47 - 64 Hz	170-264V/47 - 64 Hz
Input Power (W)	105	115	130
Output Current (A)	5.4 (DC)	5.8 (DC)	6.0 (DC)
Maximum Total Current (A)	10	10	10
Pump Outlet Maximum (A)	8	8	8
Cell Voltage (V)	21	21	21
Degree of Protection	IP23	IP23	IP23

• All units are equipped with a 3 Amp self-resetting fuse.



Commercial Blowers



ESAM BLOWERS

Made in Italy, ESAM Side Channel Blowers are renowned for their reliability and precision engineering. At ESAM, there is no such thing as 'batch testing'; with every side channel blower tested to the extreme conditions under which it is likely to operate. Backed by a 5-year warranty, you can rest assured that no matter what your applications, from domestic spas through to large scale commercial pools, water treatment and aquaculture, ESAM is your trusted air technology partner.

Spa Equipment and Accessories

ESAM 3 Phase Side Channel Blowers 50hz

Product Description	DELTA			STARS		Max. Air Flow m ³ /hr	Max. Pressure mbar	Inlet/Outlet Ports
	kW	Volts	Amps	Volts	Amps			
UNI JET 40	0.2	200-240	1.5	345-415	0.85	40	+90	1¼"
UNI JET 75	0.4	200-240	2.3	345-415	1.35	80	+145	1¼"
UNI JET 75 2V	0.75	200-240	3.4	345-415	1.95	80	+215	1½"
TECNO JET II/s	0.75	200-240	4.2	345-415	2.4	135	+140	1½"
TECNO JET 2V LHT	1.5	200-240	7.1	345-415	4.1	135	+255	1½"
FLUX JET 80	1.1	200-240	5.2	345-415	3	200	+145	1½"
FLUX JET	1.5	200-240	6.9	400	4	200	+185	1½"
FLUX JET	2.2	230	9	400	5.2	200	+265	1½"
FLUX JET 2V LHT	2.2	230	9	400	5.2	200	+265	2"
MEDIO JET	2.2	230	9	400	5.2	330	+185	2"
MEDIO JET	3	230	11.8	345-415	6.8	330	+245	2"
MEDIO JET 350	4	200-240	16.7	345-415	9.7	340	+290	2"
MEDIO JET LHT	4	200-240	16.7	345-415	9.7	330	+295	2"
MEDIO JET 2V	4	200-240	16.7	345-415	9.7	330	+260	2"
MEDIO JET 2V LHT	5.5	200-240	22.5	345-415	13	330	+440	2"
MEDIO JET 1AC	4	200-240	16.7	345-415	9.7	500	+105	2"
MEDIO JET 1AC	5.5	200-240	22.5	345-415	13	500	+215	2"
UNI JET 160	4	200-240	16.7	345-415	9.7	160	+440	1½"
UNI JET 501	5.5	200-240	22.5	345-415	13	500	+245	2½"
UNI JET 501	7.5	345-415	17.8	-	-	500	+285	2½"
UNI JET 500	7.5	345-415	17.8	-	-	600	+285	2½"
UNI JET 500	9	345-415	22.3	-	-	600	+320	2½"
UNI JET 500	12.5	345-415	26.8	-	-	600	+465	2½"
UNI JET 1000	11	345-415	25	-	-	1200	+155	4"
UNI JET 1000	15	345-415	33.2	-	-	1200	+265	4"
UNI JET 1000	20	345-415	44.3	-	-	1200	+390	4"
UNI JET 1500	15	345-415	33.2	-	-	1500	+210	4"
UNI JET 1500	20	345-415	44.3	-	-	1500	+295	4"
UNI JET 2200	20	345-415	44.3	-	-	2200	+130	145mm

ESAM Single Phase Side Channel Blowers 50hz

Product Description				Max. Air Flow m ³ /hr	Max. Pressure mbar	Inlet/Outlet Ports
	kW	Volts	Amps			
UNI JET 40 SP	0.2	230	2	40	+90	1"
UNI JET 75	0.4	230	3.1	80	+145	1¼"
UNI JET 75cCSAus. 50/60Hz	0.4	115-230	6-3	80	+147	1¼"
TECNO JET IIs	0.75	230	5.5	135	+135	1¼"
FLUX JET	1.1	230	7.6	200	+145	1¼"
FLUX JET	1.5	230	10	200	+185	1½"
MEDIO JET CE	2	240	12	330	+160	2"
UNI JET 75 2V	0.8	230	4.8	80	+245	1¼"

*For Vacuum application data please contact your local Waterco branch.

Spa Equipment and Accessories

ESAM SPA BLOWERS

Part Number	Product Description	kW	Inlet/outlet size
Single Phase Side Channel Blowers 50Hz			
282635	Uni Jet 40 Sp	0.2	1"
282636	Uni Jet 75	0.4	1¼"
282637	Uni Jet 75Ccsaus. 50/60Hz	0.4	1¼"
282638	Tecno Jet Iis	0.75	1¼"
282600	Flux Jet	1.1	1¼"
282601	Flux Jet	1.5	1½"
282639	Medio Jet Ce	2	2"
282640	Uni Jet 75 2V	0.8	1¼"
3 Phase Side Channel Blowers 50Hz			
282606	Uni Jet 40	0.2	1"
282607	Uni Jet 75	0.4	1¼"
282608	Uni Jet 75 2V	0.75	1¼"
282609	Tecno Jet li/S	0.75	1½"
282610	Tecno Jet 2V Lht	1.5	1½"
282611	Flux Jet 80	1.1	1½"
282612	Flux Jet	1.5	1½"
282613	Flux Jet	2.2	1½"
282614	Flux Jet 2V Lht	2.2	1½"
282615	Medio Jet	2.2	2"
282616	Medio Jet	3	2"
282617	Medio Jet 350	4	2"
282618	Medio Jet Lht	4	2"
282619	Medio Jet 2V	4	2"
282620	Medio Jet 2V Lht	5.5	2"
282621	Medio Jet 1Ac	4	2"
282622	Medio Jet 1Ac	5.5	2"
282623	Uni Jet 160	4	1½"
282624	Uni Jet 501	5.5	2½"
282625	Uni Jet 501	7.5	2½"
282626	Uni Jet 500	7.5	2½"
282627	Uni Jet 500	9	2½"
282628	Uni Jet 500	12.5	2½"
282629	Uni Jet 1000	11	4"
282630	Uni Jet 1000	15	4"
282631	Uni Jet 1000	20	4"
282632	Uni Jet 1500	15	4"
282633	Uni Jet 1500	20	4"
282634	Uni Jet 2200	20	145 mm



Uni Jet 75



Uni Jet 75 2V



Techno Jet



Techno Jet 2V



Flux Jet



Medio Jet

Spa Equipment and Accessories

ESAM ACCESSORIES

Part Number	Product Description	Suitable for
Pressure Relief Valves		
282735	1½" Pressure Relief Valve	Pre-set to Flux Jet 1.1kW
282736	1½" Pressure Relief Valve	Pre-set to Flux Jet 1.5kW
282685	1½" Pressure Relief Valve	Tecno Jet / Flux Jet / Uni Jet 75 / 2V
282686	1½" Pressure Relief Valve	Uni Jet 160
282687	2" Pressure Relief Valve	Medio Jet / 2V
282688	3" Pressure Relief Valve	Medio Jet 1Ac / Uni Jet 500 / 501 / 1000 / 1500 / 2200
Inlet Filters		
1" Filters		
282647	1" Complete Inlet Filter	Uni Jet 40
282648	1" Complete Inlet Filter with Silencer	Uni Jet 40
282649	1" Polyester Cartridge Filter	Suits Part #282647
1¼" Filters		
282650	1¼" Complete Inlet Filter	Uni Jet 75 / 2V
282652	1¼" Complete Inlet Filter with Silencer	Uni Jet 75 / 2V
282653	1¼" Polyester Cartridge Filter	Suits Part # 282650
282654	1¼"-1½" Polyester Cartridge Filter	Suits Part # 282652
1½" Filters		
282655	1½" Complete Inlet Filter	Tecno Jet / Flux Jet / Uni Jet 160 / 2V
282656	1½" Complete Inlet Filter (5 Micron)	Tecno Jet / Flux Jet / Uni Jet 160 / 2V
282657	1½" Complete Inlet Filter with Silencer	Tecno Jet / Flux Jet / Uni Jet 160 / 2V
282658	1½" Polyester Cartridge Filter	Suits Part # 282655
2" Filters		
282659	2" Complete Inlet Filter	Flux Jet / Medio Jet / 1Ac / 2V
282660	2" Complete Inlet Filter	Flux Jet / Medio Jet / 1Ac / 2V
282661	2" Complete Inlet Filter with Silencer	Flux Jet / Medio Jet / 1Ac / 2V
282662	2" Polyester Cartridge Filter	Suits Part # 282659
282663	2"- 2½" Polyester Cartridge Filter	Suits Part # 282661, 282665, 282660, 282666
2½" Filters		
282664	2½" Complete Inlet Filter	Uni Jet 500 / 501
282665	2½" Complete Inlet Filter with Silencer	Uni Jet 500 / 501
282666	2½" Complete Inlet Filter	Uni Jet 500 / 501
282667	2½" Polyester Cartridge Filter	Suits Part # 282664
4" Filters		
282668	4" Complete Inlet Filter	Uni Jet 1000 / 1500
282669	4" Complete Inlet Filter with Silencer	Uni Jet 1000 / 1500
282670	4"- 6" Paper Cartridge Filter	Suits Part # 282669, 282672
282671	4" Paper Cartridge Filter	Suits Part # 282668
6" Filters		
282672	6" Complete Inlet Filter with Silencer	Uni Jet 2200
282673	6" Complete Inlet Filter & Suction Filter	Uni Jet 2200
282674	6" Paper Cartridge Filter	Suits Part # 282673





Commercial Aquatics Accessories



Multicyclone Ultra Vac Portable Filtration Cart

- ▶ Introducing Waterco's latest product release
- ▶ State of the art mobile cleaning trolley featuring the award winning multicyclone technology.
- ▶ Call for further details



WATERCO
water, the liquid of life

www.waterco.com

COMMERCIAL AQUATICS ACCESSORIES

For a full range of Waterco's pool accessories, please see our website and current price book

Multicyclone Ultra Vac Portable Filtration Cart



ULTRAVAC SERVICE TROLLEY W/AU PLUG

Part Number	Product Description	Nominal Size
326401	Ultravac Service Trolley W/AU Plug	100mm

The MultiCyclone Ultra Vac portable filtration cart is a versatile filtration solution for every service need. It gives you the ability to vacuum your swimming pool, water feature, pond or fountain with a portable pump and filter - without losing valuable water.

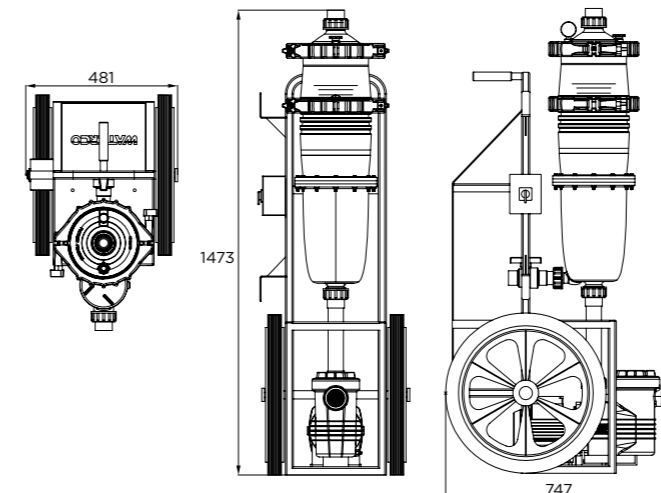
Product Feature & Benefits:

- **Award winning Multicyclone technology.**
- **Integrated pleated filter cartridge.**
- **Extended filter cleaning cycles and increased filter cartridge life span.**
- **Supastream self-priming pump.**
- **Powder-coated structural steel trolley with large wheels for easy maneuverability.**
- **Built in safety protection.**

- Sturdy cart construction: Constructed from strong structural steel tubing and powder coated for protection, capable of lasting many years.
- User-friendly design: Large wheels make it easy to navigate steps and uneven terrain such as gravel and a built-in shelf enables easy access to test kits for service technicians.
- The vacuum hose is easily fitted to the quick connect hose adaptors.
- Protective foot pads: Protective footpads, ensure you don't damage pool surrounds and paving.
- Self-priming pump: Supastream self-priming energy-efficient pump equipped with Waterco's innovative secondary seal for extra motor protection.
- Safety protection: The Ultra Vac comes standard with a 10m power cord while an RCD (residual current device) and isolator provide peace of mind safety protection.
- Pleated filter cartridge; its pleated filter cartridge is constructed from heavy-duty polyester filter fabric with deep pleats for long service life.
- This Portable Filtration Cart features the award-winning MultiCyclone, which removes up to 80 per cent of the incoming dirt load before it reaches the cartridge filter. It means you can vacuum for up to 5 times longer when compared to similar portable Vac systems.
- Simple maintenance: The MultiCyclone is easily cleaned by opening its purge valve. Only 15 litres of water is discharged to cleanse the MultiCyclone.



Dimensions (mm)



Note: Standard Ultravac comes with a 0.5Hp Supastream pump and Multicyclone Plus MC12 (40 ft² cartridge). Other combinations available upon request. Vacuum hose is not supplied.

Waterco's Pool Cleaning Accessories

Waterco has redesigned its cleaning accessories to improve hydraulic efficiency and simplify pool maintenance.



Aqua Finger® makes cleaning smooth surface pools easier and quicker as more surface area is covered by its high density microfibre attachment.

Multi Purpose Microfibre Broom

- Large surface area for effective cleaning
- Can also be used to clean glass fencing, pool covers and windows



Brush Vacuum Head Pro
• Brush and vacuum the pool floor



Flexible Vacuum Head Pro
• Weighted for optimum hydraulic balance



Algae Brush Pro
Designed to cut open the hard membranes of "Black Spot" algae.

Algae Broom Pro
Large design to take on the largest Pool Algae problems.



Pool Broom Pro
The broom's curved ends make it easier to sweep around the corners of the pool.



Leaf Rake Pro
The rake's leading edge lifts debris up and flicks it into the net.

Designed for many years of functional use, Waterco's pool cleaning accessories are manufactured from the highest quality U.V. stabilised plastics.

COMMERCIAL AQUATICS ACCESSORIES

For a full range of Waterco's pool accessories, please see our website and current price book



PVC/ABS

Part	Material
Lid & Body	ABS
Water Inlet	Brass



Waterco Main Drains are manufactured using the highest quality, impact resistant thermoplastic (ABS plastic). Main Drain incorporates a Hydrostatic valve. This valve will safeguard and stop your pool from lifting out of the ground or "popping" when the water level is low or when there is water under the pool. The long ground water spear detects underground water at a greater depth and causes the hydrostatic valve to release it before it can build up to a level that may damage your pool.

- Available in grey, white and beige.



Floor Inlet

AUTO WATER LEVELLER

Part Number	Product Description
29319	Auto Water Leveller MK2

Waterco's Automatic Water Leveller adds to the leisure time of the pool owner by eliminating the need to keep an eye on the water level.

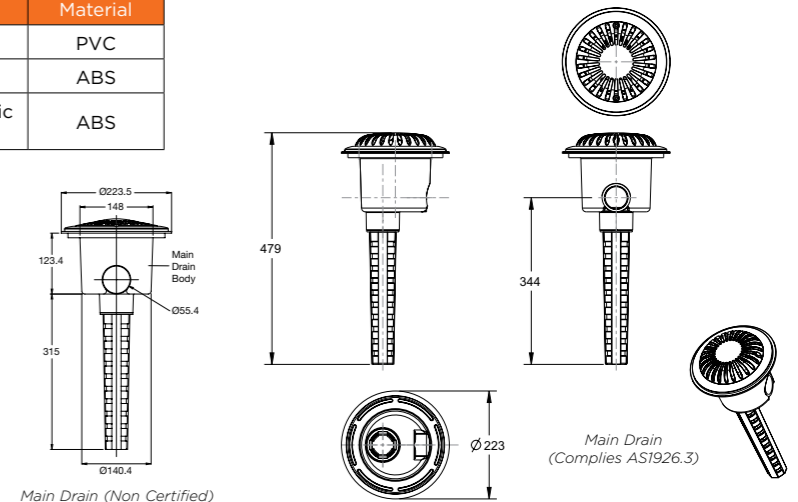
- Fully automatic operation
- Overflow connection
- Child resistant lock down lid assembly
- Simple servicing and connection

Water Inlet	1/2"
Float Valve	3/8"
Overflow	25mm
Water Inlet	40mm

MAIN DRAINS

Part Number	Product Description	Nominal Size	
293002	Waterco Main Drain - grey c/w valve and stem	Grey	
29300	Waterco Main Drain - white c/w valve and stem	White	
293000	Waterco Main Drain - white c/w valve and stem [Certified AS1926.3]	White	
29308	Waterco Main Drain - beige - c/w valve and stem	Beige	
29301	Body		
326404	AQUEA MAIN DRAIN COMPLETE - white c/w valve and stem	White	50mm
326405	AQUEA MAIN DRAIN COMPLETE - white c/w valve and stem (Grey Lid)	White/Grey	
326406	AQUEA PEBBLE M/DRAIN COVER & RING WHITE	White	
326407	Main DRAIN 29300 +AQUEA 326406 COVER & RING		
29302	Hydrostatic Valve		
29304	Main Drain Stem		
293030	Cover & Dress Ring (grey)	Grey	
29303	Cover & Dress Ring (white)	White	
293033	Cover & Dress Ring (MKII)		
29307	Cover & Dress Ring (beige)	Beige	
29313	Grease Plate Hydrovalve		
29314	Lid for grease plate		
291701	Floor Inlet - Adjustable	40mm x 50mm	
2917013	Floor Inlet - Repair Kit		
29315	Grease Plate - body only		

Part	Material
Body	PVC
Lid	ABS
Hydrostatic Stem	ABS



COMMERCIAL AQUATICS ACCESSORIES

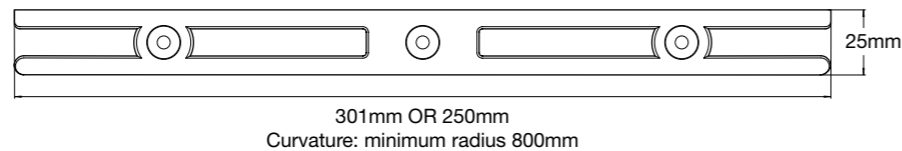
For a full range of Waterco's pool accessories, please see our website and current price book



FLUSH DECK GRATING

Part Number	Product Description	Nominal Size
900302W	Flush Deck Grating c/w wave pattern with Waterco logo 41 per metre	301mm wide
900303W	Flush Deck Grating c/w wave pattern with Waterco logo 41 per metre	250mm wide
900304	Flush Deck Grating - Plain without logo 41 per metre	301mm plain
900305	Flush Deck Grating - Plain without logo 41 per metre	250mm plain

- Modular section – easy fitting especially around curves and bends
- Moulded pattern surface – non slip surface
- Flush fitting – no protrusion to pool surround
- Safe even water flow – maximum surface skimming



- Available as 40 or 50mm pipe, slip fit for concrete and threaded for fibreglass pool applications.
- Low profile for minimal intrusion into the pool
- Suction area of 7500mm²
- Available in clear, black, white and grey
- Also available in white with 50mm threaded tail
- Testing accordance with AS1926.3 2010



Waterco Slip Fit Clear

Waterco Threaded Clear with Nut

SUCTIONS

Part Number	Product Description	Carton Qty	Nominal Size
SUCTIONS CONCRETE - Certified to AS1926.3			
4534962	Waterco Slip Fit Clear	45	40mm
4534972	Waterco Slip Fit Clear	45	50mm
4534961	Waterco Slip Fit Grey	45	40mm
4534971	Waterco Slip Fit Grey	45	50mm
453496	Waterco Slip Fit White	45	40mm
453497	Waterco Slip Fit White	45	50mm
453494	Waterco Slip Fit Black	45	40mm
4534970	Waterco Slip Fit Black	45	50mm

Part Number	Product Description	Carton Qty	Nominal Size
SUCTIONS FIBREGLASS - Certified to AS1926.3			
4534982	Waterco Threaded Clear with Nut	30	40mm
4534992	Waterco Threaded Clear with Nut	30	50mm
4534980	Waterco Threaded Black with Nut this is a 40mm Fibreglass pool suction fitting	72	40mm
ASF500	Waterco Threaded Black with Nut 40mm Supa Suction same as ASF480 but black	72	40mm
ASP211	Waterco Threaded Grey with Nut 40mm Glue Fit Spa Suction same as ASF523 but Grey	60	40mm
4534980	Waterco Threaded Black with Nut	30	40mm
4534990	Waterco Threaded Black with Nut	30	50mm
4534981	Waterco Threaded Grey with Nut	30	40mm
4534991	Waterco Threaded Grey with Nut	30	50mm
453498	Waterco Threaded White with Nut	30	40mm
453499	Waterco Threaded White with Nut	30	50mm

COMMERCIAL AQUATICS ACCESSORIES

For a full range of Waterco's pool accessories, please see our website and current price book



Slip Fit For Concrete Pools

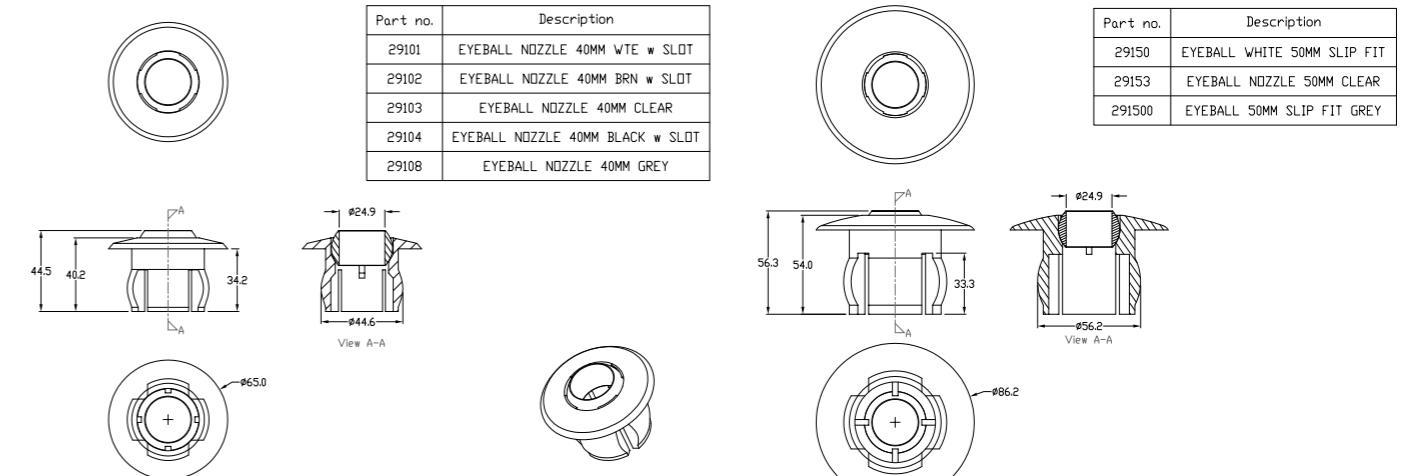


Multi Directional Eyeball (Clear) Slipfit for concrete

EYEBALL FITTINGS - CONCRETE POOLS

Part Number	Product Description	Carton Qty	Nominal Size
EYEBALLS - Concrete			
29103	Multi Directional Eyeball (Clear) Slipfit for concrete		CL9/40mm
29153	Multi Directional Eyeball (Clear)		CL9/50mm
29108	Multi Directional Eyeball (Grey)		CL9/40mm
291500	Multi Directional Eyeball (Grey)	150	CL9/50mm
29101	Multi Directional Eyeball (white) (Slipfit for Concrete Pools)	400	CL9/40mm
29102	Multi Directional Eyeball (brown) (Slipfit for Concrete Pools)		CL9/40mm
29104	Multi Directional Eyeball (black) (Slipfit for Concrete Pools)		CL9/40mm
29150	Eyeball White 50mm Slip Fit		50mm

- Slip fit tail has crosshair slots for easy access into 40mm pipe
- Adjustable eyeball to assist directional flow of water
- Flush fitting wall collar
- Max flow rate: 245lpm
- Available in clear, black, grey, white and brown
- Also available in white with 50mm slip fit tail



WATERCO

water, the liquid of life

OFFICES - AUSTRALIA

NSW - Sydney (Head Office)
Tel: +61 2 9898 8600

QLD - Brisbane
Tel: +61 7 3299 9900

VIC/TAS - Melbourne
Tel: +61 3 9764 1211

WA - Perth
Tel: +61 8 9273 1900

SA/NT - Adelaide
Tel: +61 8 8244 6000

ACT Distribution
Tel: +61 2 6280 6476

OFFICES - OVERSEAS

Waterco (Europe) Limited
Sittingbourne, Kent. UK
Tel: +44 (0) 1795 521 733

Waterco (USA) Inc
Augusta, Georgia, USA
Tel: +1 706 793 7291

Waterco Canada
Boucherville, Quebec, Canada
Tel: +1 450 748 1421

Waterco (NZ) Limited
Auckland, New Zealand
Tel: +64 9 525 7570

Waterco (C) Limited
Guangzhou, China
Tel: +86 20 3222 2180

Waterco (Far East) Sdn Bhd
Selangor, Malaysia
Tel: +60 3 6145 6000

PT Waterco Indonesia
Jakarta, Indonesia
Tel: +62 21 4585 1481

Waterco International Pte Ltd
Singapore
Ph: +65 6344 2378

Waterco Vietnam Company Limited
Ho Chi Minh City, Vietnam
Tel: +84 28 3622 7780

Established since 1981, Waterco is an Australian public listed company involved in the manufacture and distribution of:

- Swimming pool/spa equipment and chemicals
- Domestic water filters, softeners and purifiers
- Commercial water treatment equipment

Waterco's research & development team have created an innovative range of award winning products.

The company's advanced fibreglass winding and pioneering plastic moulding techniques have delivered premium quality products to over 40 countries via its branches and international distributors.

www.waterco.com