



W **MULTICYCLONE**
DUO



**CENTRIFUGAL
FILTER**

10
YEAR
WARRANTY

MULTICYCLONE DUO

Effortless pool perfection with our centrifugal dual filtration system.



Enjoy crystal-clear pool water with minimal effort.

Our innovative filter combines the centrifugal filtration of MultiCyclone and cartridge filtration in a compact design, offering superior performance and convenience.

Experience the ultimate in pool filtration efficiency and enjoy more time swimming and less time on filter maintenance.

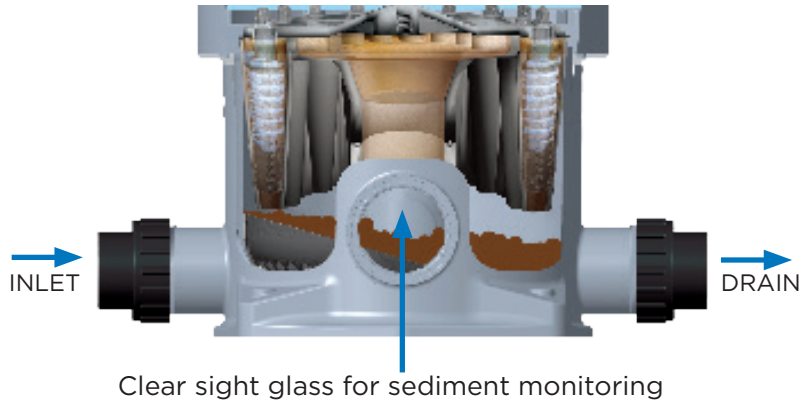




Compact, Dual Filtration

Centrifugal Filtration

Our MultiCyclone technology provides a highly effective first line of defense against large particles and debris. By harnessing the power of centrifugal force, it significantly reduces the workload on the filter cartridge.



How it Works:

- 1. Tangential entry:** Incoming water enters 16 hydrocyclones tangentially, creating a powerful centrifugal force.
- 2. Sediment separation:** Heavier particles are spun outward and spiral down to the clear sediment chamber for easy monitoring.
- 3. Clean water exit:** Clean, filtered water flows to the center of the hydrocyclone and exits.

Key Benefits:

- **Extended cartridge life:** Less debris means your cartridge filters last longer.
- **Reduced maintenance:** Fewer and replacements save you time and money.
- **Water savings:** Optimised filtration reduces water consumption.

Secure Locking Mechanism

The MultiCyclone DUO filter features a **innovative locking mechanism** designed for unparalleled convenience. With a simple **clockwise turn** of the lock ring, you can securely lock the filter in place.

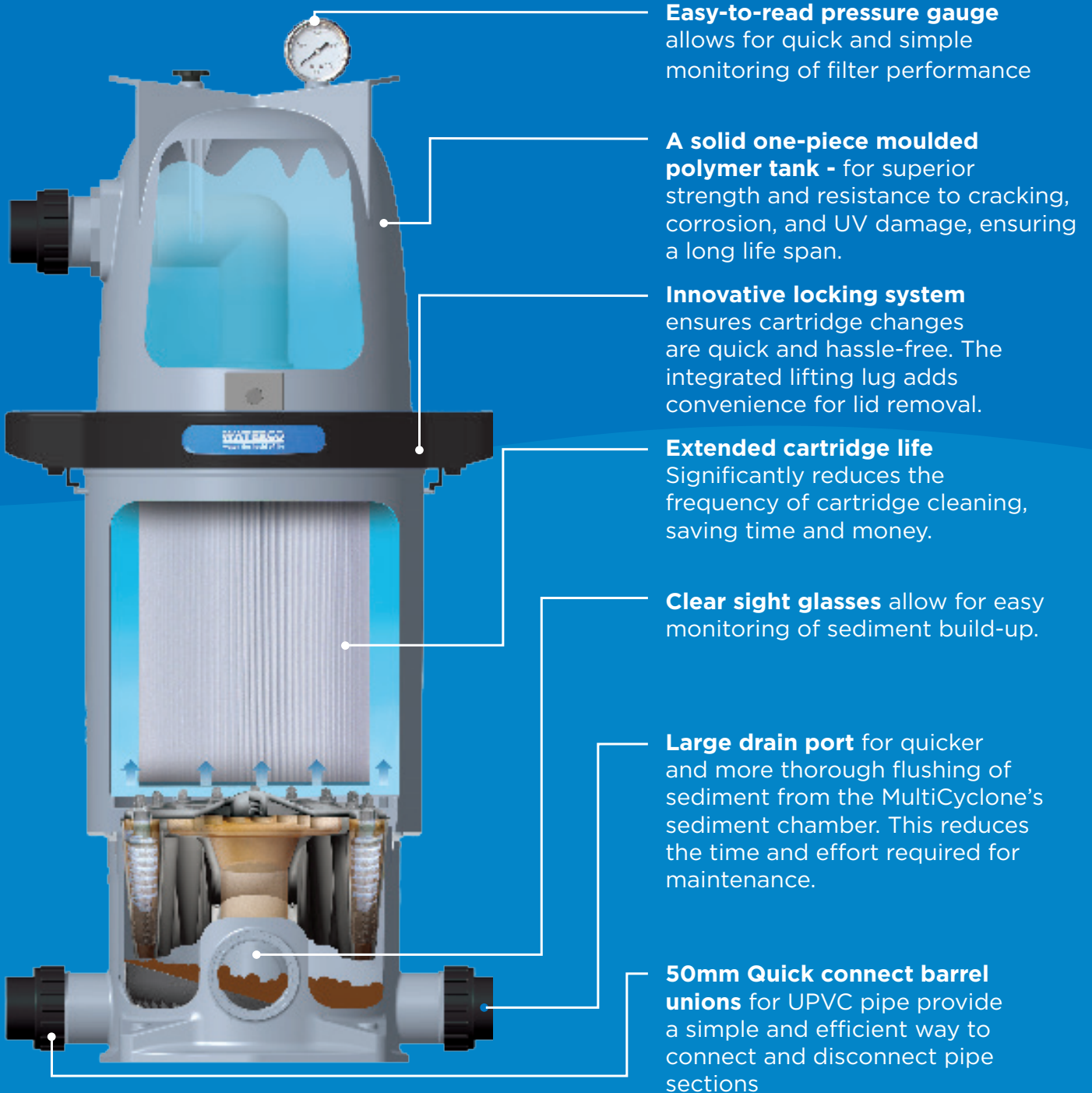
When it's time for a cartridge replacement, simply **press and hold the lock plunger** and at the same time turn the lock ring **anti-clockwise**.

The innovative **lifting lug** integrated into the lid effortlessly lifts the lid together with the lock ring, granting you quick and easy access to the filter cartridge.





MULTICYCLONE DUO



Easy-to-read pressure gauge allows for quick and simple monitoring of filter performance

A solid one-piece moulded polymer tank - for superior strength and resistance to cracking, corrosion, and UV damage, ensuring a long life span.

Innovative locking system ensures cartridge changes are quick and hassle-free. The integrated lifting lug adds convenience for lid removal.

Extended cartridge life Significantly reduces the frequency of cartridge cleaning, saving time and money.

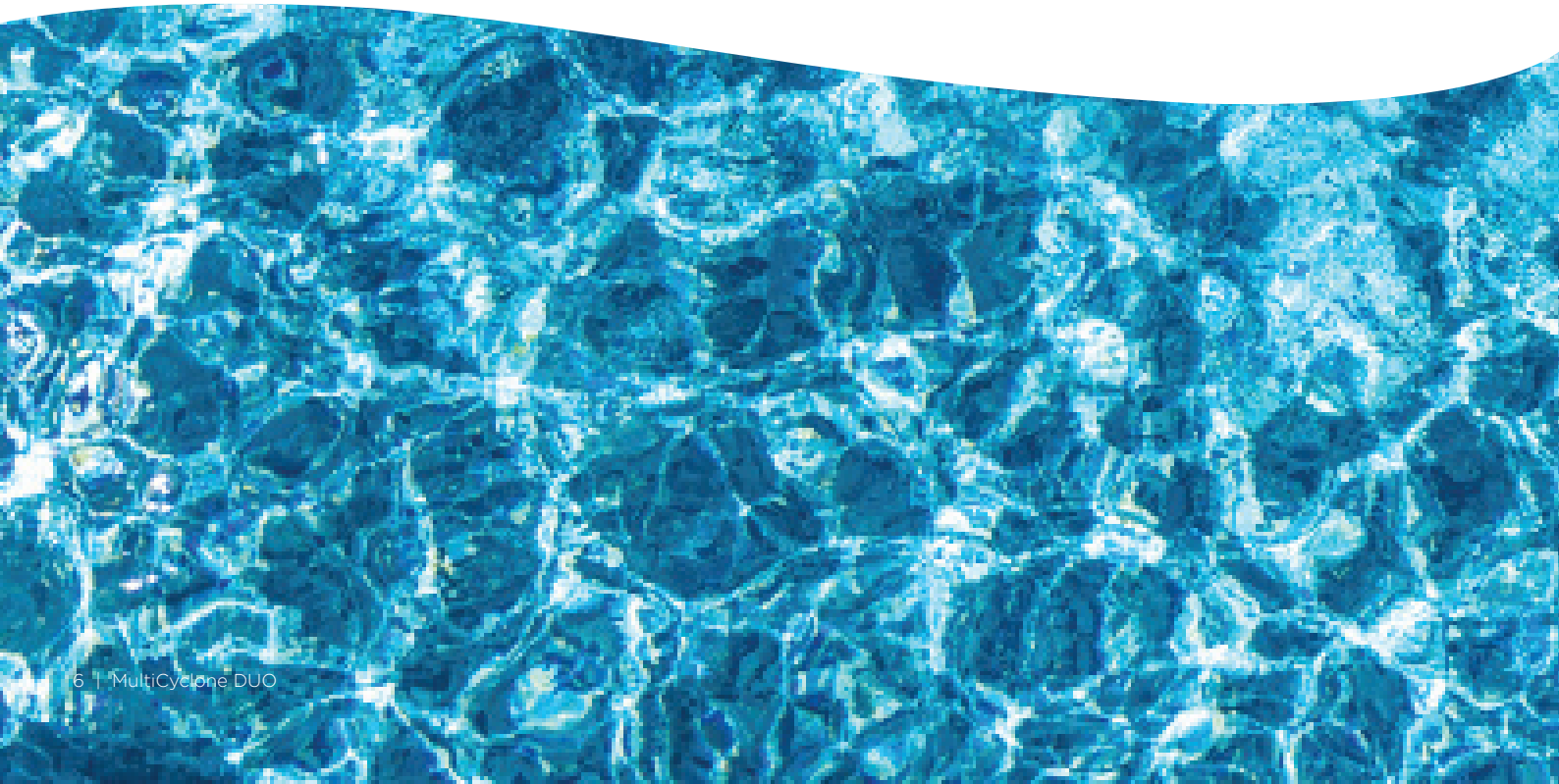
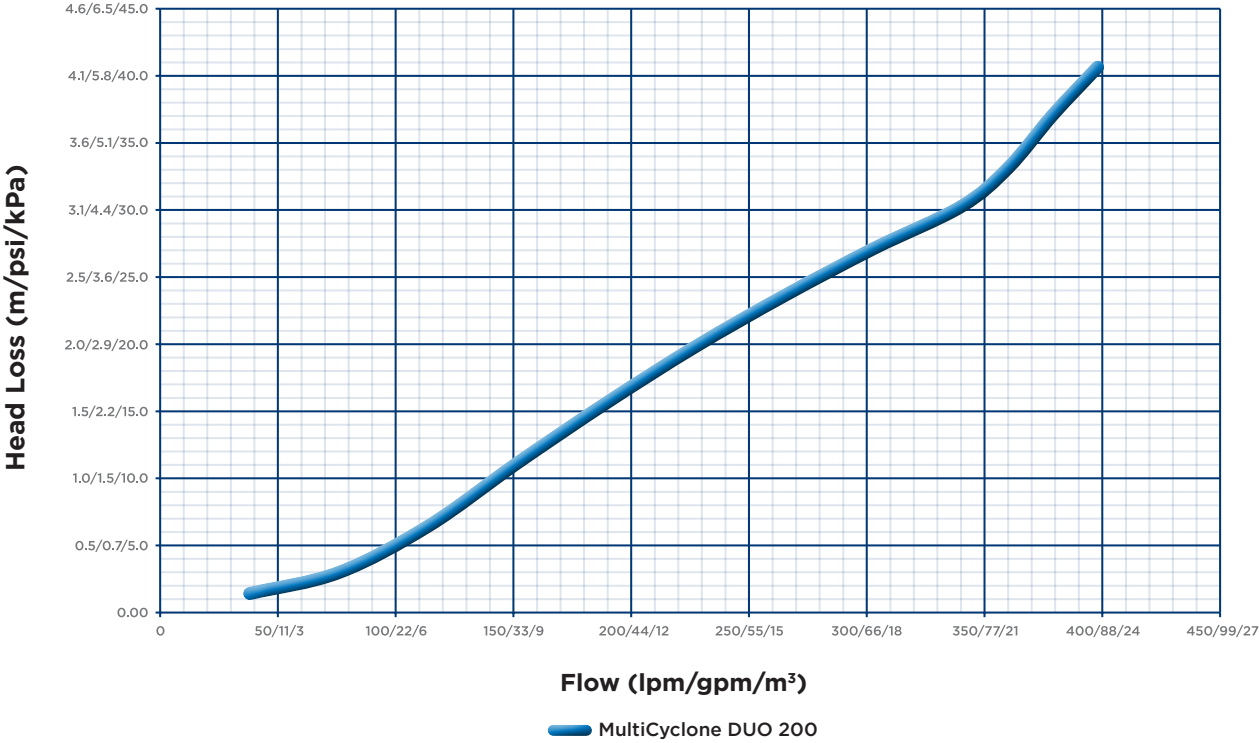
Clear sight glasses allow for easy monitoring of sediment build-up.

Large drain port for quicker and more thorough flushing of sediment from the MultiCyclone's sediment chamber. This reduces the time and effort required for maintenance.

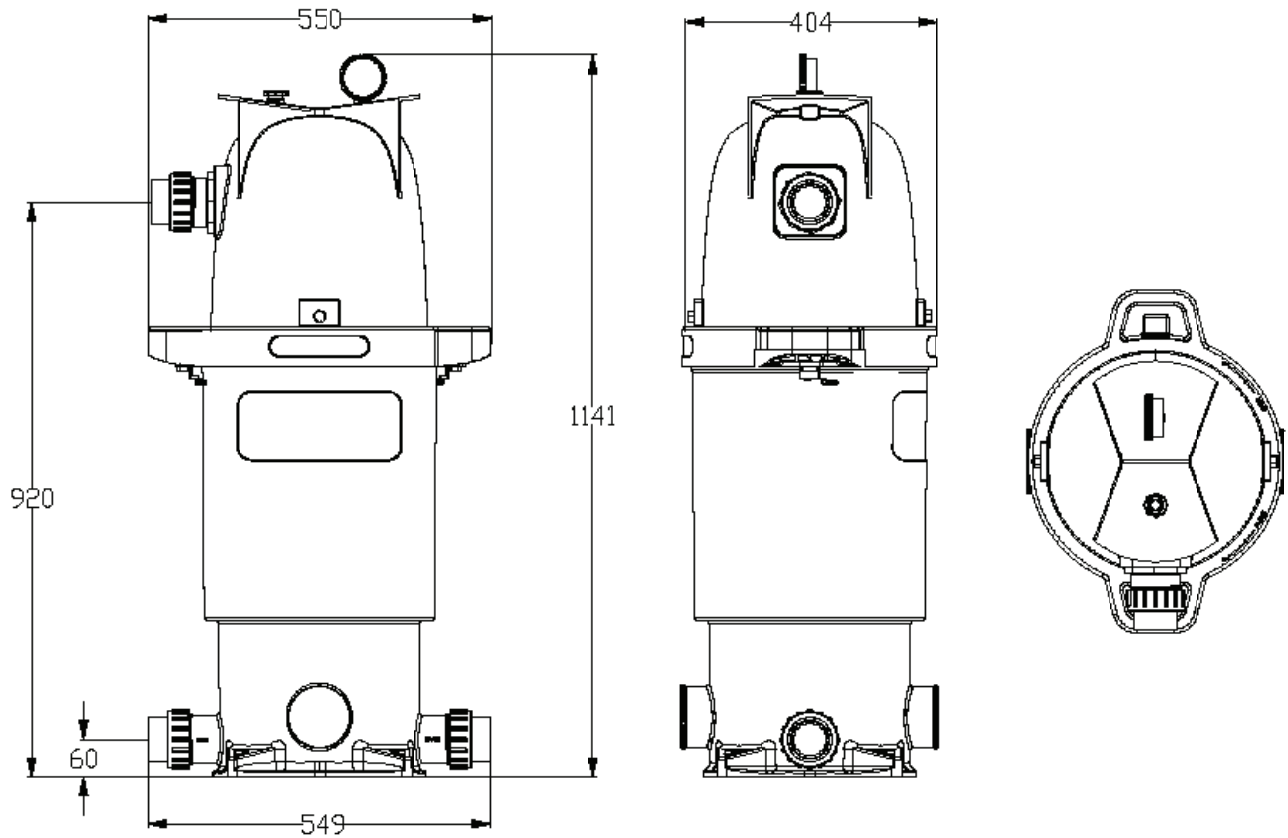
50mm Quick connect barrel unions for UPVC pipe provide a simple and efficient way to connect and disconnect pipe sections

Performance Specifications

Total Head Loss Curve



Dimensions & Specifications



Description	Connection Ports	Min. Flow	Max. Flow	Filter Area	Max. Working Pressure	Max. Temp.
MULTICYCLONE DUO 200 SQFT	50mm / 2"	50lpm (3m ³ /hr)	500lpm (30m ³ /hr)	18.5m ² (200ft ²)	350kPa (50psi)	40°C

WARRANTY

MultiCyclone DUO tank	10 Years
MultiCyclone components	3 Years
All other components & labour	1 Year
Commercial Installations	1 Year

Note: Please refer to Waterco's warranty terms and conditions

Note: When a Waterco MultiCyclone Centrifugal Water Filter is installed within a swimming pool filtration system, it is strongly recommended that no granular pool chemicals be added to the pool water through the pool skimmer box unless there is an option to bypass the MultiCyclone.

Note: All pool chemical or additives are to be added to the pool water as instructed by the manufacturer's procedures, only.

WATERCO

water, the liquid of life



Waterco pioneers reliable solutions for healthy, safe water environments, which are used in residential, commercial and industrial applications in over 40 countries.

Established in 1981, it has since become a global brand recognised for designing and manufacturing filtration and sanitisation innovations for the swimming pool, spa, aquaculture, and water purification sectors.

CONTACT WATERCO

Waterco's head office is situated in Sydney, Australia with international offices, manufacturing plants and warehouses located in Australia, New Zealand, Malaysia, Indonesia, Singapore, China, Vietnam, USA, Canada, and the UK.

OFFICES - AUSTRALIA

NSW - Sydney (Head Office)

Tel: +61 2 9898 8600

QLD - Brisbane

Tel: +61 7 3299 9900

VIC/TAS - Melbourne

Tel: +61 3 9764 1211

WA - Perth

Tel: +61 8 9273 1900

SA/NT - Adelaide

Tel: +61 8 8244 6000

ACT Distribution

Tel: +61 2 6280 6476

OFFICES - OVERSEAS

Waterco (Europe) Limited

Sittingbourne, Kent, UK
Tel: +44 (0) 1795 521 733

Waterco (USA) Inc

Augusta, Georgia, USA
Tel: +1 706 793 7291

Waterco Canada

Boucherville, Quebec, Canada
Tel: +1 450 748 1421

Waterco (NZ) Limited

Auckland, New Zealand
Tel: +64 9 525 7570

Waterco (C) Limited

Guangzhou, China
Tel: +86 20 3222 2180

PT Waterco Indonesia

Jakarta, Indonesia
Tel: +62 21 4585 1481

Waterco Singapore Intl Pte Ltd

Midview City, Singapore
Tel: +65 6344 2378

Waterco (Far East) Sdn Bhd

Selangor, Malaysia
Tel: +60 3 6145 6000

Waterco Vietnam Company Limited

Ho Chi Minh City, Vietnam
Tel: +84 28 3622 7780



www.waterco.com